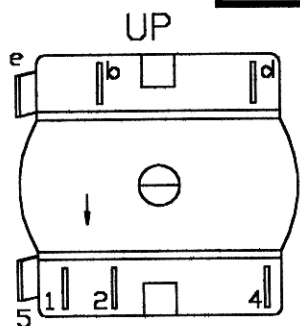
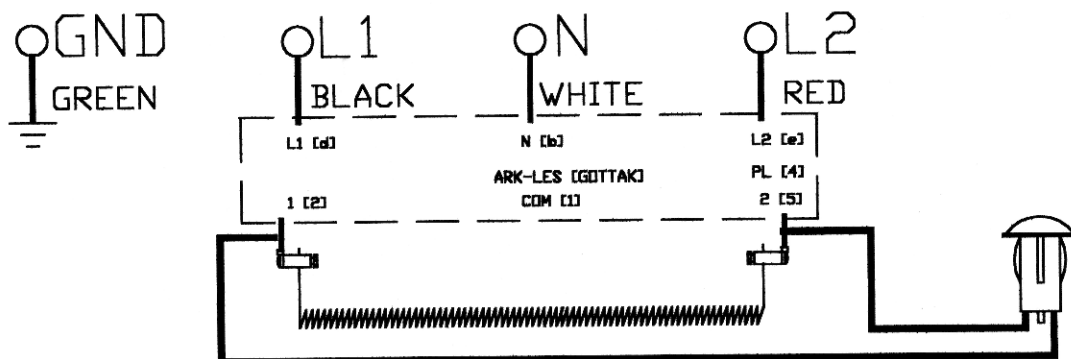
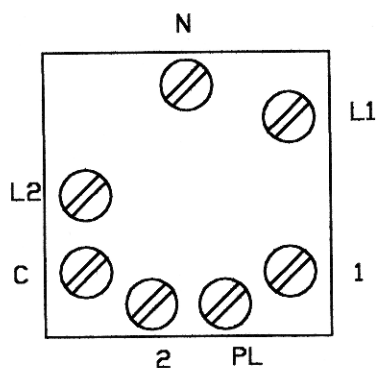


CONVERSION GUIDE FOR 4-WAY SWITCHES USED ON A MODEL KILNS SINGLE ELEMENT

TYPICAL CIRCUIT

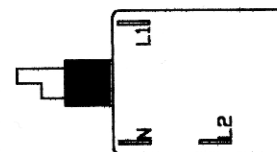
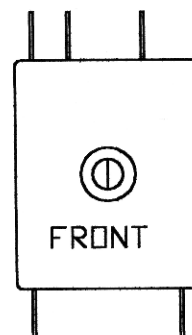
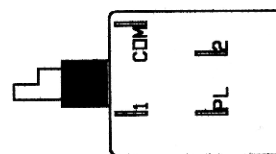


GOTTAK
SEE NOTE 1



TAAP or TAAO

TAAP TAAO	GOTTAK	ARKLES
L1	d	L1
N	b	N
L2	e	L2
1	2	1
COM	1	COM
PL	4	PL
2	5	2

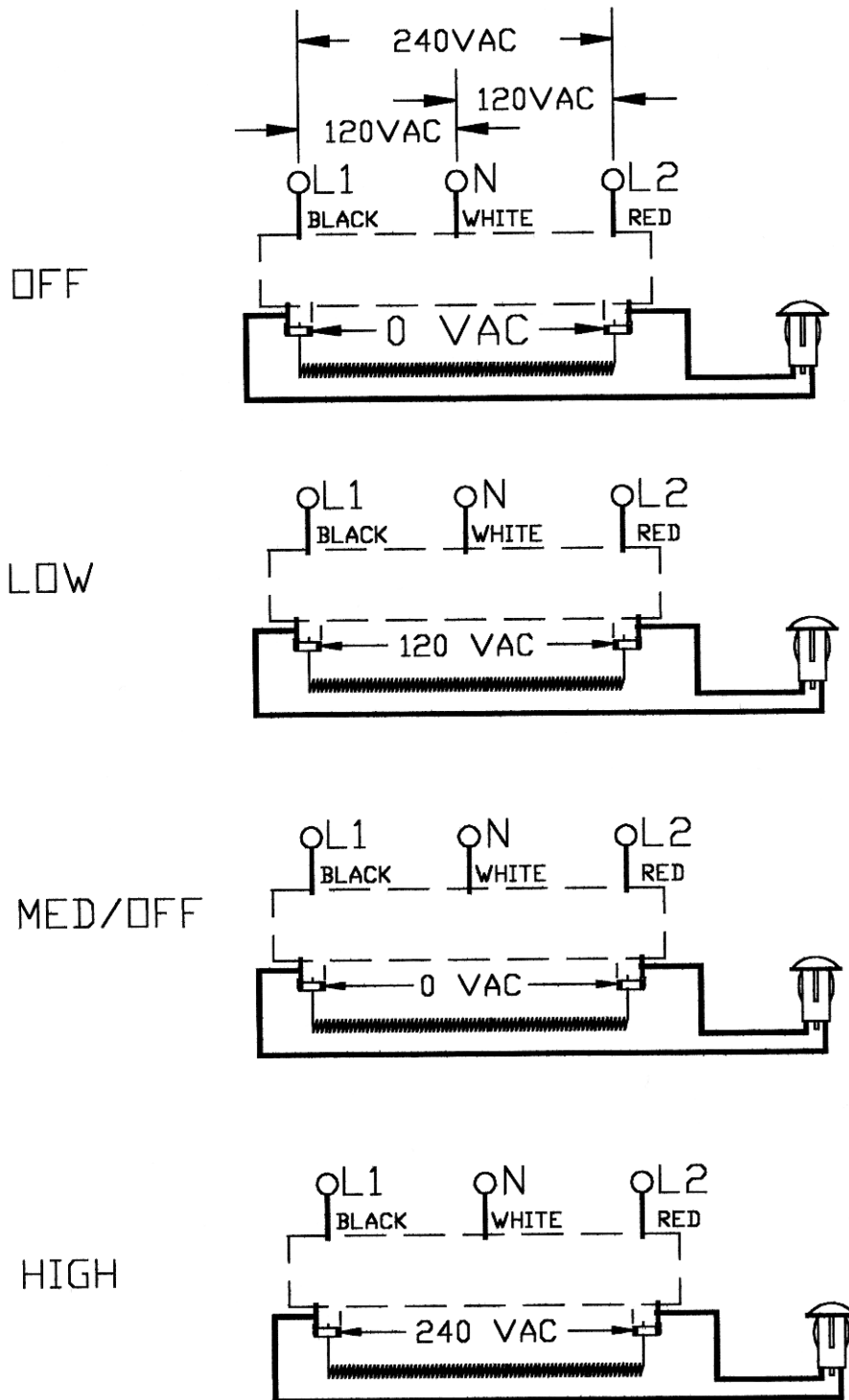


ARK-LES

NOTE:

- CHECK FOR TERMINAL CLEARANCE
SOME SWITCHES DEEPER THAN OTHERS
USE 1/4" STANDOFFS AS REQUIRED

FUNCTIONAL CHART

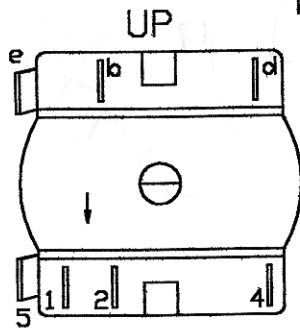
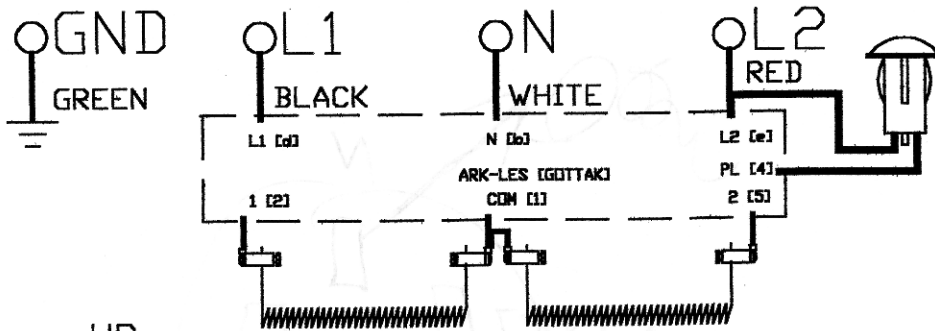


INS 1003-1
REV D 9-3-03

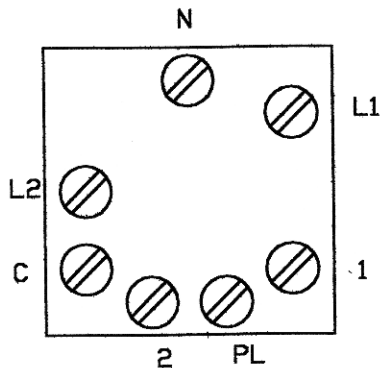
PAR A1.DWG

CONVERSION GUIDE FOR 4-WAY SWITCHES USED ON A MODEL KILNS DUAL ELEMENTS

TYPICAL CIRCUIT

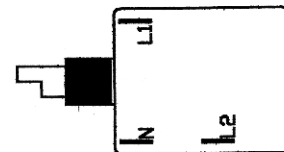
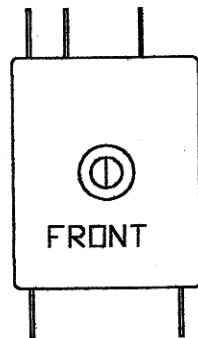
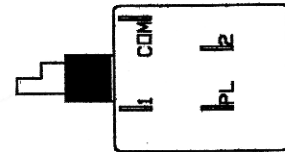


GOTTAK
SEE NOTE 1



TAAP or TAAO

TAAP TAAO	GOTTAK	ARKLES
L1	d	L1
N	b	N
L2	e	L2
1	2	1
COM	1	COM
PL	4	PL
2	5	2



ARK-LES

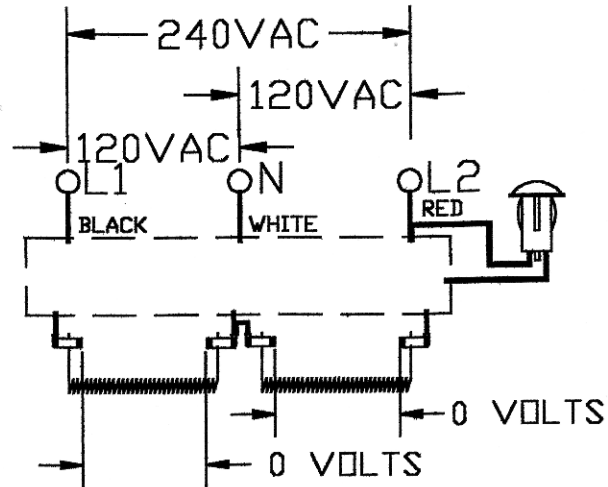
NOTE:

1 CHECK FOR TERMINAL CLEARANCE.
SOME SWITCHES DEEPER THAN OTHERS
USE 1/4" STANDOFFS AS REQUIRED.

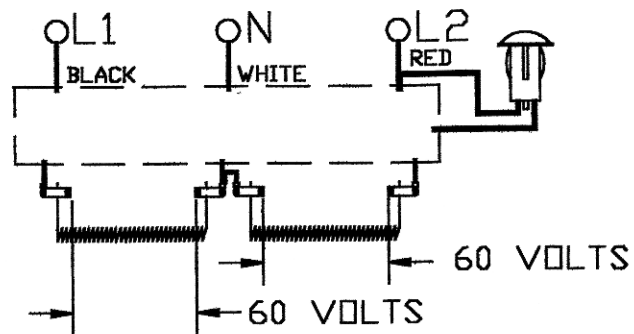
FUNCTIONAL CHART

POSITION:

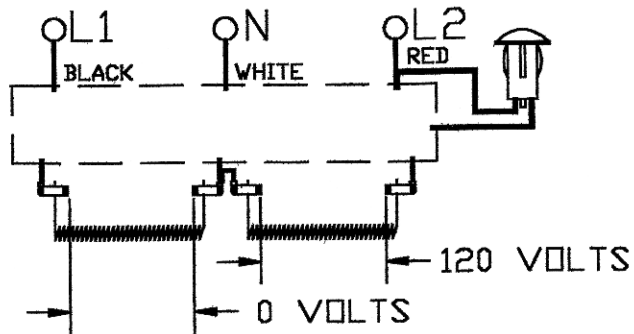
OFF



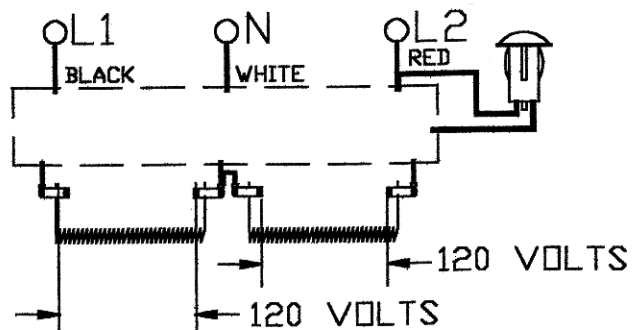
LOW



MEDIUM



HIGH



INS 1003
REV D 9-3-03

PAR A1.DWG