

CAUTION

TO PROVIDE CONTINUED PROTECTION AGAINST THE RISK OF ELECTRIC SHOCK, CUSTOMER'S POWER SUPPLY MUST BE PROPERLY GROUNDED.

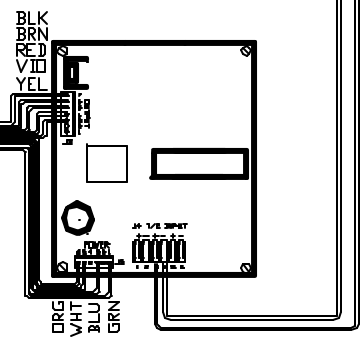
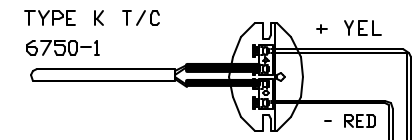
WIRING NOTE

ALL WIRES #14 AWG, TYPE SEW/SF2 MINIMUM UNLESS OTHERWISE NOTED

POWER REQ'TS

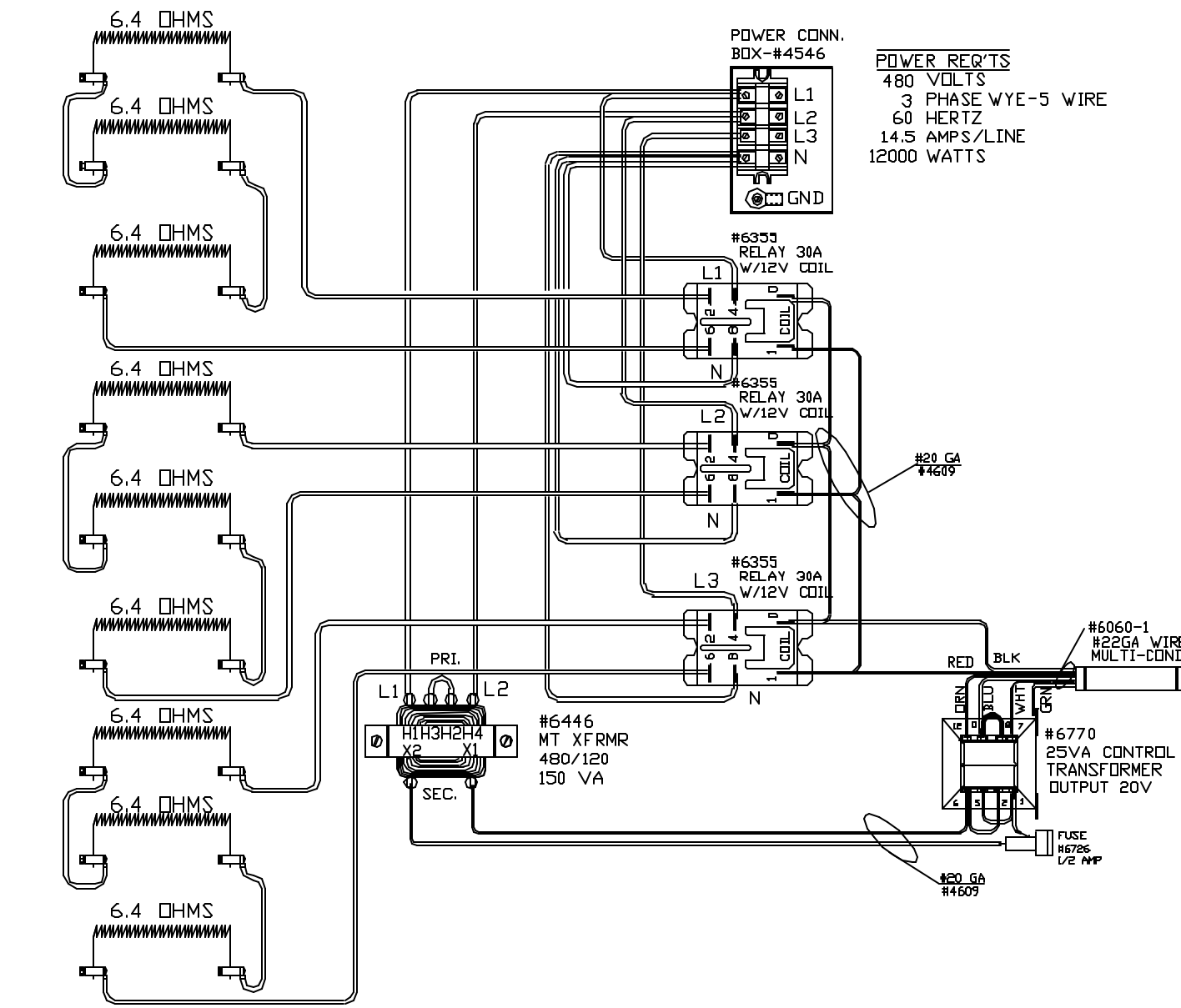
480 VOLTS
3 PHASE WYE-5 WIRE
60 HERTZ
14.5 AMPS/LINE
12000 WATTS

TO RE-ORDER ELEMENTS, SPECIFY		
DESCRIPTION	QTY	LOC
EL25H111A00S	9	TOP,BOT & MID



CONE FIRE SENTRY 2.0

CFG 21
2350° F



SWITCH BOX ASSY- 42020-27

PARAGON INDUSTRIES
2011 SOUTH TOWN EAST BLVD
MESQUITE, TEXAS 75149

WIRING DIAGRAM

480V, 3 PHASE Y, 60HZ 12000W

PART NO.	25H111A00	REV	-
	TNF-273	FILE	

REV	DATE	BY	DESCRIPTION
-	10/11/05	DTB	