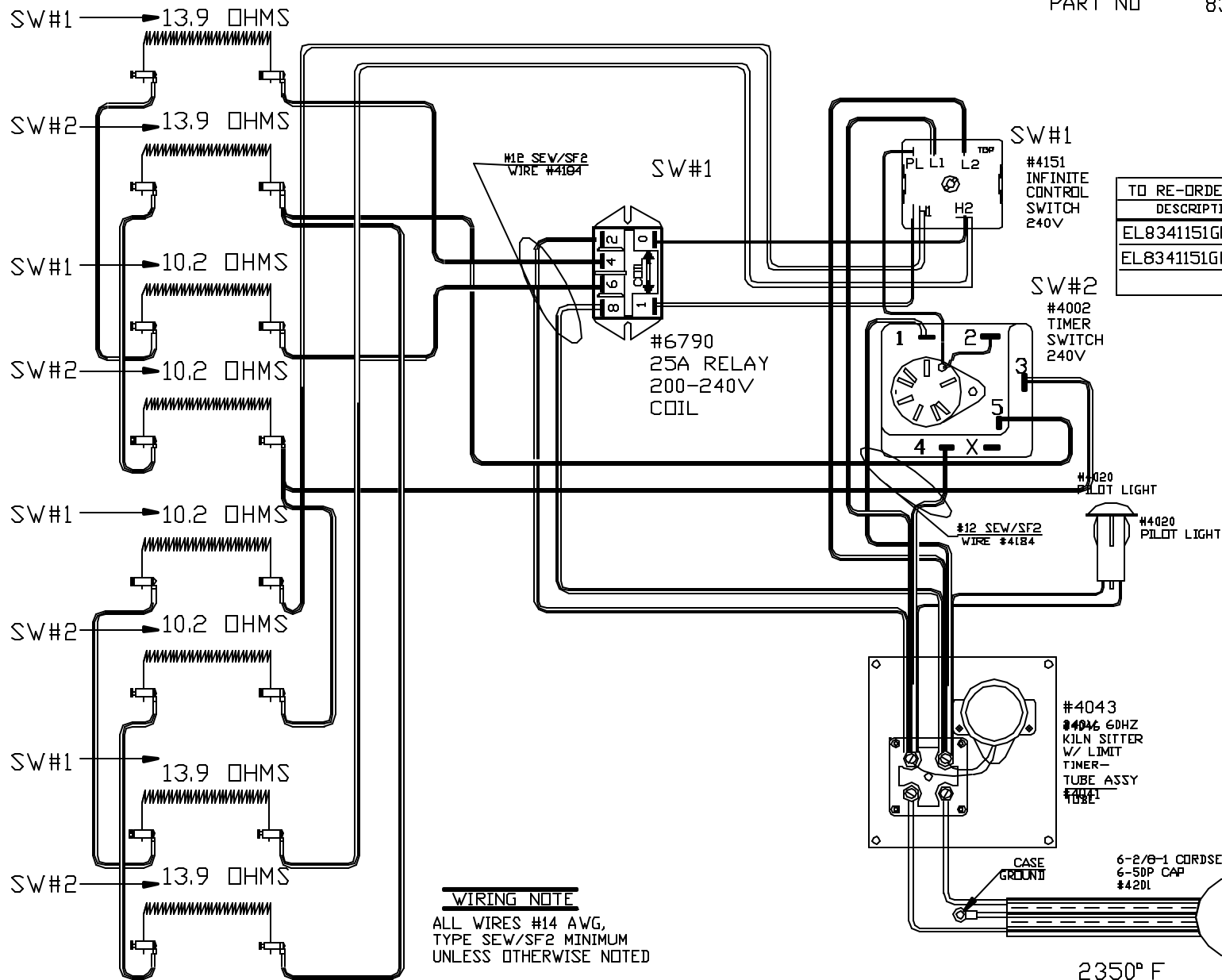


PART NO 8341151GFA



TO RE-ORDER ELEMENTS, SPECIFY		
DESCRIPTION	QTY	LOC
EL8341151GFATB	4	TOP,BOT
EL8341151GFAM	4	MID

WIRING NOTE
 ALL WIRES #14 AWG,
 TYPE SEW/SF2 MINIMUM
 UNLESS OTHERWISE NOTED

POWER REQ'TS
 208 VOLTS
 1 PHASE
 60 HERTZ
 34.5 AMPS
 7176 WATTS

2350° F
 I/C

REV	DATE	BY	DESCRIPTION
-	8/13/02	DTB	

SWITCH BOX ASSY- 40329-1
 PARAGON INDUSTRIES
 2011 SOUTH TOWN EAST BLVD
 MESQUITE, TEXAS 75149

WIRING DIAGRAM
 208V 1 PHASE 60HZ 7200WATTS

PART NO	REV
8341151GFA	-
SNF823-KSLT	FILE