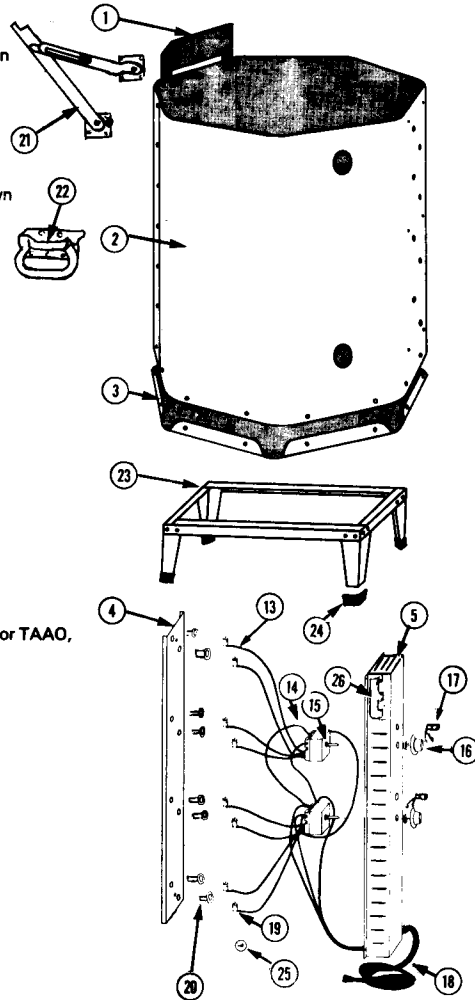
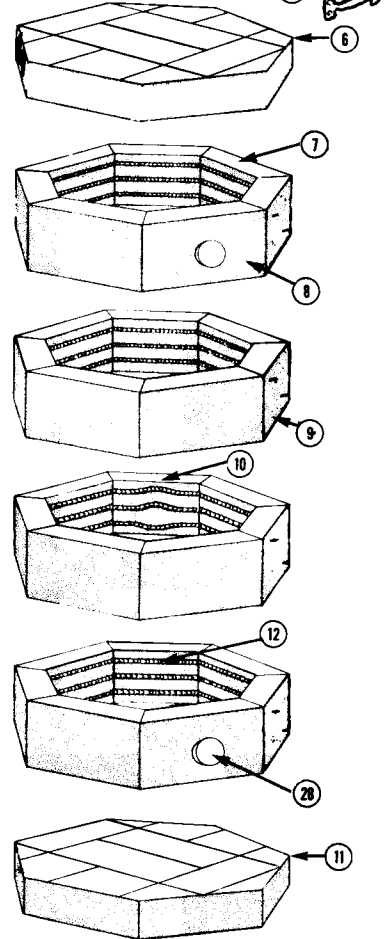


PARAGON KILN MODEL A-77B WIRING DIAGRAM AND PARTS IDENTIFICATION

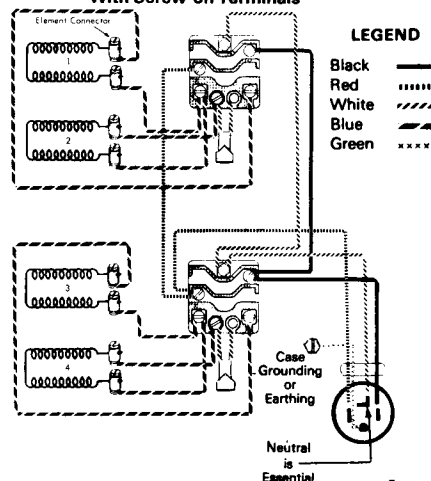
REF NO.	PART NO.	DESCRIPTION
METAL JACKET PARTS		
1.	Specify Model	Hinge, complete, gray or brown
2.	Specify Model	Form-Fitted Jacket, stainless or brown
3.	Specify Model	Full-Formed Steel Base
4.	Specify Model	Heat Shield
5.	Specify Model	Ventilated Switch Box, metal only, gray or brown
INSULATING FIREBRICK		
6.	BR-11-77	Brick Lid with Band, stainless or brown (less hardware)
7.	BR-2-77	4" Straight Grooved Wall Brick
8.	BR-4-77	4" Peephole Wall Brick
9.	BR-3-77	4" Terminal Wall brick
10.	BR-5-77	4" Kiln-Sitter Wall Brick
11.	BR-10-77	Brick Bottom, only
ELECTRICAL PARTS		
12.	EL-A-77	Heating Element for A-77B, A-77
13.	WR-2 or WR-4	#14 Switch-to-Element Lead Wires, screw-on eyelet both ends
14.	WR-6 or WR-7	#14 Switch-to-Element Lead Wires, push-on terminal one end
15.	SW-2 or SW-4	Switch, 20 amp. TAAO 4-way Rotary for screw-on terminals
16.	KN-1 or KN-3	Knob for 4-way Rotary Switch TAAP or TAAO, black center
17.	MS-7	Knob for 4-way Rotary Switch A-21 silver center
18.	CR-10	Pilot Light with Lead Wires, complete 10-4, 30 amp., 240 v., 7 ft. cord, with 4-prong plug
19.	MS-6	Element Connectors
20.	MS-1	Porcelain Insulators (1 1/8" long)
OTHER REPLACEMENT PARTS		
21.	HW-1	Lock-In Lid Support for A-series, (7 and 8 sides)
22.	HW-6	Hand Lifts for A-series
23.	ST-2	Kiln Stand
24.	ST-1	Plastic Feet, only
25.	HW-8	#8 Plated Metal Screws
26.	HW-7	Fall Away, Prop-R-Vent Kit
27.	HW-4	Lid Handle, for small A-series, (8-sided or less)
28.	PL-2	Peephole Plug, Cone Shaped for A-series



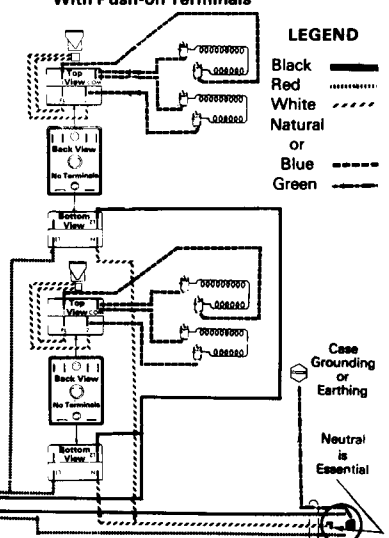
ALL LIDS MUST BE HAND-FITTED
BECAUSE OF VARIATION IN
FIRED CLAY PRODUCTS



MODEL A-77B
4-way Rotary Switch
With Screw-on Terminals



MODEL A-77B
4-way Rotary Switch
With Push-on Terminals



**WHEN ORDERING PARTS
ALWAYS SPECIFY
MODEL NUMBER,
REFERENCE NUMBER,
PART NUMBER,
AND DESCRIPTION**

For prices of parts, see your current
Paragon Kiln Catalog Price List.

All prices are F.O.B. factory, Dallas County, Texas
and are subject to change without notice.

**MERCHANDISE TO BE SHIPPED TO
ONE ADDRESS ON ONE ORDER
MUST TOTAL \$5.00 BEFORE THE
POSTAGE & HANDLING CHARGES
ARE ADDED.**

Paragon
INDUSTRIES, INC.
BOX 10133
DALLAS, TEXAS 75207

IM-12/1277

