

PARAGON KILN MODEL A-28B-3

WIRING DIAGRAM AND PARTS IDENTIFICATION

The models available for the CSA label have the kiln wiring terminated in a special box on the kiln for stationary installation.

MERCHANDISE TO BE SHIPPED TO ONE ADDRESS ON ONE ORDER MUST TOTAL \$5.00 BEFORE THE POSTAGE AND HANDLING CHARGES ARE ADDED.

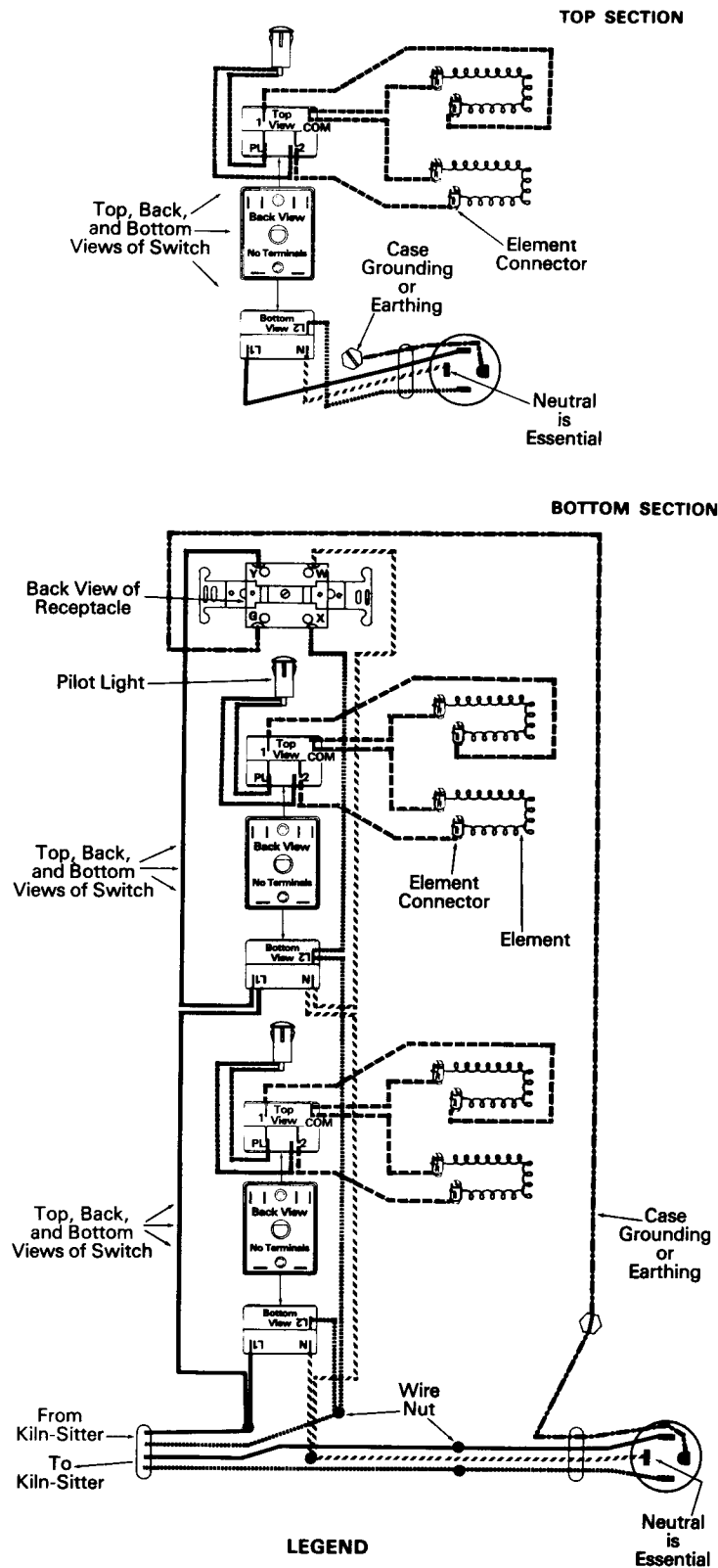
Model Numbers ending in "3" have special 3" walls. The letter "B" following the Model Number means the kiln has a stainless steel jacket.

WHEN ORDERING PARTS, ALWAYS SPECIFY MODEL NUMBER, REFERENCE NUMBER, PART NUMBER, AND DESCRIPTION



© Copyright Paragon Industries, Inc. 1977

MODEL A-28B-3 (4-way Rotary Switches with Push-on Terminals)



LEGEND

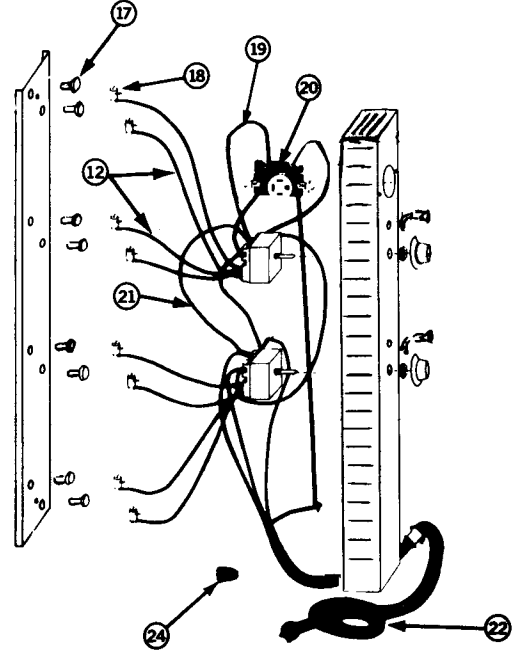
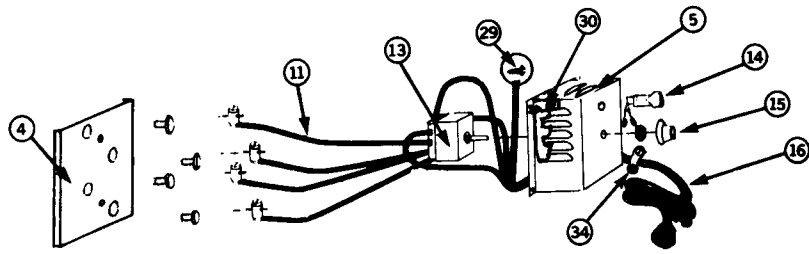
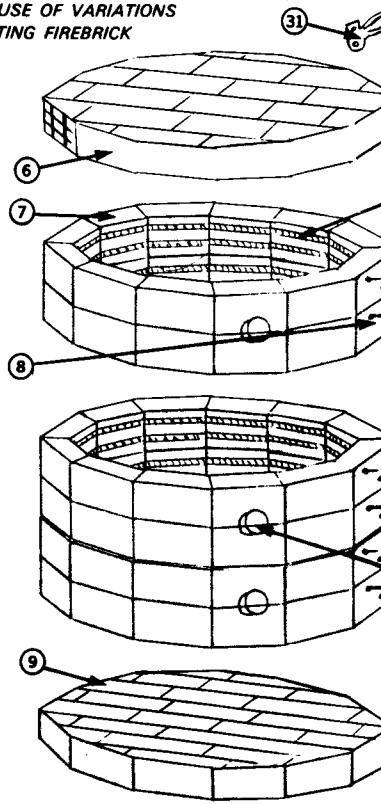
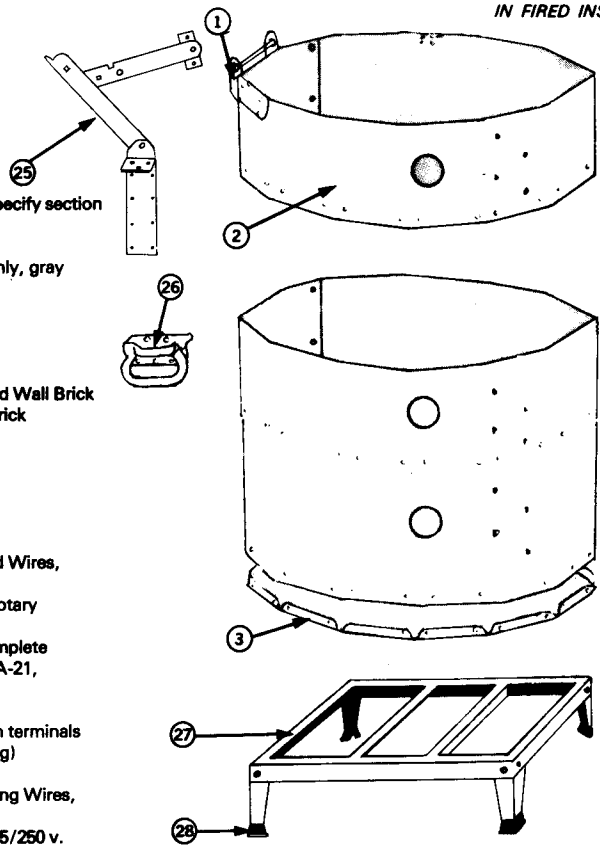
- Hot
- Hot
- Line Neutral
- Grounding or Earthing
- Pilot Light
- Switch-to-element

IM-12/2-84

ALL LIDS MUST BE HAND-FITTED
AND DRILLED TO MATCH
HINGE ON KILN, BECAUSE OF VARIATIONS
IN FIRED INSULATING FIREBRICK

PARAGON KILN MODEL A-28B-3

REF. NO.	PART NO.	DESCRIPTION
METAL JACKET PARTS		
1.	Specify Model	Hinge, complete, gray
2.	Specify Model	Form-fitted Jacket, stainless, specify section
3.	Specify Model	Full-Formed Steel Base
4.	Specify Model	Heat Shield, specify section
5.	Specify Model	Ventilated Switch Box, metal only, gray specify section
INSULATING FIREBRICK		
6.	BR-11-28	Brick Lid with Band, stainless (less hardware)
7.	BR-2-28	3" Special x 4" Straight Grooved Wall Brick
8.	BR-3-28	3" Special x 4" Terminal Wall Brick
9.	BR-10-28	Brick Bottom, only
ELECTRICAL PARTS		
10.	EL.A-28	Heating Element for A-28B-3
11.	WR-18	Switch-to-Element Lead Wires, push-on terminal one end
12.	WR-15	Double Switch-to-Element Lead Wires, push-on terminal one end
13.	SW-4	Switch, 26 amp. A-21, 4-way Rotary for push-on terminals
14.	MS-8	Pilot Light with Lead Wires, complete
15.	KN-3	Knob for 4-way Rotary Switch A-21, silver center
16.	CR-27	14-4, 240 v., 3 ft. cord with 4-prong plug and push-on terminals
17.	MS-1	Porcelain Insulators (1 1/8" long)
18.	MS-6	Element Connectors
19.	WR-17	Receptacle-to-Switch Connecting Wires, push-on terminal one end
20.	RC-1	Receptacle, 4-wire, 20 amp., 125/250 v. for kiln's switch box
21.	WR-16	Switch-to-Switch Connecting Wires, push-on terminal both ends
22.	CR-3	6-4, 60 amp., 240 v., 6 ft. cord with 4-prong plug
*23.	WR-11	Sitter-to-Switch Box Jumper Wires (not shown)
24.	MS-5	Large Wire Connectors
OTHER REPLACEMENT PARTS		
25.	HW-12	Lock-in Lid Support, for large A-series (10 sides or more)
26.	HW-6	Hand-Lifts for A-series
27.	ST-5	Kiln Stand
28.	ST-1	Plastic Feet, only
29.	HW-8	#8 Plated Metal Screws
30.	HW-7	Fall Away Prop-R-Vent Kit
31.	HW-5	Lid Handle, for large A-series
32.	PL-2	Peephole Plug, Cone Shaped for A-series
*23.	Specify Model	Conduit for Kiln Sitter Wires (not shown)
34.	Specify Model	Cord Clamp



*Only for kilns equipped with kiln sitter.

**WHEN ORDERING PARTS,
ALWAYS SPECIFY
MODEL NUMBER,
REFERENCE NUMBER,
PART NUMBER,
AND DESCRIPTION**

For prices of parts, see your current
Paragon Kiln Catalog Price List.
All prices are F.O.B. factory, Dallas County, Texas
and are subject to change without notice.

**MERCHANDISE TO BE SHIPPED TO ONE ADDRESS
ON ONE ORDER MUST TOTAL \$5.00 BEFORE
THE POSTAGE AND HANDLING CHARGES ARE ADDED.**