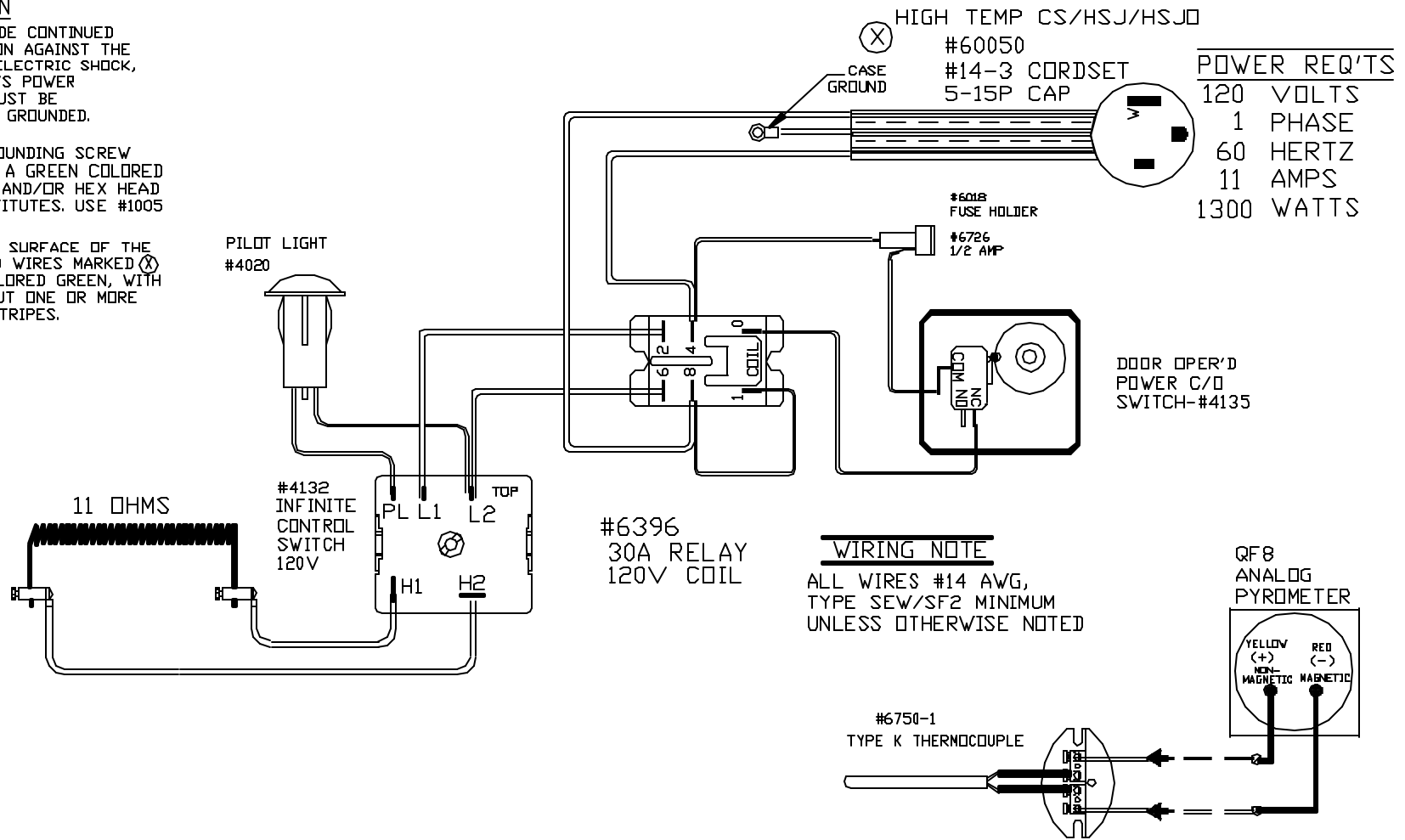


CAUTION

TO PROVIDE CONTINUED PROTECTION AGAINST THE RISK OF ELECTRIC SHOCK, CUSTOMER'S POWER SUPPLY MUST BE PROPERLY GROUNDED.

NOTE: GROUNDING SCREW TO HAVE A GREEN COLORED SLOTTED AND/OR HEX HEAD NO SUBSTITUTES. USE #1005

NOTE: THE SURFACE OF THE INSULATED WIRES MARKED (X) TO BE COLORED GREEN, WITH OR WITHOUT ONE OR MORE YELLOW STRIPES.



WIRING NOTE

ALL WIRES #14 AWG, TYPE SEW/SF2 MINIMUM UNLESS OTHERWISE NOTED

TO RE-ORDER ELEMENTS, SPECIFY		
DESCRIPTION	QTY	LOC
EL0921261B00S	1	SIDE

NOTE: PLEASE REFER TO THIS NUMBER WHEN ORDERING PARTS FOR THIS KILN

2000°F

BLUE

TUV CERTIFIED

REV	DATE	BY	DESCRIPTION
-	9/24/09	DTB	

SWITCH BOX ASSY- 42070-12

PARAGON INDUSTRIES
2011 SOUTH TOWN EAST BLVD
MESQUITE, TEXAS 75149

WIRING DIAGRAM

120V, 1 PHASE, 60HZ, 1300WATTS

PART NO	REV
0921261B00	-
E-9 BASIC	FILE