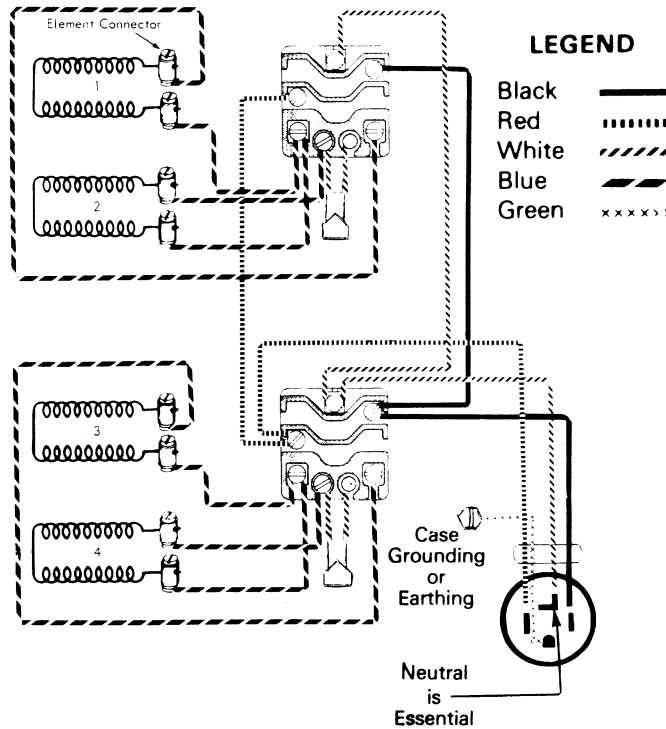
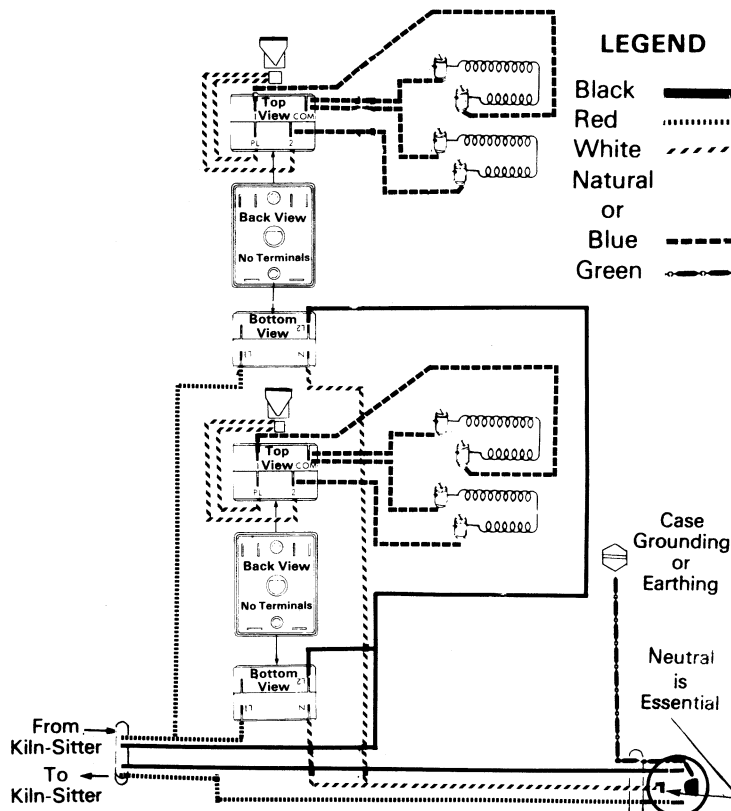


PARAGON KILN MODELS H-16A, H-16B AND H-17A, H-17B WIRING DIAGRAMS

(4-way Rotary Switches with Screw-on Terminals)



(4-way Rotary Switches with Push-on Terminals)



For prices of parts, see your current
Paragon Kiln Catalog Price List.
All prices are F.O.B. factory, Dallas County, Texas
and are subject to change without notice.