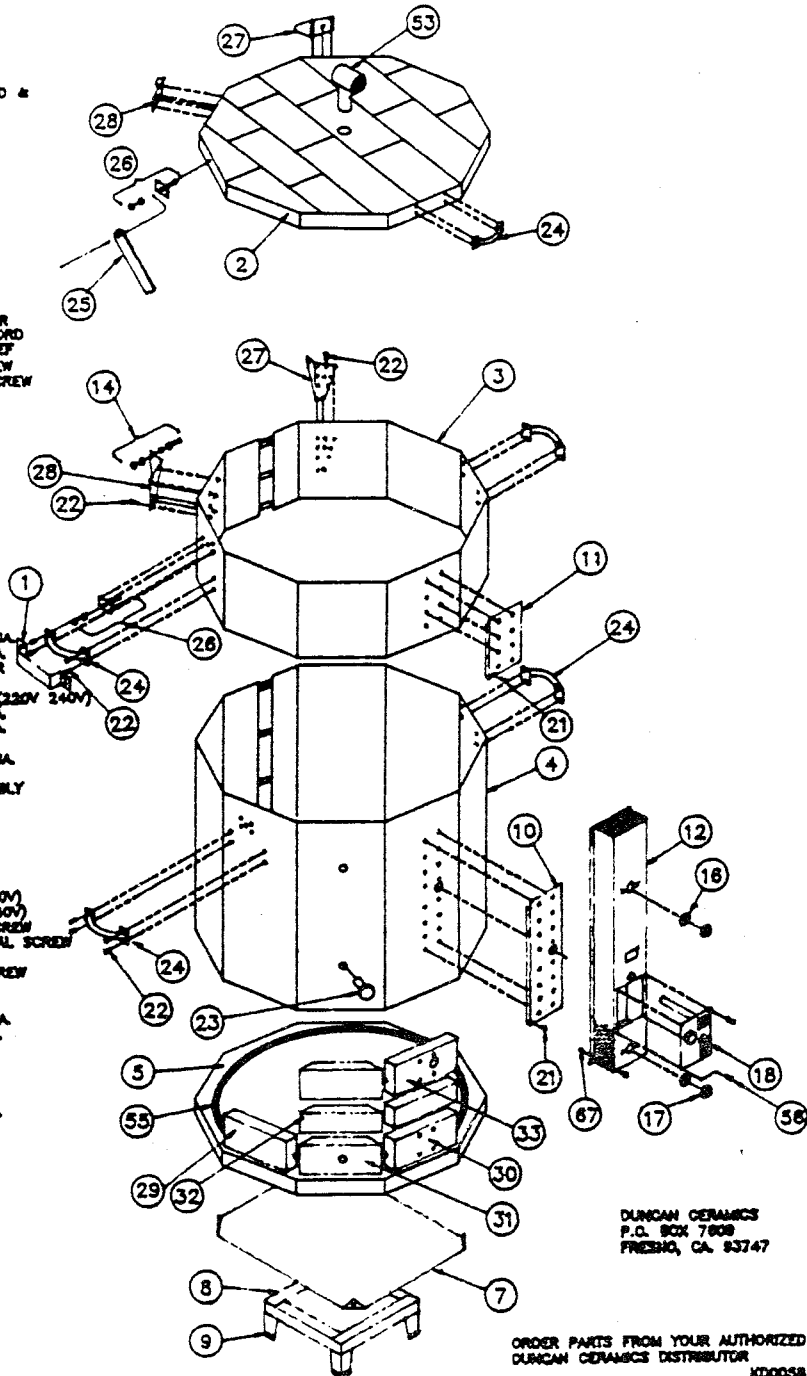


DUNCAN MODEL DA 1029-N

BODY PARTS

REF. PART NO., NO.	DESCRIPTION
1.	KC 117 LID SUPPORT GUARD
2.	KC 016 1020/29 BRICK LID (BANDED & COATED) WITH VENT HOLE
3.	KC 049 COLLAR GASK W/CLAMPS
4.	KC 048 CASE W/CLAMPS
5.	KC 003 1020/29 BRICK BOTTOM
7.	KP 303 BASE PLATE
8.	KC 070 STAND W/FEET
9.	KE 030 STAND FEET
10.	KP 028 HEAT SHIELD
11.	KP 024 COLLAR HEAT SHIELD
12.	KC 035 CONTROL PANEL SHELL
13.	KA 183 PILOT LIGHT
14.	KC 222 HINGE PIVOT KIT
16.	KM 302 PAL NUT
17.	KM 319 6A SWITCH KNOB
18.	KM 208 KILN-SITTER W/SAFETY TIMER
19.	KM 333 1020/29 POWER SUPPLY CORD
20.	KE 343 1020/29 CORD STRAIN RELIEF
21.	KE 302 #8 X 1" SHEET METAL SCREW
22.	KE 301 #8 X 1/2" SHEET METAL SCREW
23.	KA 030 PEEPHOLE PLUG
24.	KE 009 HANDLE
25.	KC 112 1020/29 LID SUPPORT
26.	KC 115 LID SUPPORT MOUNTING KIT
27.	KC 203 RIGHT HINGE W/PIVOT
28.	KC 213 LEFT HINGE W/PIVOT
29.	KB 003 GROOVED BRICK
30.	KB 013 TERMINAL BRICK
31.	KB 023 PEEPHOLE BRICK
32.	KB 043 HALF BRICK
33.	KB 053 KILN SITTER BRICK
34.	KE 084 2 POLE TERMINAL STRIP
35.	KM 324 POWER RELAY
36.	KM 321 2N1 TIMER
38.	KE 307 #8-32 X 1 1/8" SCREW
39.	KD 138 1/8" CONNECTING WIRE, 12 GA.
40.	KD 139 1/8" CONNECTING WIRE, 12 GA.
41.	KE 328 #8-32 NUT W/LOCK WASHER
42.	KC 352 12.6 WIRE COMBO 18 GA.
43.	KM 300 INFINITE SWITCH W/PAL NUT(220V 240V)
44.	KC 187 6" CONNECTING WIRE, 18 GA.
45.	KC 189 12" CONNECTING WIRE, 18 GA.
46.	KC 184 22.4 WIRE COMBO, 18 GA.
47.	KC 178 16" CONNECTING WIRE, 12 GA.
48.	KM 383 4" FIBERGLASS SLEEVING
48.	KC 308 STANDARD BUSS BAR ASSEMBLY
50.	KC 319 U-TERMINAL ASSEMBLY
51.	KE 080 INSULATOR
52.	KM 340 CONTROL RELAY
53.	KA 031 LID VENT PLUG
54.	KM 342 CAPACITOR ASSEMBLY #2
55.	KE 223 TOP FOUR ELEMENTS(240V)
56.	KE 227 MIDDLE FOUR ELEMENTS (240V)
56.	KE 228 BOTTOM FOUR ELEMENTS (240V)
58.	KE 303 #8 X 1/2" SHEET METAL SCREW
58.	KE 311 #10-32 X 1/2" SHEET METAL SCREW
58.	KC 182 22.18 WIRE COMBO 18 GA.
60.	KE 314 #8-32 X 1/2" MACHINE SCREW
61.	KE 321 #10 STAR WASHER
62.	KE 322 #8 STAR WASHER
63.	KE 354 1/8" CONNECTING WIRE 18 GA.
64.	KC 182 6" CONNECTING WIRE 12 GA.
65.	KE 332 #10 HEX NUT
66.	KE 333 #8 HEX NUT
67.	KE 341 1/8" STAND OFF
68.	KC 341 J POSITION SWITCH
70.	KC 364 9" CONNECTING WIRE 12 GA.



DUNCAN CERAMICS
P.O. BOX 7908
FRESNO, CA. 93747

ORDER PARTS FROM YOUR AUTHORIZED
DUNCAN CERAMICS DISTRIBUTOR

KD0038