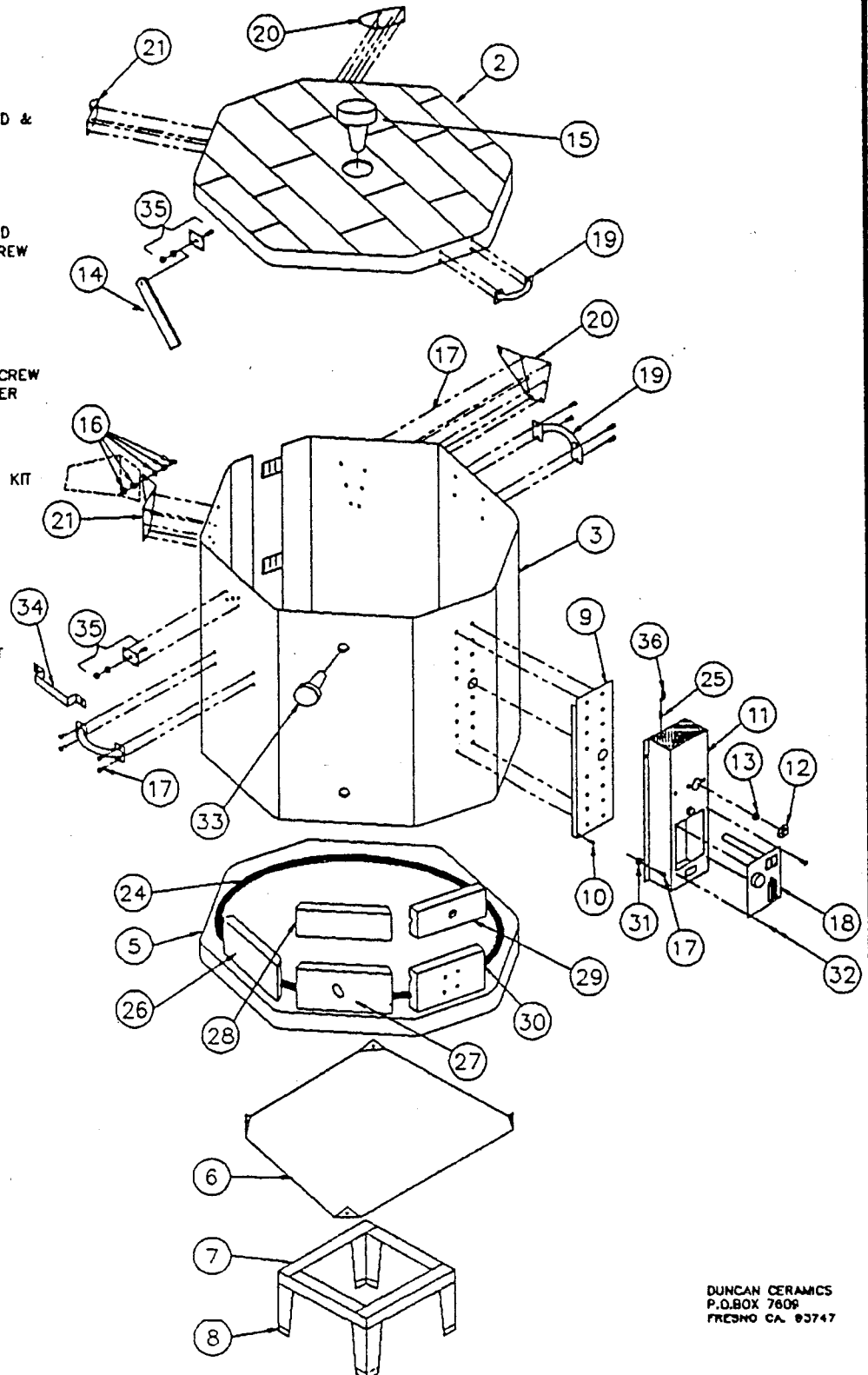


# DUNCAN EXPORT MODEL DA 820-6G

## BODY PARTS

REF. NO.	PART NO.	DESCRIPTION
2.	KC 015	DA 820 BRICK LID (BANDED & COATED) WITH VENT HOLE
3.	KC 080	820 CASE W/CLAMPS
5.	KC 002	DA 820 BRICK BOTTOM
6.	KP 302	820 BASE PLATE
7.	KC 069	820 STAND W/FEET
8.	KC 030	STAND FEET
9.	KP 028	820, 1020/29 HEAT SHIELD
10.	KE 302	#8 X 1" SHEET METAL SCREW
11.	KC 091	CONTROL PANEL SHELL
12.	KM 319	EA SWITCH KNOB
13.	KM 302	PAL NUT
14.	KC 120	820 LID SUPPORT
15.	KA 031	LID VENT PLUG
16.	KC 222	HINGE PIVOT KIT
17.	KE 301	#8 X 1/2" SHEET METAL SCREW
18.	KM 210	KILN-SITTER W/SAFETY TIMER
19.	KE 009	HANDLE
20.	KC 204	820 RIGHT HINGE W/PIVOT
21.	KC 214	820 LEFT HINGE W/PIVOT
24.	KE 234	820 ELEMENT (220V)
25.	KE 111	TEFLON SWITCH ACTURATOR KIT
26.	KB 002	820 GROOVED BRICK
27.	KB 022	820 PEEPHOLE BRICK
28.	KB 042	820 HALF BRICK
29.	KB 052	820 KILN-SITTER BRICK
30.	KB 012	820 TERMINAL BRICK
31.	KE 341	1/8" STANDOFF
32.	KE 303	#6 X 1/2" SCREW
33.	KA 030	PEEP HOLE PLUG
34.	KC 117	LID SUPPORT GUARD
35.	KC 116	LID SUPPORT MOUNTING KIT
36.	KE 010	SWITCH BRACKET



DUNCAN CERAMICS  
P.O. BOX 7809  
FRESNO CA. 93747

ORDER PARTS FROM YOUR AUTHORIZED DUNCAN CERAMICS DISTRIBUTOR

KD0059