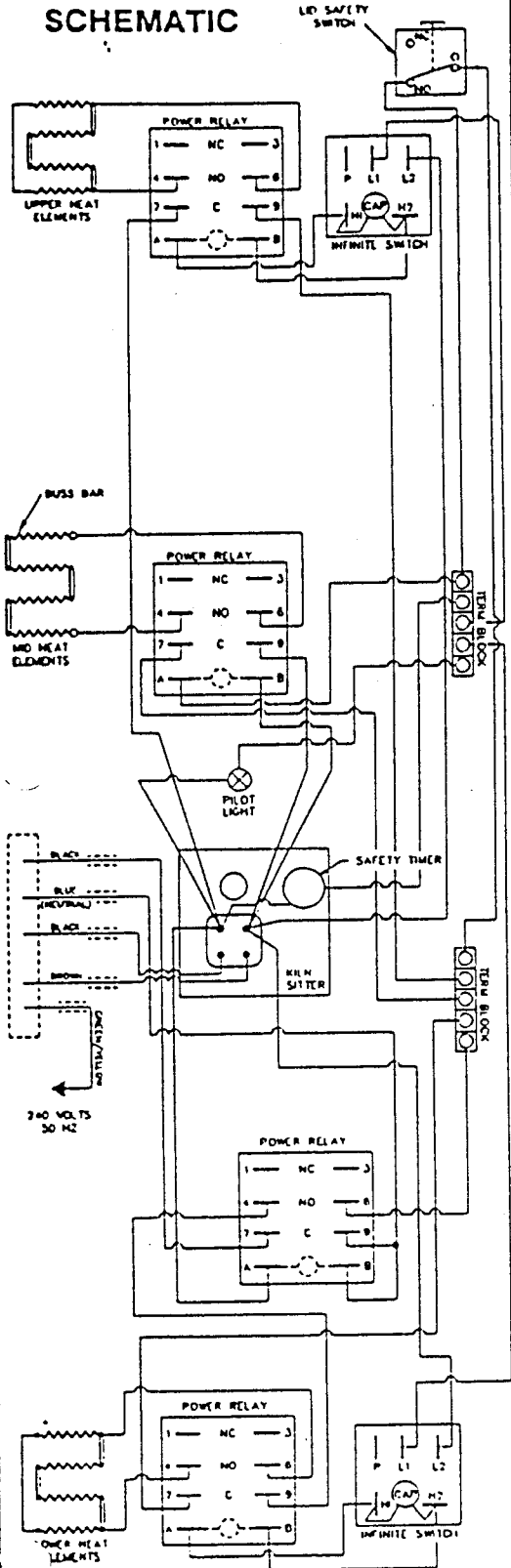
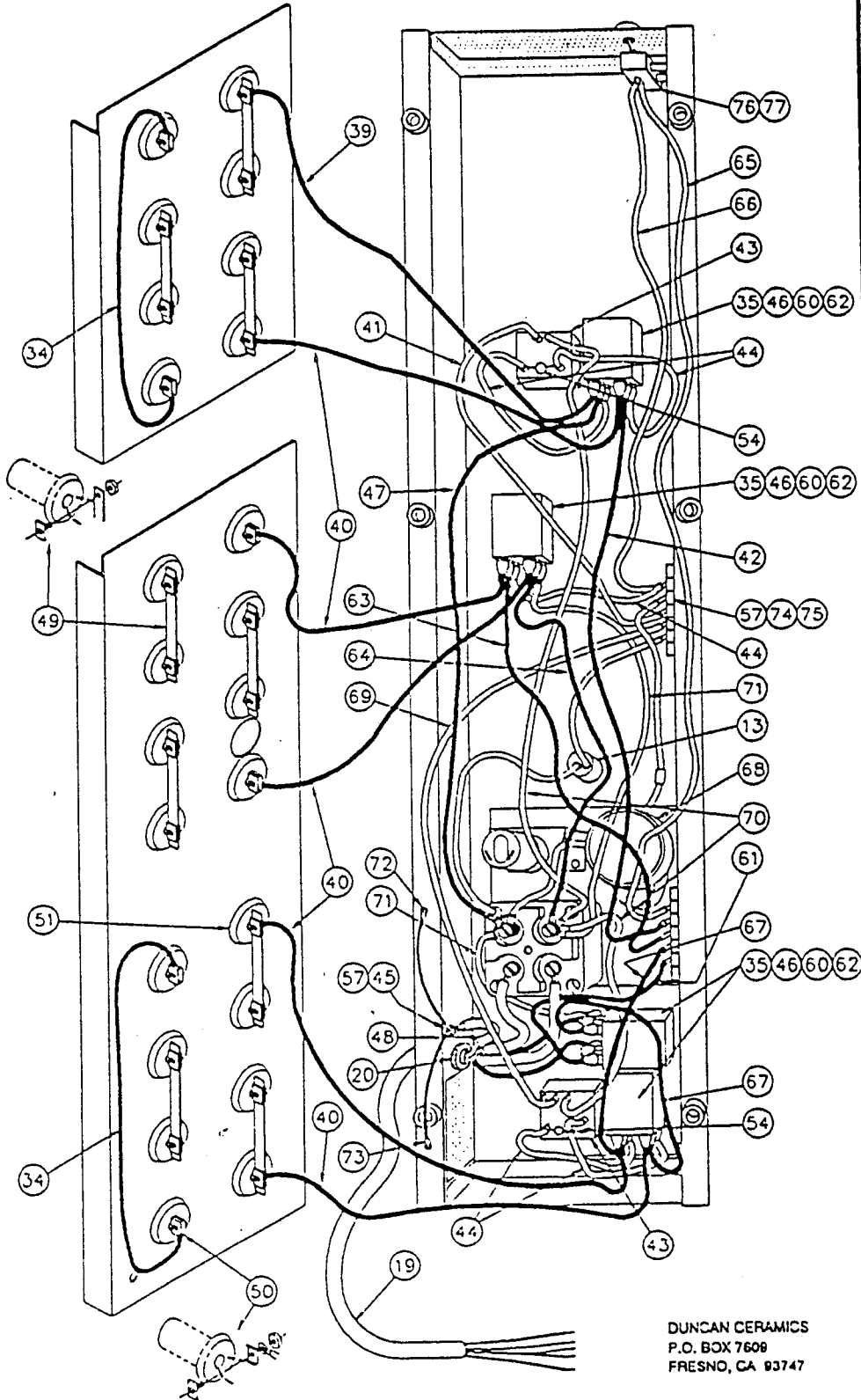


# DUNCAN MODEL DB 1027-6A

## ELECTRICAL SCHEMATIC



## CONTROL PANEL PARTS



DUNCAN CERAMICS  
P.O. BOX 7608  
FRESNO, CA 93747

(SEE OPPOSITE SIDE FOR PARTS LIST)