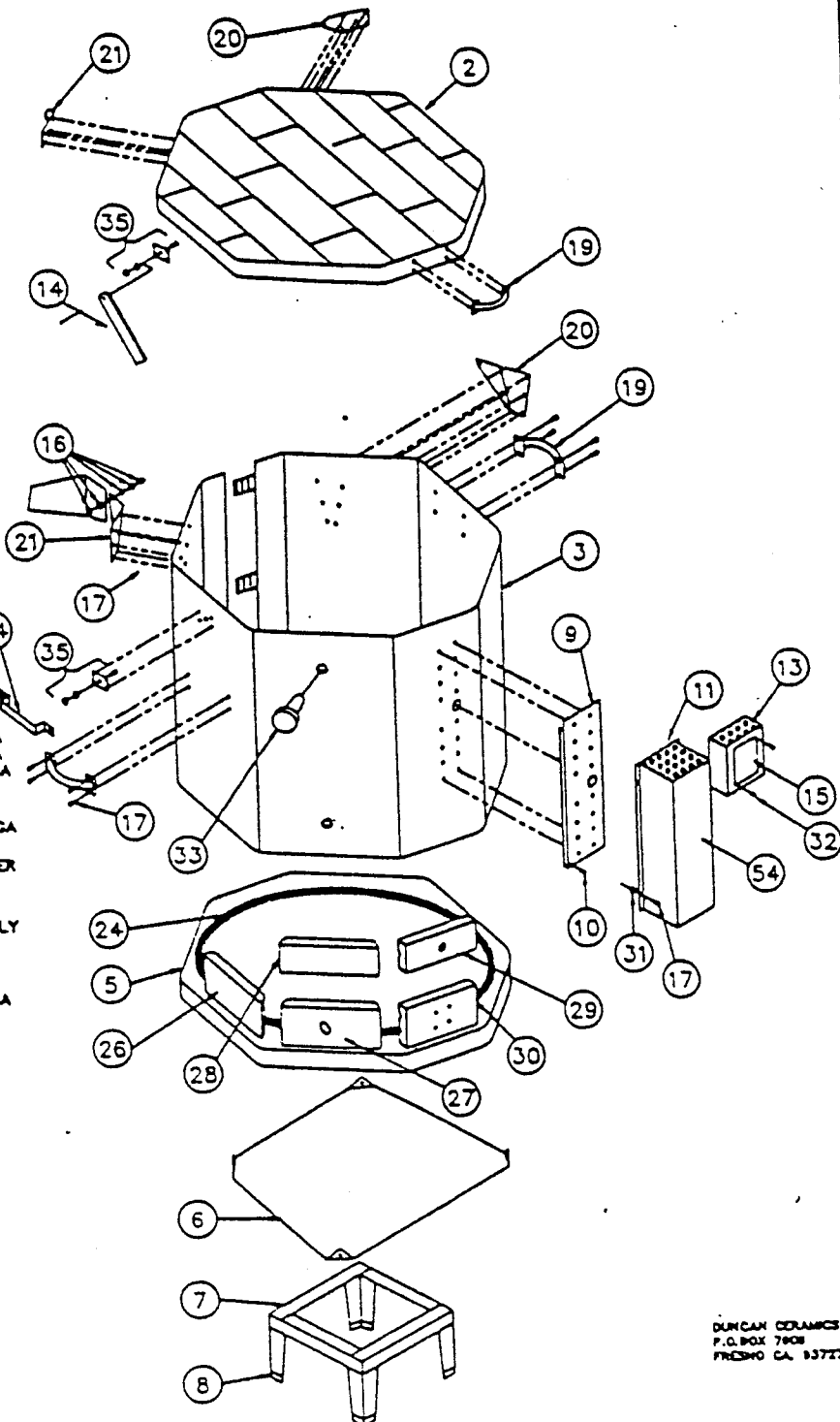


DUNCAN MODELS DE 820-2,-4

BODY PARTS

REF. NO.	PART NO.	DESCRIPTION
2.	KC 015	DA 820 BRICK LID (BANDED & COATED) WITH VENT HOLE
3.	KC 080	820 CASE W/CLAMPS
5.	KC 062	DA 820 BRICK BOTTOM
6.	KP 302	820 BASE PLATE
7.	KC 088	820 STAND W/FEET
8.	KC 030	STAND FEET
9.	KP 028	820, 1020/29 HEAT SHIELD
10.	KE 302	Ø8 X 1" SHEET METAL SCREW
11.	KC 058	CONTROL PANEL SHELL
12.	KC 354	DE THERMOCOUPLE ASSEMBLY
13.	KC 483	DE CONTROL BOX SHELL
14.	KC 120	820 LID SUPPORT
15.	KC 484	DE ELECTRONIC CONTROLLER
18.	KC 222	HINGE PIVOT KIT
17.	KE 301	Ø8 X 1/2" SHEET METAL SCREW
18.	KE 322	820 POWER SUPPLY COND
19.	KE 008	HANDLE
20.	KC 204	820 RIGHT HINGE W/PIVOT
21.	KC 214	820 LEFT HINGE W/PIVOT
24.	KE 202	820 ELEMENT 240V -2
	OR	
	KE 212	820 ELEMENT 208V -4
26.	KB 002	820 GROOVED BRICK
27.	KB 022	820 PEEPHOLE BRICK
28.	KB 042	820 HALF BRICK
29.	KB 069	DE 820 THERMOCOUPLE BRICK
30.	KB 012	820 TERMINAL BRICK
31.	KE 341	1/8" STANDOFF
32.	KE 303	Ø8 X 1/2" SCREW
33.	KA 030	PEEPHOLE PLUG
34.	KC 117	LID SUPPORT GUARD
35.	KC 118	LID SUPPORT MOUNTING KIT
36.	KE 355	DE THERMOCOUPLE
37.	KC 389	DE 14" CONNECTING WIRE 12GA
38.	KC 500	DE 19" CONNECTING WIRE 12GA
40.	KC 501	DE 12" CONNECTING WIRE 12 GA
41.	KC 502	DE 9" CONNECTING WIRE 12GA
42.	KC 482	DE JUMPER WIRE 18GA
43.	KC 483	DE 4" WIRE-TRANSFORMER 18GA
45.	KE 358	DE THERMOCOUPLE WIRE 18"
46.	KC 503	DE 240V-24VAC TRANSFORMER
47.	KC 504	DE 240-24V RELAY
48.	KC 383	4" FIBERGLASS SLEEVING
49.	KC 309	STANDARD BUSS BAR ASSEMBLY
50.	KC 318	U-TERMINAL ASSEMBLY
51.	KE 060	INSULATOR
52.	KC 505	DE QUICK DISCONNECT
53.	KC 508	DE 6" CONNECTING WIRE 12 GA
54.	KC 507	DE CONTROL PANEL SHELL



ORDER PARTS FROM YOUR AUTHORIZED DUNCAN CERAMICS DISTRIBUTOR

DUNCAN CERAMICS
P.O. BOX 7808
FRESNO CA. 93727

KDC093

7/23/85