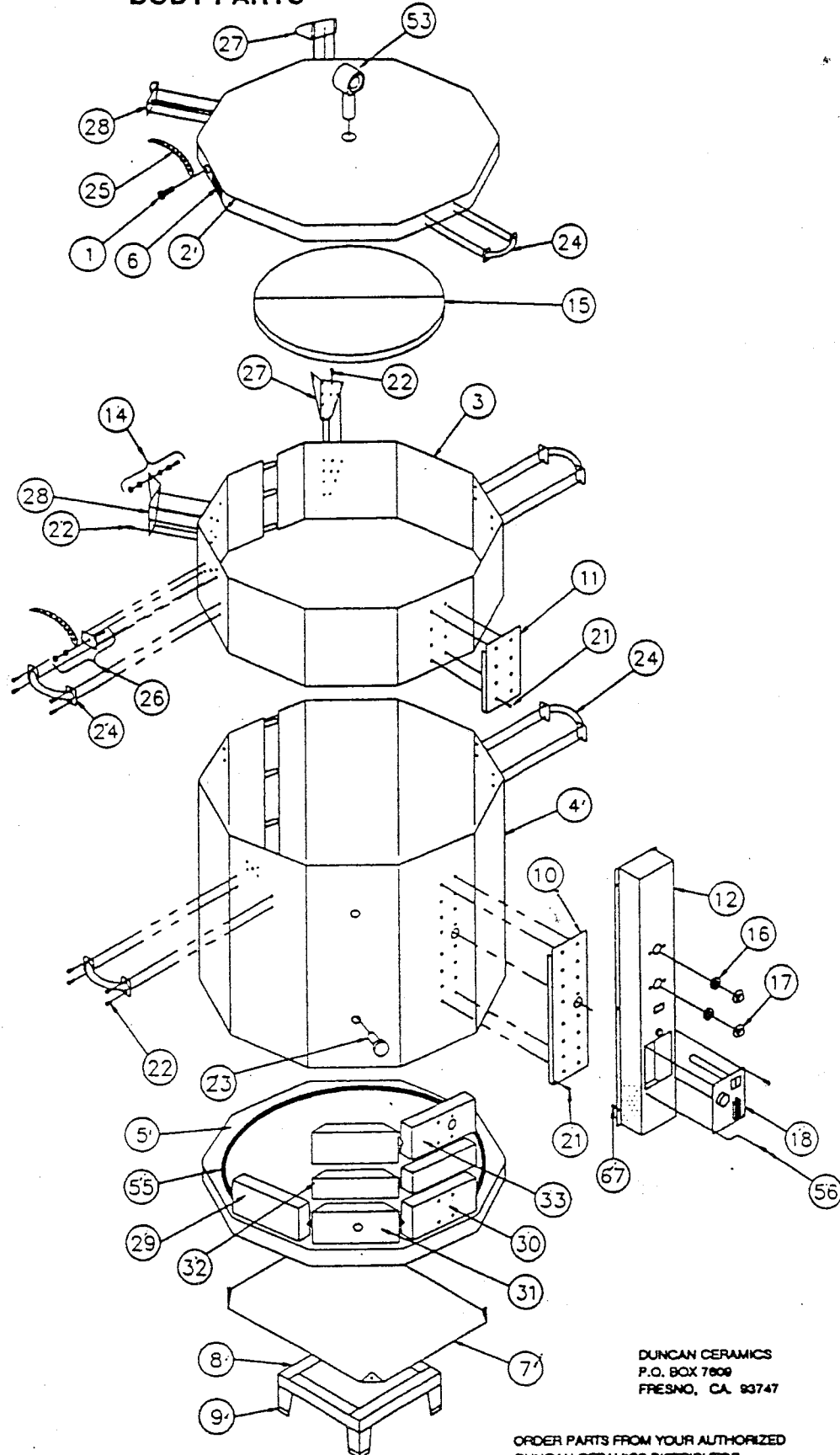


# DUNCAN MODEL EA 1029-6L

## BODY PARTS

- | REF. NO. | PART NO. | DESCRIPTION                     |
|----------|----------|---------------------------------|
| 1.       | KE 304   | #8-32 x 3/4" Machine Screw      |
| 2.       | KC 019   | Fiber Lid w/Band                |
| 3.       | KC 048   | Collar Case w/Clamps            |
| 4.       | KC 082   | Case w/clamps                   |
| 5.       | KC 006   | Fiber Bottom                    |
| 6.       | KE 045   | Case Clamp                      |
| 7.       | KP 303   | Base Plate                      |
| 8.       | KC 070   | Stand w/Feet                    |
| 9.       | KE 030   | Stand Feet                      |
| 10.      | KP 028   | 820, 1020/29 Heat Shield        |
| 11.      | KP 024   | Collar Heat Shield              |
| 12.      | KC 059   | 1029 Control Panel Shell        |
| 13.      | KA 183   | EA Pilot Light                  |
| 14.      | KC 222   | Hinge Pivot Kit                 |
| 15.      | KA 118   | 1020/29 Hearth Plate (EA only)  |
| 16.      | KM 302   | Pal Nut                         |
| 17.      | KM 318   | Switch Knob, White              |
| 18.      | KM 206   | Klin-Sitter w/Safety Timer      |
| 19.      | KM 333   | 1020/29 Power Supply Cord       |
| 20.      | KE 343   | 1020/29 Cord Strain Relief      |
| 21.      | KE 302   | #8 x 1" Sheet Metal Screw       |
| 22.      | KE 301   | #8 x 1/2" Sheet Metal Screw     |
| 23.      | KA 030   | Peephole Plug                   |
| 24.      | KE 009   | Handle                          |
| 25.      | KE 104   | 1029/29 Lid Chain               |
| 26.      | KC 339   | Lid Chain Mounting Plate Kit    |
| 27.      | KC 203   | Right Hinge w/Pivot             |
| 28.      | KC 213   | Left Hinge w/Pivot              |
| 29.      | KB 003   | Grooved Brick                   |
| 30.      | KB 013   | Terminal Brick                  |
| 31.      | KB 023   | Peephole Brick                  |
| 32.      | KB 043   | Half Brick                      |
| 33.      | KB 053   | Klin-Sitter Brick               |
| 34.      | KE 008   | 2 Pole Terminal Strip           |
| 35.      | KM 324   | Power Relay                     |
| 36.      | KM 325   | 4300 Fixed Interval Timer       |
| 37.      | KM 326   | 4600 Repeat Cycle Timer         |
| 38.      | KE 307   | #8-32 x 1 1/4" Machine Screw    |
| 39.      | KC 138   | 14" Connecting Wire, 12 Gauge   |
| 40.      | KC 139   | 9" Connecting Wire, 12 Gauge    |
| 41.      | KE 329   | #8-32 Nut w/Lock Washer         |
| 42.      | KC 169   | 10" Connecting Wire, 16 Gauge   |
| 43.      | KM 301   | Infinite Switch w/Pal Nut 208V  |
| 44.      | KC 418   | #8, 4 Wire Combo, 16 Gauge      |
| 45.      | KC 172   | 9, 6, 4, 8 Wire Combo, 16 Gauge |
| 46.      | KC 173   | 8, 4 Wire Combo, 16 Gauge       |
| 47.      | KC 177   | 6" Connecting Wire, 12 Gauge    |
| 48.      | KM 383   | 4" Fiberglass Sleeving          |
| 49.      | KC 309   | Standard Bus Bar Assembly       |
| 50.      | KC 319   | U-Terminal Assembly             |
| 51.      | KE 080   | Insulator                       |
| 52.      | KM 361   | 3 Position Switch               |
| 53.      | KA 031   | Lid Vent Hole Plug              |
| 54.      | KC 180   | 20" Connecting Wire, 12 Gauge   |
| 55.      | KE 220   | 1020/29 Element (220V)          |
| 56.      | KE 303   | #8 x 1/2" Sheet Metal Screw     |
| 57.      | KE 311   | #10-32 x 3/8" Machine Screw     |
| 58.      | KC 179   | 16" Connecting Wire, 12 Gauge   |
| 59.      | KE 314   | #8-32 x 1/2" Machine Screw      |
| 60.      | KE 321   | #10 Star Washer                 |
| 61.      | KE 322   | #8 Star Washer                  |
| 62.      | KC 419   | 15" Connecting Wire, 16 Gauge   |
| 63.      | KC 182   | 8" Connecting Wire, 12 Gauge    |
| 64.      | KE 332   | #10-32 Hex Nut                  |
| 65.      | KE 333   | #8-32 Hex Nut                   |
| 66.      | KE 341   | 1/8" Standoff                   |



DUNCAN CERAMICS  
P.O. BOX 7809  
FRESNO, CA. 93747

ORDER PARTS FROM YOUR AUTHORIZED  
DUNCAN CERAMICS DISTRIBUTOR

LX 936