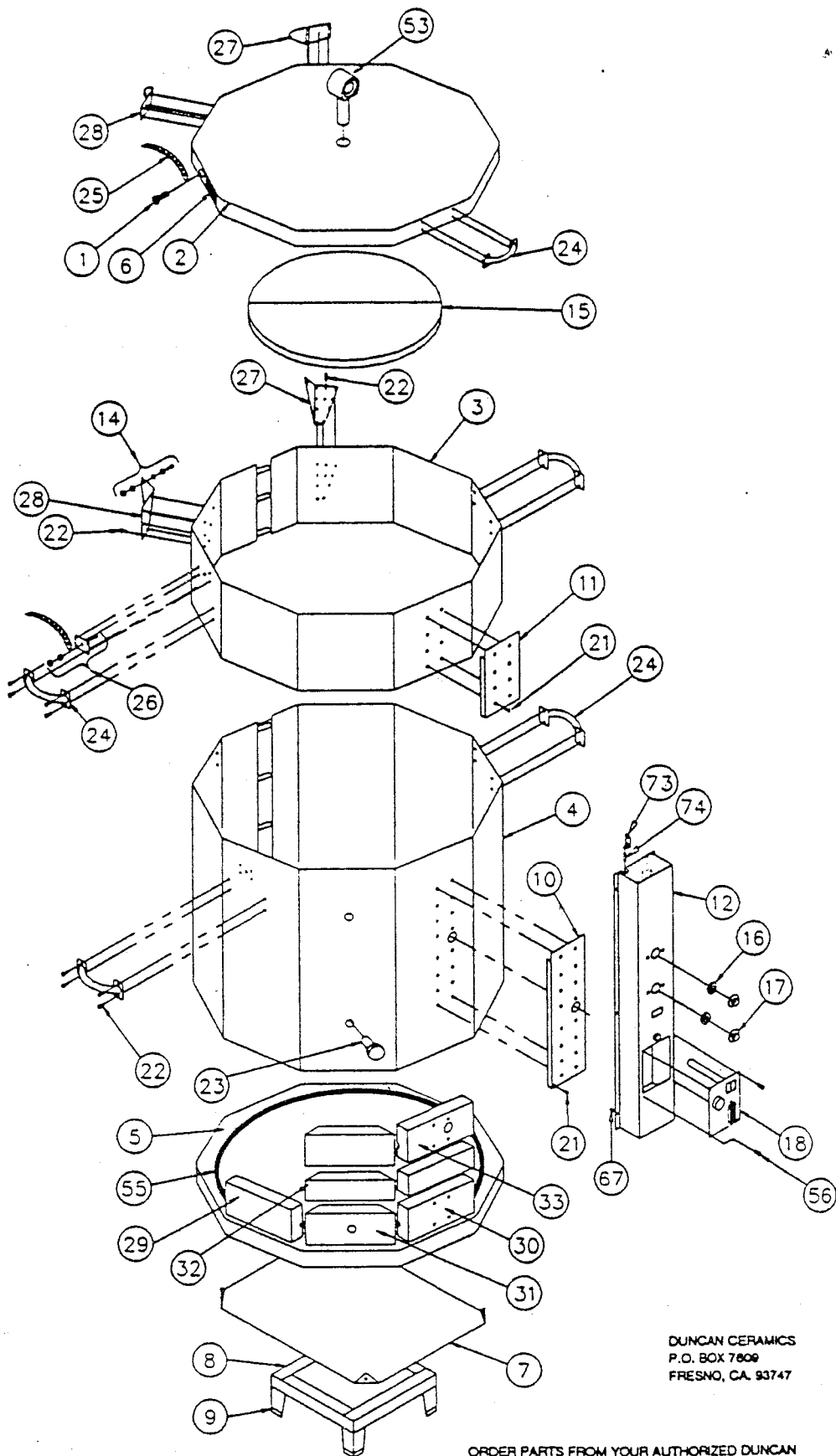


DUNCAN MODEL EA 1029-8J

BODY PARTS

REF. NO.	PART NO.	DESCRIPTION
1.	KE 304	#8-32 x 3/4" Machine Screw
2.	KC 019	Fiber Lid w/Band
3.	KC 048	Coiler Case w/Clamps
4.	KC 082	Case w/Clamps
5.	KC 006	Fiber Bottom
6.	KE 045	Case Clamp
7.	KP 303	Base Plate
8.	KC 073	Stand w/Feet
9.	KE 030	Stand Feet
10.	KP 028	820, 1020/29 Heat Shield
11.	KP 024	Coiler Heat Shield
12.	KC 059	1029 Control Panel Shell
13.	KC 362	EA Pilot Light
14.	KC 222	Hinge Pivot Kit
15.	KA 118	1020/29 Hearth Plate (EA only)
16.	KM 302	Pal Nut
17.	KM 319	Switch Knob, White
18.	KM 312	Kn-Slitter w/Safety Timer
19.	KM 333	1020/29 Power Supply Cord
20.	KE 343	1020/29 Cord Strain Relief
21.	KE 302	#8 x 1" Sheet Metal Screw
22.	KE 302	#8 x 1/2" Sheet Metal Screw
23.	KA 030	Peephole Plug
24.	KE 009	Handle
25.	KE 104	1029/29 Lid Chain
26.	KC 338	Lid Chain Mounting Plate Kit
27.	KC 203	Right Hinge w/Pivot
28.	KC 213	Left Hinge w/Pivot
29.	KB 003	Grooved Brick
30.	KB 013	Terminal Brick
31.	KB 023	Peephole Brick
32.	KB 043	Half Brick
33.	KB 053	Kn-Slitter Brick
34.	KE 098	2 Pole Terminal Strip
35.	KM 324	Power Relay
36.	KM 325	4300 Fixed Interval Timer
37.	KM 326	4800 Repeat Cycle Timer
38.	KE 307	#8-32 x 1 1/4" Machine Screw
39.	KC 138	14" Connecting Wire, 12 Gauge
40.	KC 138	8" Connecting Wire, 12 Gauge
41.	KE 329	#8-32 Nut w/Lock Washer
42.	KC 189	10" Connecting Wire, 18 Gauge
43.	KM 301	Infinite Switch w/Pal Nut 208V
44.	KC 418	18, 4 Wire Combo, 18 Gauge
45.	KC 172	9, 8, 4, 8 Wire Combo, 18 Gauge
46.	KC 367	6, 4, 18 Wire Combo, 18 Gauge
47.	KC 177	8" Connecting Wire, 12 Gauge
48.	KM 383	4" Fiberglass Sleeving
49.	KC 309	Standard Bus Bar Assembly
50.	KE 319	U-Terminal Assembly
51.	KE 090	Insulator
52.	KM 361	3 Position Switch
53.	KA 031	Lid Vent Hole Plug
54.	KC 180	20" Connecting Wire, 12 Gauge
55.	KE 233	Elements (208V)
56.	KE 303	#8 x 1/2" Sheet Metal Screw
57.	KE 311	#10-32 x 3/8" Machine Screw
58.	KC 179	16" Connecting Wire, 12 Gauge
59.	KE 314	#8-32 x 1/2" Machine Screw
60.	KE 321	#10 Star Washer
61.	KE 322	#6 Star Washer
62.	KC 419	15" Connecting Wire, 18 Gauge
63.	KC 162	8" Connecting Wire, 12 Gauge
64.	KE 332	#10-32 Hex Nut
65.	KE 333	#8-32 Hex Nut
66.	KE 341	1/8" Standoff
67.	KC 140	22" Connecting Wire, 18 Gauge
68.	KC 150	9" Ground Wire
69.	KC 153	25" Ground Wire
70.	KM 309	Lid Safety Switch
71.	KM 363	Lid Switch Mounting Kit
72.	KE 010	Switch Bracket
73.	KE 111	Teflon Switch Actuator Kit



DUNCAN CERAMICS
P.O. BOX 7809
FRESNO, CA. 93747

ORDER PARTS FROM YOUR AUTHORIZED DUNCAN CERAMICS DISTRIBUTOR.