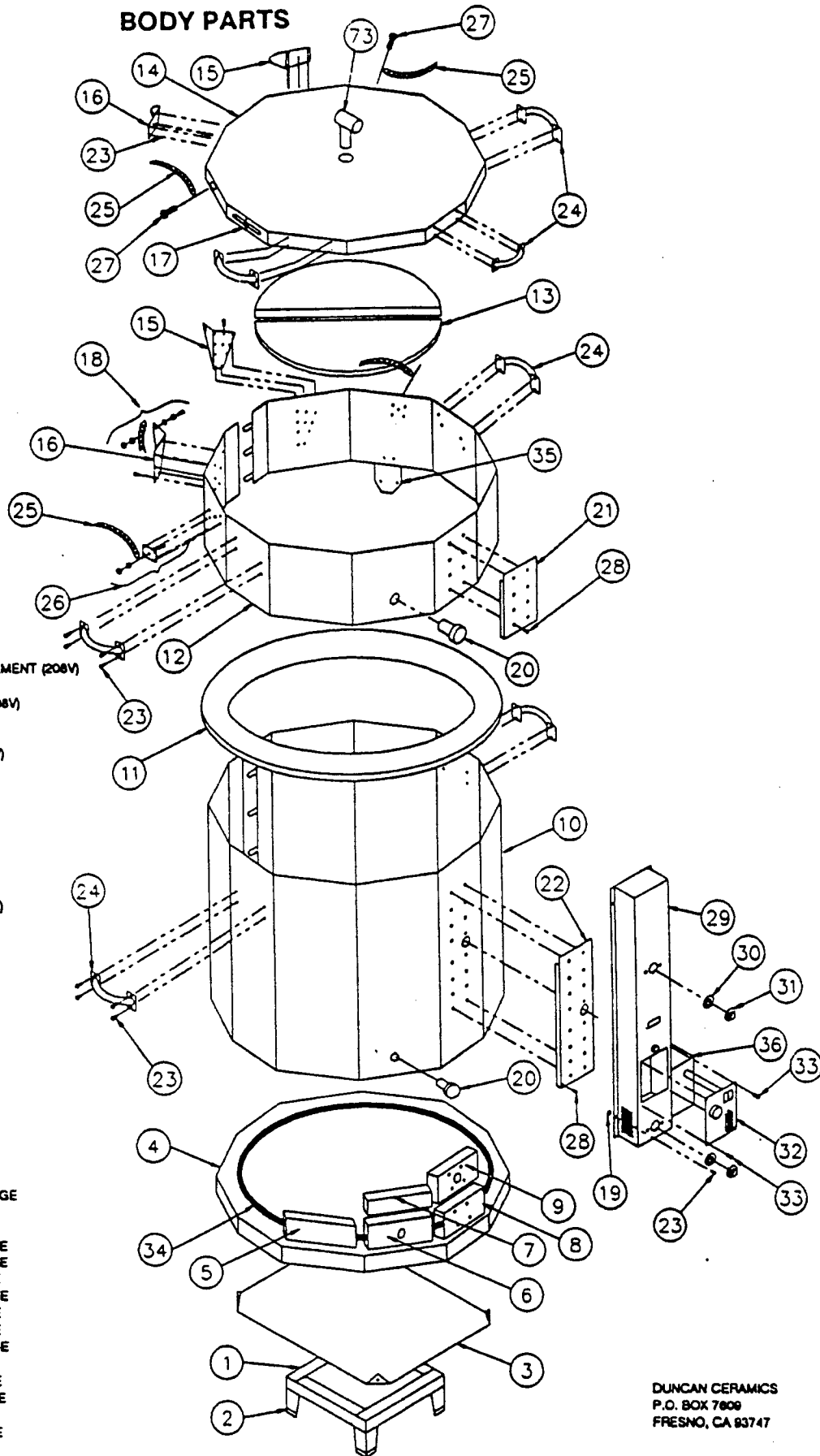


DUNCAN MODEL EA 1229-4, 3 PHASE

BODY PARTS

REF NO.	PART NO.	DESCRIPTION
1.	KC 088	EA 1229 STAND W/FEET
2.	KE 030	STAND FEET
3.	KP 304	1229 BASE PLATE
4.	KC 009	1229 FIBER BOTTOM
5.	KB 004	1229 GROOVED BRICK
6.	KB 024	1229 PEEPHOLE BRICK
7.	KB 044	1229 HALF BRICK
8.	KB 014	1229 TERMINAL BRICK
9.	KB 064	1229 KLN SITTER BRICK
10.	KC 087	EA 1229 LOWER CASE W/CLAMPS
11.	KP 314	1/4" THICK FIBER GASKET (1229)
12.	KC 086	EA 1229 UPPER CASE W/CLAMPS
13.	KA 114	1229 HALF SHELL
14.	KC 050	1229 FIBER LID W/BAND
15.	KC 220	1229 RIGHT HINGE ASSEMBLY
16.	KC 221	1229 LEFT HINGE ASSEMBLY
17.	KE 045	CASE CLAMP
18.	KC 222	HINGE PIVOT KIT
19.	KE 341	1/8" STANDOFF
20.	KA 032	PEEPHOLE PLUG-3/4"
21.	KP 024	COLLAR HEAT SHIELD
22.	KP 029	1229 HEAT SHIELD
23.	KE 301	#8 X 1/2" SHEET METAL SCREW
24.	KE 009	HANDLE
25.	KE 105	1229 LID CHAIN
26.	KC 339	LID MOUNTING PLATE KIT
27.	KE 304	#8-32 X 3/4" MACHINE SCREW
28.	KE 302	#8 X 1" SHEET METAL SCREW
29.	KC 086	EA 1229-4 CONTROL PANEL SHELL
30.	KM 302	PAL NUT
31.	KM 319	SWITCH KNOB-EA KULNS
32.	KM 208	EA KLN-SITTER W/TIMER (240V)
33.	KE 303	#8 X 1/2" SHEET METAL SCREW
34.	KE 268	1229-4 TOP OR BOTTOM BANK ELEMENT (208V)
35.	KE 269	1229-4 MIDDLE BANK ELEMENT (208V)
36.	KE 110	LID LATCH
37.	KP 030	JUNCTION BOX
38.	KM 300	INFINITE SWITCH W/PAL NUT (240V)
39.	KM 382	CAPACITOR ASSM. #2
40.	KM 324	POWER RELAY (240V)
41.	KE 086	2 POLE TERMINAL STRIP
42.	KM 361	3 POSITION SWITCH
43.	KM 380	CONTROL RELAY (240V)
44.	KP 031	TERMINAL BLOCK, 3 POLE
45.	KP 032	1" INSULATED CHASE NIPPLE
46.	KM 326	4800 REPEAT CYCLE TIMER (240V)
47.	KM 325	4300 FIXED INTERVAL TIMER (240V)
48.	KE 348	#8-32 X 3/4" MACHINE SCREW
49.	KC 309	STANDARD BUSS BAR ASSEMBLY
50.	KC 319	U-TERMINAL ASSEMBLY
51.	KE 314	#8-32 X 1/2" MACHINE SCREW
52.	KE 322	#8 STAR WASHER
53.	KE 333	#6-32 HEX NUT
54.	KE 060	INSULATOR
55.	KE 307	#8-32 X 1-1/4" MACHINE SCREW
56.	KE 329	#8-32 HEX NUT W/WASHER
57.	KE 311	#10-32 3/8" MACHINE SCREW
58.	KE 321	#10 STAR WASHER
59.	KE 332	#10-32 HEX NUT
60.	KC 139	9" CONNECTING WIRE, 12 GAUGE
61.	KC 183	EA PILOT LIGHT
62.	KC 187	6" CONNECTING WIRE, 18 GAUGE
63.	KC 184	22, 4, WIRE COMBO, 18 GAUGE
64.	KC 183	12, 6, 12, 6 WIRE COMBO, 18 GAUGE
65.	KC 182	22, 6 WIRE COMBO, 18 GAUGE
66.	KC 181	12, 8, 9 WIRE COMBO, 18 GAUGE
67.	KC 185	25" CONNECTING WIRE, 18 GAUGE
68.	KC 186	22" CONNECTING WIRE, 18 GAUGE
69.	KC 182	6" CONNECTING WIRE, 12 GAUGE
70.	KC 178	18" CONNECTING WIRE, 12 GAUGE
71.	KC 168	6" CONNECTING WIRE, 16 GAUGE
72.	KC 177	6" CONNECTING WIRE, 12 GAUGE
73.	KC 178	14" CONNECTING WIRE, 12 GAUGE
74.	KA 031	LID VENT PLUG
75.	KC 378	9" CONNECTING WIRE, 18 GAUGE
76.	KC 416	7" CONNECTING WIRE, 8 GAUGE
77.	KC 417	7" CONNECTING WIRE, 8 GAUGE
78.	KC 415	8" CONNECTING WIRE, 12 GAUGE
79.	KP 317	1 POLE TERMINAL STRIP
80.	KC 384	9" CONNECTING WIRE, 12 GAUGE



DUNCAN CERAMICS
P.O. BOX 7809
FRESNO, CA 93747

ORDER PARTS FROM YOUR AUTHORIZED DUNCAN CERAMICS DISTRIBUTOR