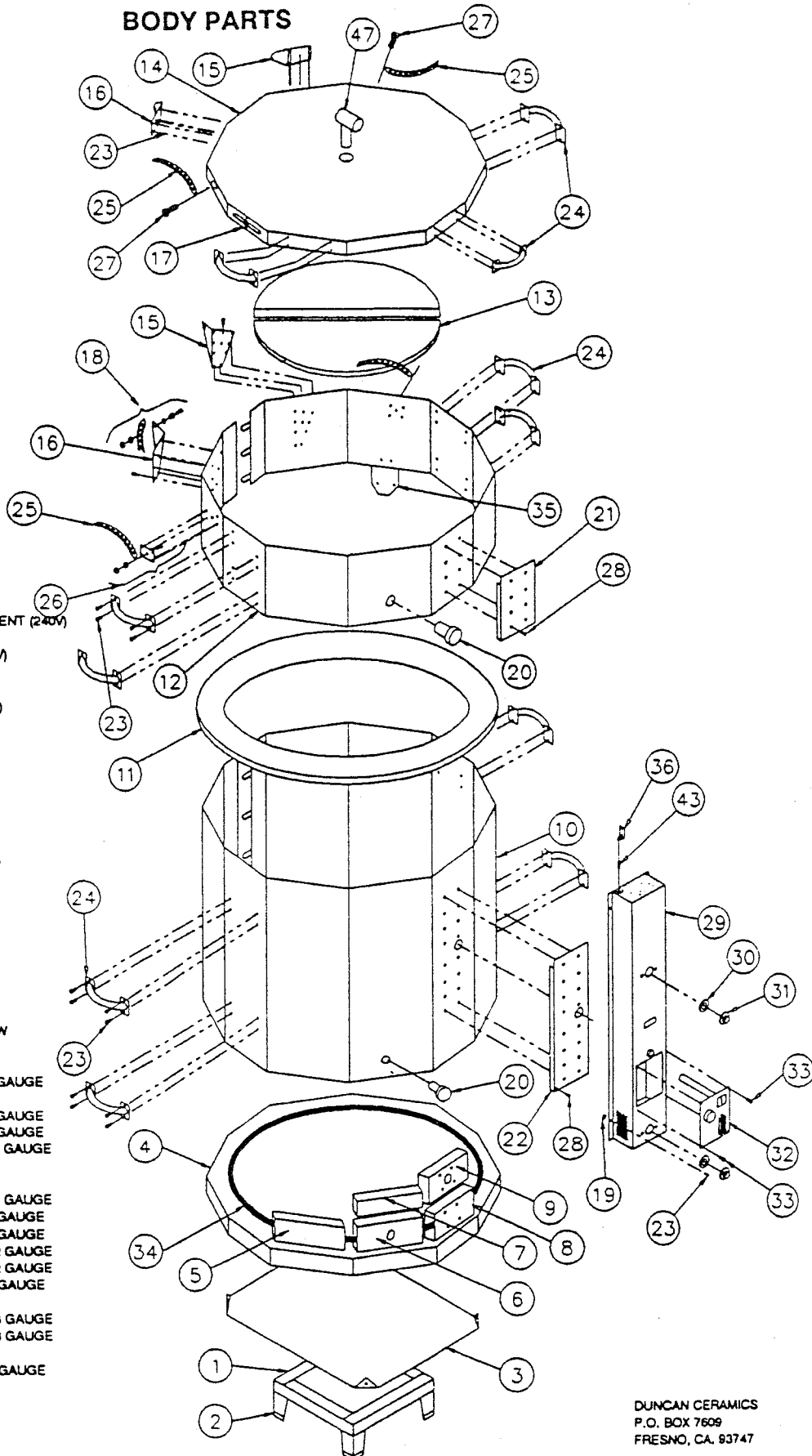


DUNCAN EXPORT MODEL EA 1229-6A

REF PART

NO.	NO.	DESCRIPTION
1.	KC 089	EA 1229 STAND W/FEET
2.	KE 030	STAND FEET
3.	KP 304	1229 BASE PLATE
4.	KC 009	1229 FIBER BOTTOM
5.	KB 004	1229 GROOVED BRICK
8.	KB 024	1229 PEEPHOLE BRICK
7.	KB 044	1229 HALF BRICK
8.	KB 014	1229 TERMINAL BRICK
9.	KB 054	1229 KILN SITTER BRICK
10.	KC 087	EA 1229 LOWER CASE W/CLAMPS
11.	KP 314	1/4" THICK FIBER GASKET (1229)
12.	KC 088	EA 1229 UPPER CASE W/CLAMPS
13.	KA 114	1229 HALF SHELF
14.	KC 050	1229 FIBER LID W/BAND
15.	KC 220	1229 RIGHT HINGE ASSEMBLY
18.	KC 221	1229 LEFT HINGE ASSEMBLY
17.	KE 045	CASE CLAMP
18.	KC 222	HINGE PIVOT KIT
19.	KE 341	1/8" STANDOFF
20.	KA 030	PEEPHOLE PLUG
21.	KP 024	COLLAR HEAT SHIELD
22.	KP 029	1229 HEAT SHIELD
23.	KE 301	#8 X 1/2" SHEET METAL SCREW
24.	KE 008	HANDLE
25.	KE 105	1229 LID CHAIN
26.	KC 339	LID MOUNTING PLATE KIT
27.	KE 304	#8-32 X 3/4" MACHINE SCREW
28.	KE 302	#8 X 1" SHEET METAL SCREW
29.	KC 088	EA 1229 CONTROL PANEL SHELL
30.	KM 302	PAL NUT
31.	KM 319	SWITCH KNOB-EA KILNS
32.	KM 208	EA KILN-SITTER W/TIMER (240V)
33.	KE 303	#8 X 1/2" SHEET METAL SCREW
34.	KE 241	1229 TOP OR BOTTOM BANK ELEMENT (240V)
	OR	
	KE 236	1229 MIDDLE BANK ELEMENT (240V)
35.	KE 110	LID LATCH
36.	KE 010	SWITCH BRACKET
37.	KM 300	INFINITE SWITCH W/PAL NUT (240V)
38.	KM 362	CAPACITOR ASSM. #2
39.	KM 324	POWER RELAY (240V)
40.	KE 101	TERMINAL BLOCK ASSEMBLY
41.	KM 361	3 POSITION SWITCH
42.	KM 380	CONTROL RELAY (240V)
43.	KE 111	TEFLON SWITCH ACTUATOR KIT
44.	KM 343	CORD STRAIN RELIEF
45.	KM 326	4800 REPEAT CYCLE TIMER (240V)
46.	KM 325	4300 FIXED INTERVAL TIMER (240V)
47.	KA 031	LID VENT PLUG
48.	KC 308	STANDARD BUSS BAR ASSEMBLY
49.	KC 319	U-TERMINAL ASSEMBLY
50.	KE 314	#8-32 X 1/2" MACHINE SCREW
51.	KE 322	#8 STAR WASHER
52.	KE 333	#8-32 HEX NUT
53.	KE 080	INSULATOR
54.	KE 307	#8-32 X 1-1/4" MACHINE SCREW
55.	KE 329	#8-32 HEX NUT W/WASHER
56.	KE 315	#10-32 1/8" TAMPERPROOF SCREW
57.	KE 321	#10 STAR WASHER
58.	KE 332	#10-32 HEX NUT
59.	KC 136	6" (23CM) CONNECTING WIRE, 12 GAUGE
60.	KC 111	EA PILOT LIGHT
61.	KC 187	6" (15CM) CONNECTING WIRE, 18 GAUGE
62.	KC 177	6" (15CM) CONNECTING WIRE, 12 GAUGE
63.	KC 182	10" (25CM) CONNECTING WIRE, 12 GAUGE
64.	KC 184	22, 4, WIRE COMBO, 18 GAUGE
65.	KC 108	12, 6 WIRE COMBO, 18 GAUGE
66.	KC 188	22" (58CM) CONNECTING WIRE, 18 GAUGE
67.	KC 378	6" (23CM) CONNECTING WIRE, 18 GAUGE
68.	KC 182	6" (15CM) CONNECTING WIRE, 12 GAUGE
71.	KC 138	14" (35CM) CONNECTING WIRE, 12 GAUGE
72.	KC 179	18" (40CM) CONNECTING WIRE, 12 GAUGE
73.	KC 175	6" (15CM) CONNECTING WIRE, 12 GAUGE
74.	KC 108	14, 9 WIRE COMBO, 18 GAUGE
75.	KC 105	22" (58CM) CONNECTING WIRE, 18 GAUGE
76.	KC 102	14" (40CM) CONNECTING WIRE, 18 GAUGE
77.	KC 101	4, 4 WIRE COMBO, 18 GAUGE
78.	KC 168	6" (15CM) CONNECTING WIRE, 18 GAUGE
79.	KM 320	1029-8 POWER SUPPLY CORD
80.	KM 382	5 1/2" LG. FIBERGLASS SLEEVING
81.	KC 150	9" (23CM) GROUNDING WIRE
82.	KC 153	25" (63CM) GROUNDING WIRE
83.	KC 364	9" CONNECTING WIRE, 12 GAUGE

BODY PARTS



DUNCAN CERAMICS
P.O. BOX 7609
FRESNO, CA. 93747

ORDER PARTS FROM YOUR AUTHORIZED DUNCAN CERAMICS DISTRIBUTOR