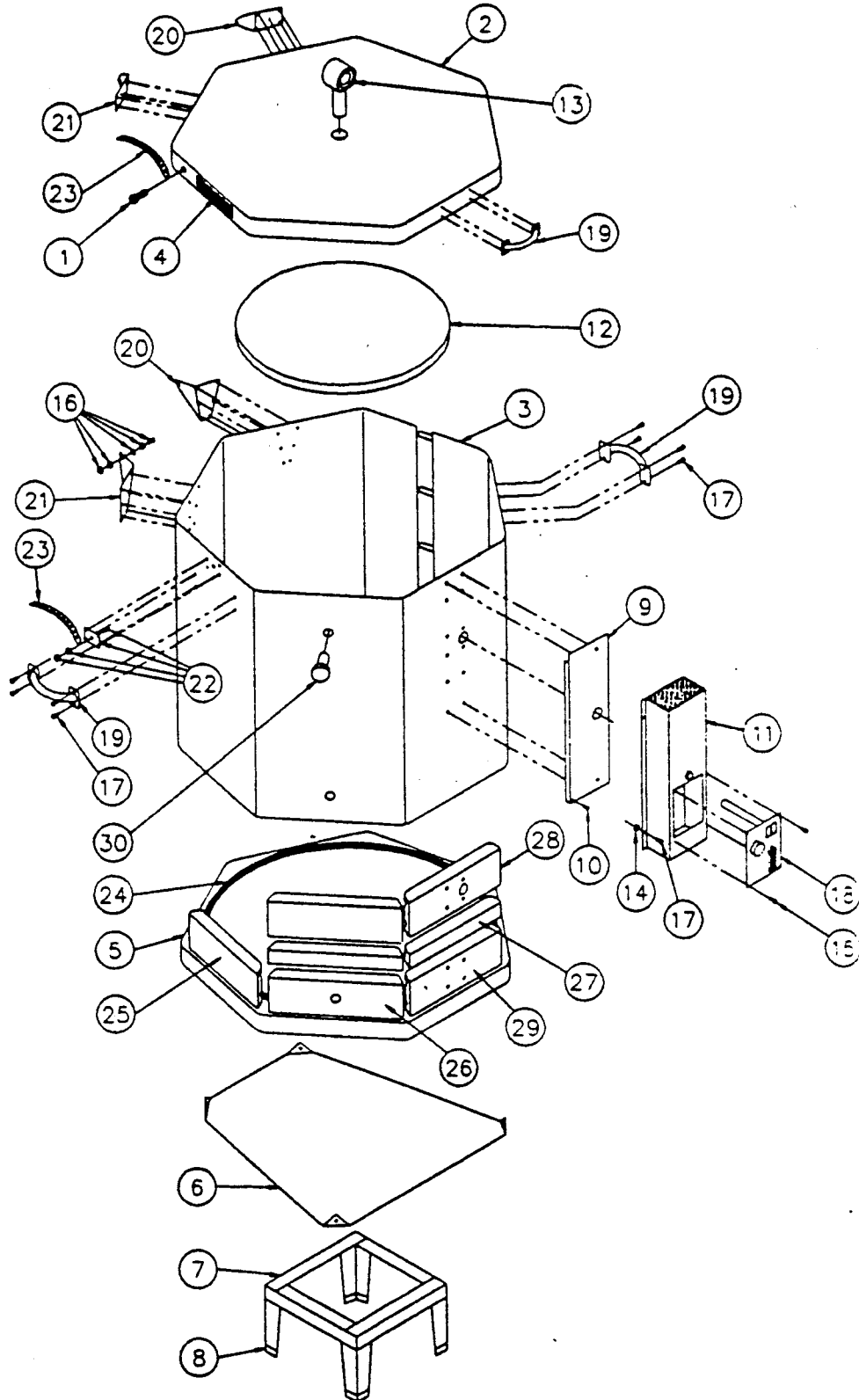


DUNCAN MODEL EA 716-6L

BODY PARTS

REF. PART

- | NO. | NO. | DESCRIPTION |
|-----|--------|------------------------------|
| 1. | KE 304 | #8-32 x 3/4" Machine Screw |
| 2. | KC 017 | 716 Fiber Lid w/Band |
| 3. | KC 079 | 716 Case w/Clamps |
| 4. | KE 045 | Case Clamp |
| 5. | KC 004 | 716 Fiber Bottom |
| 6. | KP 301 | 716 Base Plate |
| 7. | KC 068 | 716 Stand w/Feet |
| 8. | KE 030 | Stand Feet |
| 9. | KP 021 | 716 Heat Shield |
| 10. | KE 302 | #8 x 1" Sheet Metal Screw |
| 11. | KC 038 | EA 716 Control Panel Shell |
| 12. | KA 116 | 716 Hearth Plate |
| 13. | KA 031 | Lid Vent Hole Plug |
| 14. | KE 341 | 1/8" Standoff |
| 15. | KE 303 | #6 x 1/2" Sheet Metal Screw |
| 16. | KC 222 | Hinge Pivot Kit |
| 17. | KE 301 | #8 x 1/2" Sheet Metal Screws |
| 18. | KM 208 | Kin-Sitter with Safety Timer |
| 19. | KE 009 | Handle |
| 20. | KC 201 | 716 Right Hinge w/ Pivot |
| 21. | KC 211 | 716 Left Hinge w/ Pivot |
| 22. | KC 339 | Lid Chain Mounting Plate |
| 23. | KE 102 | 716 Lid Chain |
| 24. | KE 203 | 716 Element (220V) |
| 25. | KB 001 | 716 Grooved Brick |
| 26. | KB 021 | 716 Peephole Brick |
| 27. | KB 041 | 716 Half Brick |
| 28. | KB 031 | 716 Kin-Sitter Brick |
| 29. | KB 011 | 716 Terminal Brick |
| 30. | KA 030 | Peephole Plug |



DUNCAN CERAMICS
 P.O. BOX 7609
 RESNO, CA. 93747

ORDER PARTS FROM YOUR AUTHORIZED DUNCAN CERAMICS DISTRIBUTOR.