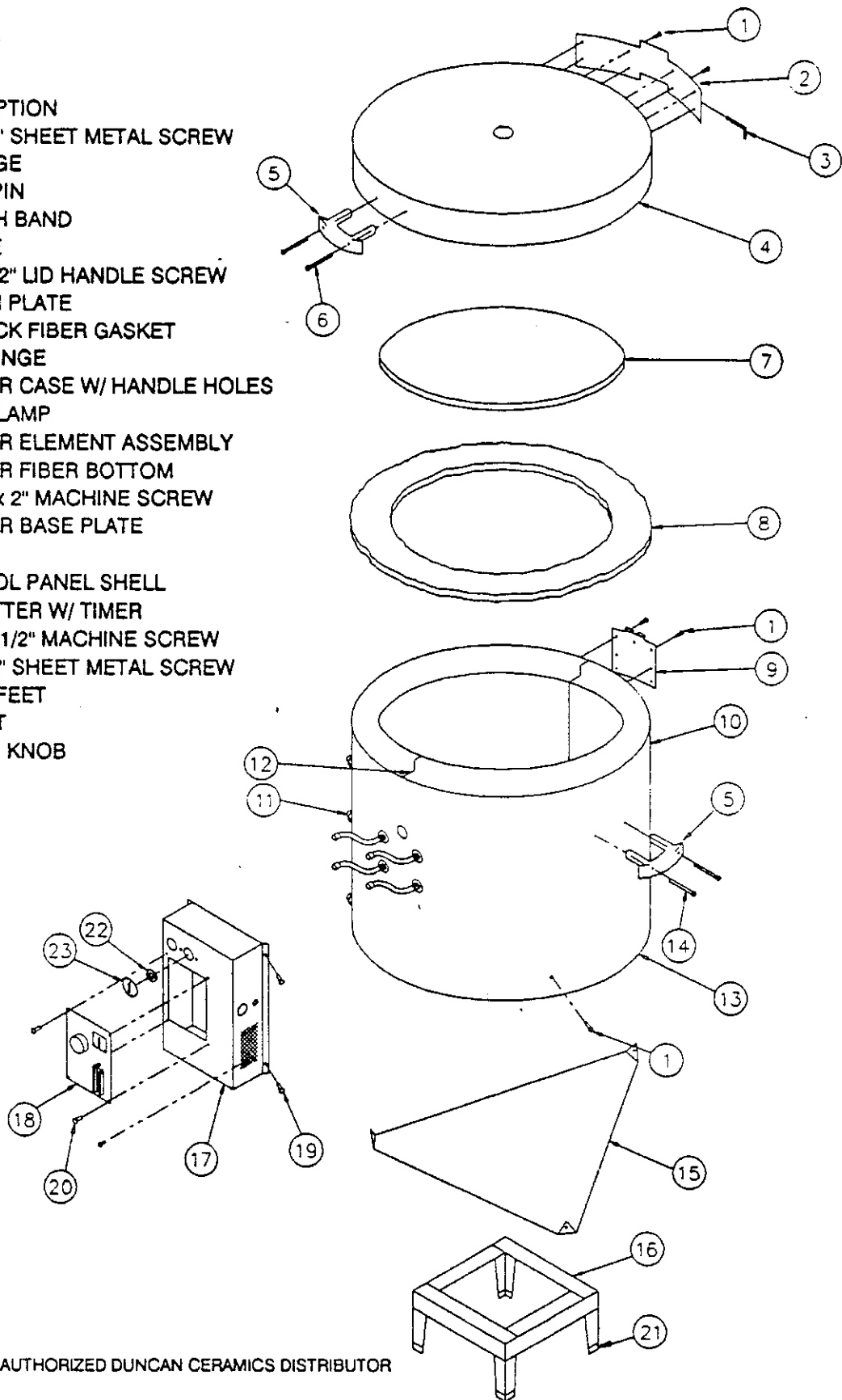


# DUNCAN MODEL ES 092

## BODY PARTS

REF NO.	PART NO.	DESCRIPTION
1.	KE 301	#8 x 1/2" SHEET METAL SCREW
2.	KC 216	LID HINGE
3.	KC 217	HINGE PIN
4.	KC 020	LID WITH BAND
5.	KE 013	HANDLE
6.	KE 316	#8-32 x 2" LID HANDLE SCREW
7.	KA 120	HEARTH PLATE
8.	KP 310	1/4" THICK FIBER GASKET
9.	KC 219	CASE HINGE
10.	KC 094	CRAFTER CASE W/ HANDLE HOLES
11.	KE 045	CASE CLAMP
12.	KE 260	CRAFTER ELEMENT ASSEMBLY
13.	KC 007	CRAFTER FIBER BOTTOM
14.	KE 350	#10-32 x 2" MACHINE SCREW
15.	KP 315	CRAFTER BASE PLATE
16.	KC 065	STAND
17.	KC 036	CONTROL PANEL SHELL
18.	KM 206	KILN-SITTER W/ TIMER
19.	KE 318	#8-32 x 1/2" MACHINE SCREW
20.	KE 303	#6 x 1/2" SHEET METAL SCREW
21.	KE 030	STAND FEET
22.	KM 302	PAL NUT
23.	KM 316	SWITCH KNOB



DUNCAN CERAMICS  
P.O. BOX 7609  
FRESNO, CA. 93747

ORDER PARTS FROM YOUR AUTHORIZED DUNCAN CERAMICS DISTRIBUTOR