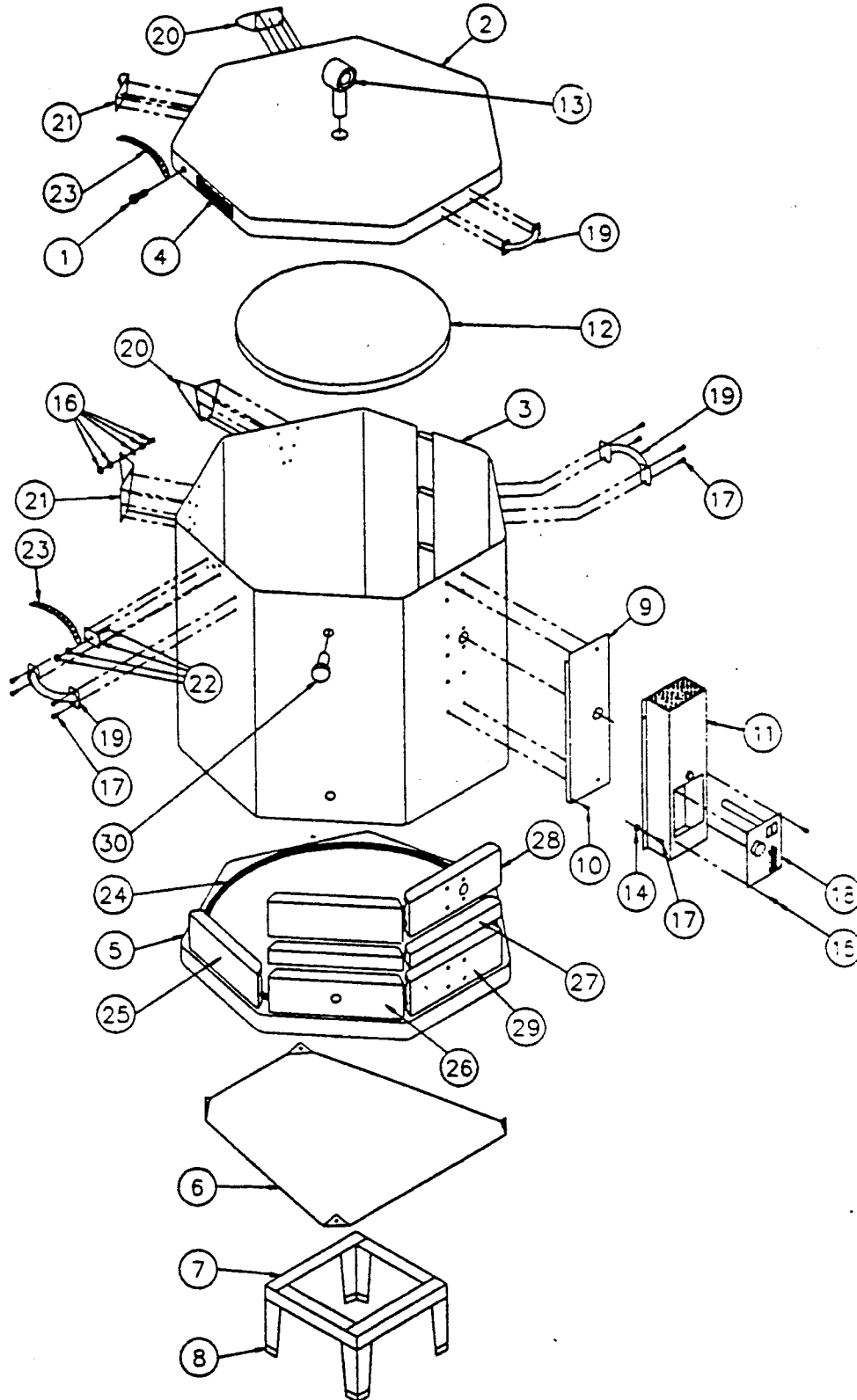


DUNCAN MODEL EA 716-6L

BODY PARTS

- | REF. NO. | PART NO. | DESCRIPTION |
|----------|----------|------------------------------|
| 1. | KE 304 | #8-32 x 3/4" Machine Screw |
| 2. | KC 017 | 716 Fiber Lid w/Band |
| 3. | KC 079 | 716 Case w/Clamps |
| 4. | KE 045 | Case Clamp |
| 5. | KC 004 | 716 Fiber Bottom |
| 6. | KP 301 | 716 Base Plate |
| 7. | KC 068 | 716 Stand w/Feet |
| 8. | KE 030 | Stand Feet |
| 9. | KP 021 | 716 Heat Shield |
| 10. | KE 302 | #8 x 1" Sheet Metal Screw |
| 11. | KC 038 | EA 716 Control Panel Shell |
| 12. | KA 116 | 716 Hearth Plate |
| 13. | KA 031 | Lid Vent Hole Plug |
| 14. | KE 341 | 1/8" Standoff |
| 15. | KE 303 | #6 x 1/2" Sheet Metal Screw |
| 16. | KC 222 | Hinge Pivot Kit |
| 17. | KE 301 | #8 x 1/2" Sheet Metal Screws |
| 18. | KM 208 | Kin-Sitter with Safety Timer |
| 19. | KE 009 | Handle |
| 20. | KC 201 | 716 Right Hinge w/ Pivot |
| 21. | KC 211 | 716 Left Hinge w/ Pivot |
| 22. | KC 339 | Lid Chain Mounting Plate |
| 23. | KE 102 | 716 Lid Chain |
| 24. | KE 203 | 716 Element (220V) |
| 25. | KB 001 | 716 Grooved Brick |
| 26. | KB 021 | 716 Peephole Brick |
| 27. | KB 041 | 716 Half Brick |
| 28. | KB 031 | 716 Kin-Sitter Brick |
| 29. | KB 011 | 716 Terminal Brick |
| 30. | KA 030 | Peephole Plug |



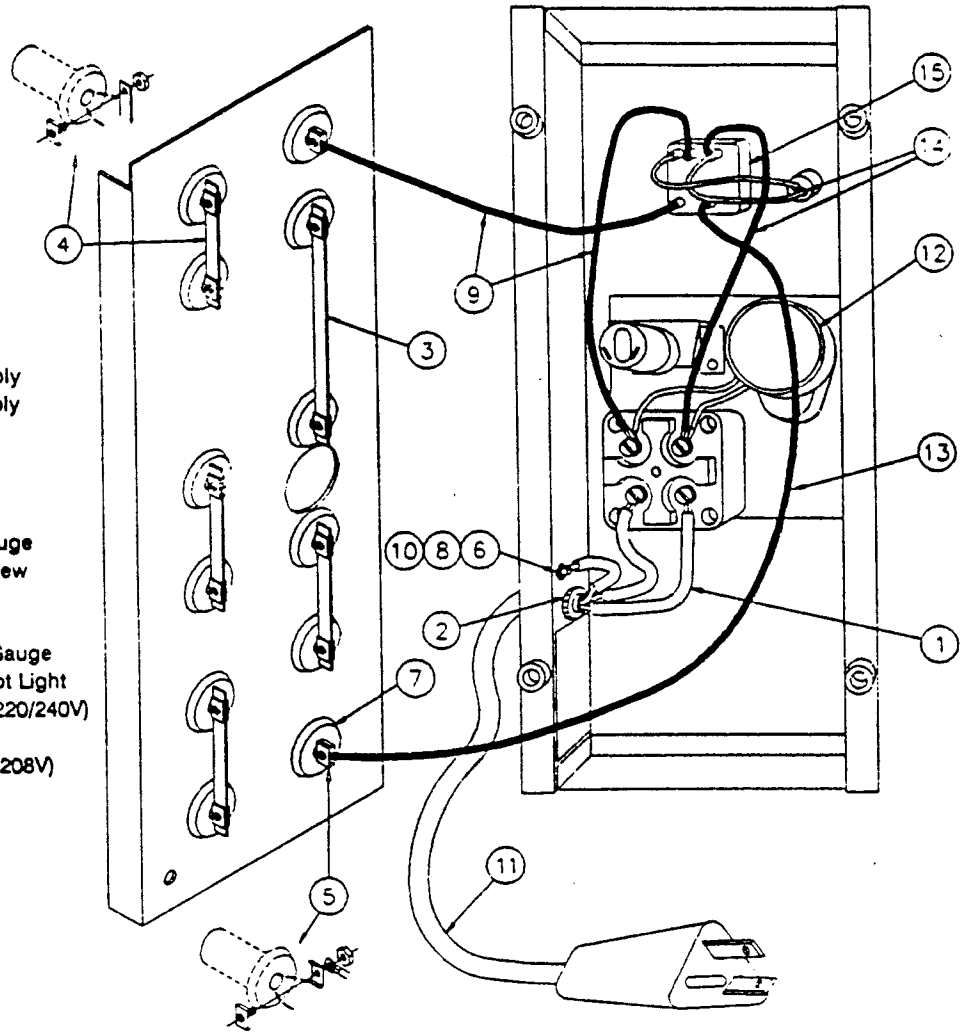
DUNCAN CERAMICS
 P.O. BOX 7609
 RESNO, CA. 93747

ORDER PARTS FROM YOUR AUTHORIZED DUNCAN CERAMICS DISTRIBUTOR.

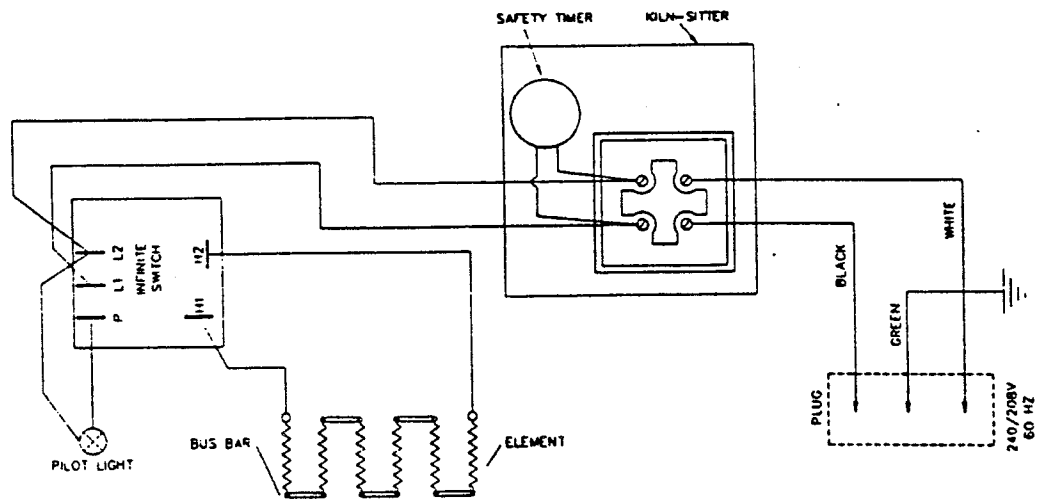
DUNCAN MODEL ES 716-1,-2,-3,-4

CONTROL PANEL PARTS

- | REF. NO. | PART NO. | DESCRIPTION |
|----------|----------|--------------------------------------|
| 1. | KM 382 | 4" Fiberglass Sleeving |
| 2. | KM 348 | 716 Cord Strain Relief |
| 3. | KC 301 | 716 Long Buss Bar Assembly |
| 4. | KC 309 | Standard Buss Bar Assembly |
| 5. | KC 319 | U-Terminal Assembly |
| 6. | KE 332 | #10-32 Hex Nut |
| 7. | KE 060 | Insulator |
| 8. | KE 321 | #10 Star Washer |
| 9. | KC 139 | 9" Connecting Wire, 12 Gauge |
| 10. | KE 311 | #10-32 x 3/8" Machine Screw |
| 11. | KM 321 | 716 Power Supply Cord |
| 12. | KM 067 | Timer Motor (60 HZ) |
| 13. | KC 138 | 14" Connecting Wire, 12 Gauge |
| 14. | KC 149 | 9" Connecting Wire, w/Pilot Light |
| 15. | KM 300 | Infinite Switch w/Pal Nut (220/240V) |
| | OR | |
| | KM 301 | Infinite Switch w/Pal Nut (208V) |



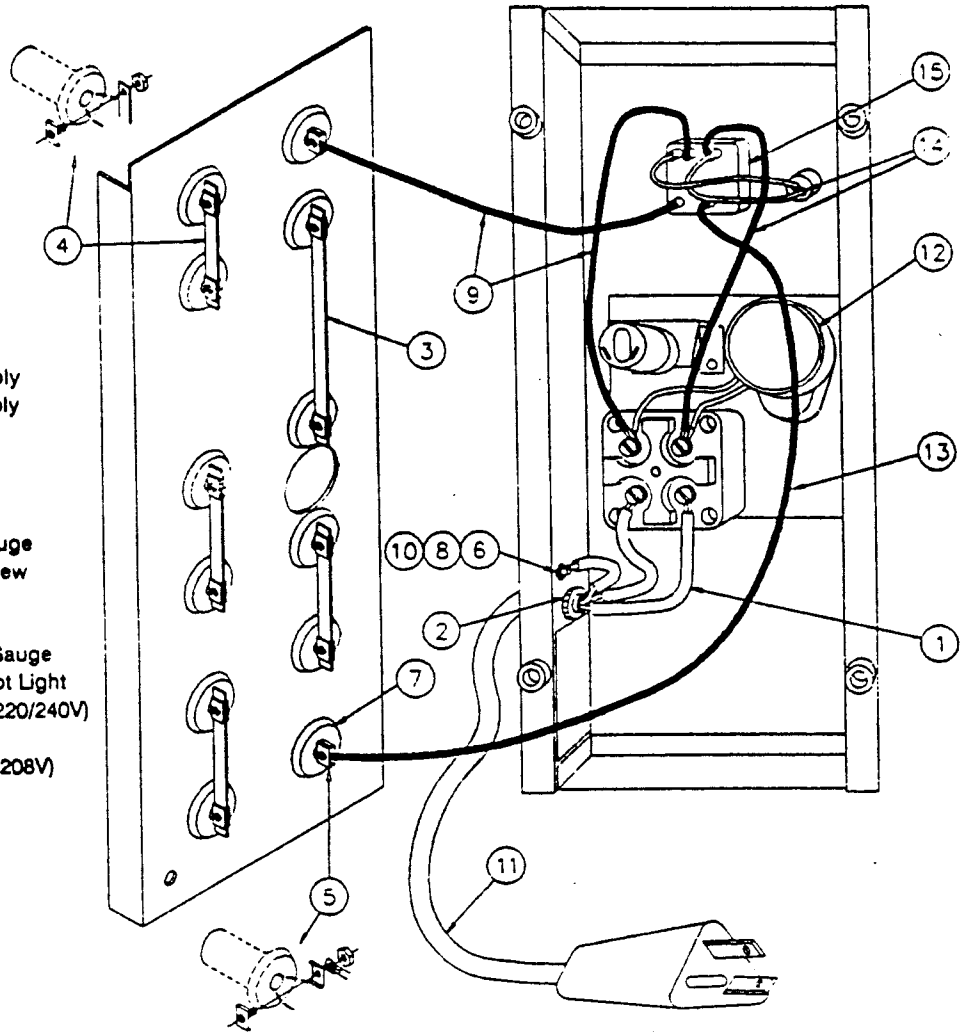
ELECTRICAL SCHEMATIC



DUNCAN MODEL ES 716-1,-2,-3,-4

CONTROL PANEL PARTS

REF. NO.	PART NO.	DESCRIPTION
1.	KM 382	4" Fiberglass Sleeving
2.	KM 348	716 Cord Strain Relief
3.	KC 301	716 Long Buss Bar Assembly
4.	KC 309	Standard Buss Bar Assembly
5.	KC 319	U-Terminal Assembly
6.	KE 332	#10-32 Hex Nut
7.	KE 060	Insulator
8.	KE 321	#10 Star Washer
9.	KC 139	9" Connecting Wire, 12 Gauge
10.	KE 311	#10-32 x 3/8" Machine Screw
11.	KM 321	716 Power Supply Cord
12.	KM 067	Timer Motor (60 HZ)
13.	KC 138	14" Connecting Wire, 12 Gauge
14.	KC 149	9" Connecting Wire, w/Pilot Light
15.	KM 300	Infinite Switch w/Pal Nut (220/240V)
	OR	
	KM 301	Infinite Switch w/Pal Nut (208V)



ELECTRICAL SCHEMATIC

