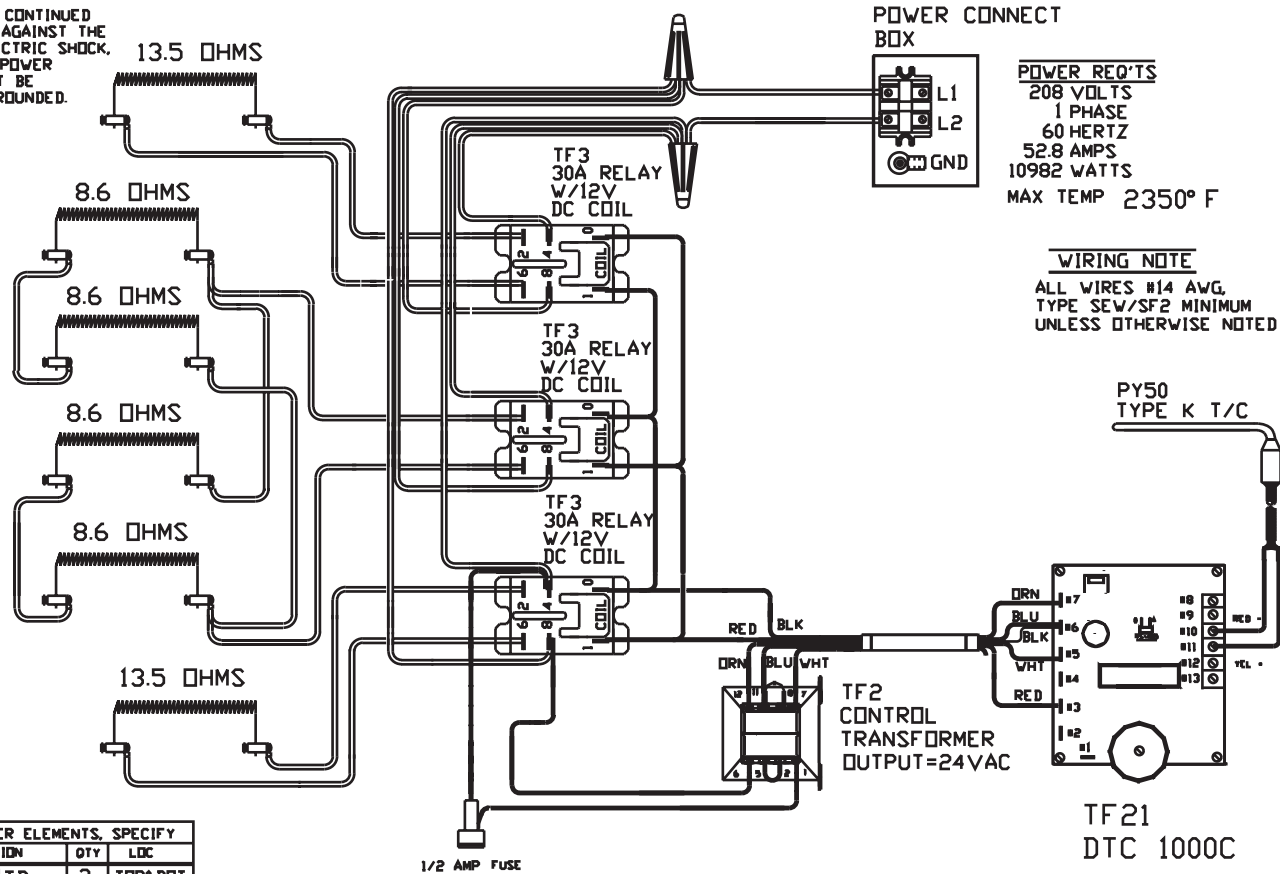


CAUTION

TO PROVIDE CONTINUED PROTECTION AGAINST THE RISK OF ELECTRIC SHOCK, CUSTOMER'S POWER SUPPLY MUST BE PROPERLY GROUNDED.



POWER REQ'TS
 208 VOLTS
 1 PHASE
 60 HERTZ
 52.8 AMPS
 10982 WATTS
 MAX TEMP 2350° F

WIRING NOTE
 ALL WIRES #14 AWG.
 TYPE SEW/SF2 MINIMUM
 UNLESS OTHERWISE NOTED

TO RE-ORDER ELEMENTS, SPECIFY		
DESCRIPTION	QTY	LOC
EL2241111TB	2	TOP&BOT
EL2241111M	4	MIDDLE

COMMENTS	PARAGON INDUSTRIES 2011 SOUTH TOWN EAST BLVD MESQUITE, TEXAS 75149	PRODUCT DESCRIPTION 22.5"DIA, 10 SIDES, 29"DP 208V, 1PH, 60HZ, 52.8A, 10982W	PART NO.	2241111A00	REV	-
			WIRING DIAGRAM			