

**WIRING NOTE**

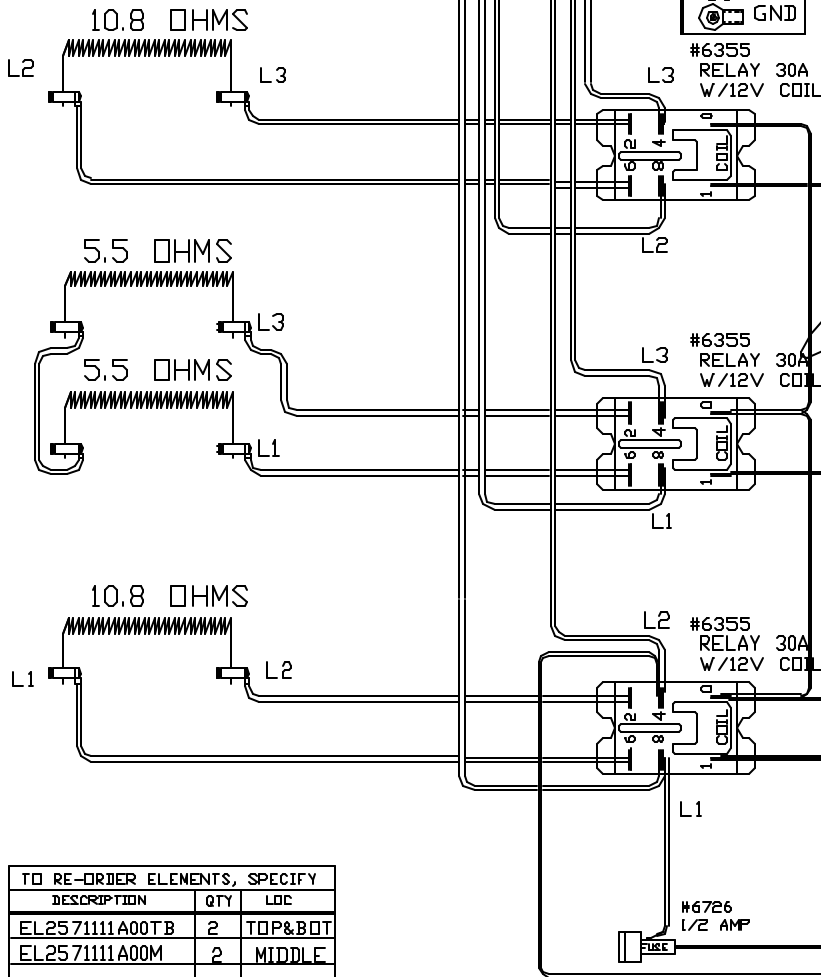
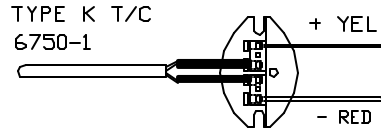
ALL WIRES #14 AWG,  
TYPE SEW/SF2 MINIMUM  
UNLESS OTHERWISE NOTED

POWER CONN.

**POWER REQ'TS**  
208 VOLTS  
3 PHASE  
60 HERTZ  
33 AMPS/LINE  
12000 WATTS

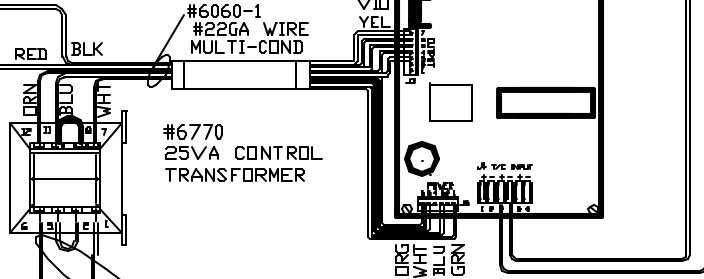
**CAUTION**

TO PROVIDE CONTINUED  
PROTECTION AGAINST THE  
RISK OF ELECTRIC SHOCK,  
CUSTOMER'S POWER  
SUPPLY MUST BE  
PROPERLY GROUNDED.



**CONTROL WIRING NOTE**

ALL CONTROL WIRES  
#20 AWG #4609  
UNLESS OTHERWISE NOTED



CONE FIRE  
SENTRY 2.0

TO RE-ORDER ELEMENTS, SPECIFY		
DESCRIPTION	QTY	LOC
EL257111A00TB	2	TOP&BOT
EL257111A00M	2	MIDDLE

NOTE: PLEASE REFER  
TO THIS NUMBER WHEN  
ORDERING PARTS FOR  
THIS KLN

IC  
2350°F

REV	DATE	BY	DESCRIPTION
-	7/30/02	DTB	

SWITCH BOX ASSY- 42020-10  
PARAGON INDUSTRIES  
2011 SOUTH TOWN EAST BLVD  
MESQUITE, TEXAS 75149

**WIRING DIAGRAM**  
208V, 3PHASE D, 60HZ 12000W

PART NO	REV
257111A00	-
TNF273-SECT	FILE