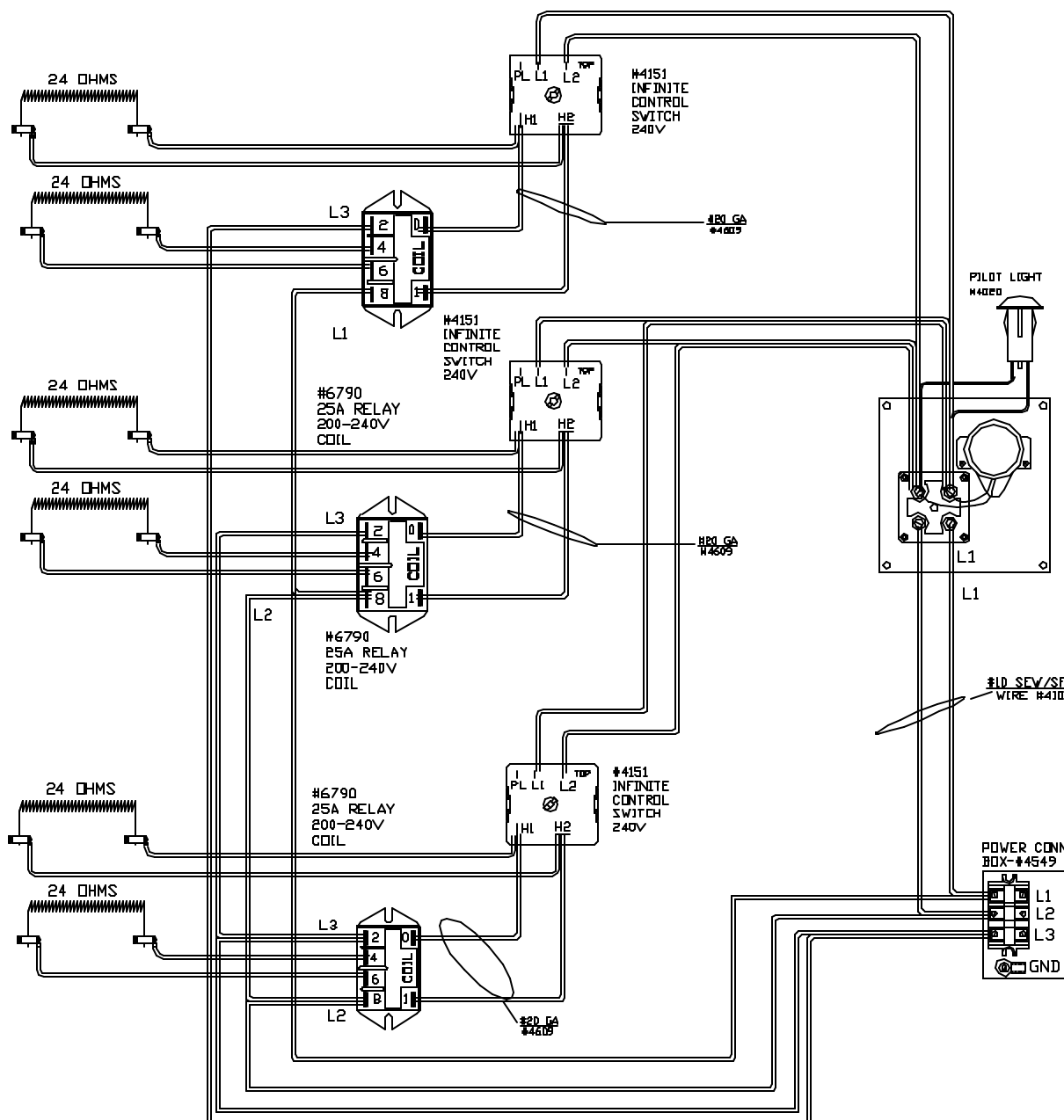


PART NO 2871181AFA



TO RE-ORDER ELEMENTS, SPECIFY		
DESCRIPTION	QTY	LOC
EL2871181AFA	6	TOP, BOT & MID

#4043
240V 60HZ
KILN SITTER
W/LIM. TIMER
& 4" TUBE
ASSY #4041

CAUTION
TO PROVIDE CONTINUED PROTECTION AGAINST THE RISK OF ELECTRIC SHOCK, CUSTOMER'S POWER SUPPLY MUST BE PROPERLY GROUNDED.

NOTE: GROUNDING SCREW TO HAVE A GREEN COLORED SLOTTED AND/OR HEX HEAD NO SUBSTITUTES. USE #1005

NOTE: THE SURFACE OF THE INSULATED WIRES MARKED ⊗ TO BE COLORED GREEN, WITH OR WITHOUT ONE OR MORE YELLOW STRIPES.

WIRING NOTE
ALL WIRES #14 AWG, TYPE SEW/SF2 MINIMUM UNLESS OTHERWISE NOTED

POWER REQ'TS
208 VOLTS
3 PHASE
60 HERTZ
38A MAX AMPS
10800 WATTS

2150° F
I/C
UL/CUL LISTED

NOTE: PLEASE REFER TO THIS NUMBER WHEN ORDERING PARTS FOR THIS KILN

REV	DATE	BY	DESCRIPTION
-	12/16/04	DTB	
A	12/22/04	DTB	TIED BTM REL TO MID REL

SWITCH BOX ASSY- 42042-3
PARAGON INDUSTRIES
2011 SOUTH TOWN EAST BLVD
MESQUITE, TEXAS 75149

WIRING DIAGRAM
208V, 3 PHASE, 60HZ, 10800WATTS

PART NO.	REV
2871181AFA	A
S283-KSLT	FILE