

NOTE: THE TOP ELEMENTS ARE EMBEDDED IN BOARD MATERIAL. ALL THREE ELEMENTS ARE DIFFERENT IN MATERIAL SIZE. SPECIFY LOCATION WHEN ORDERING. ALSO SPECIFY COMPLETE PART NO FOR KILN.

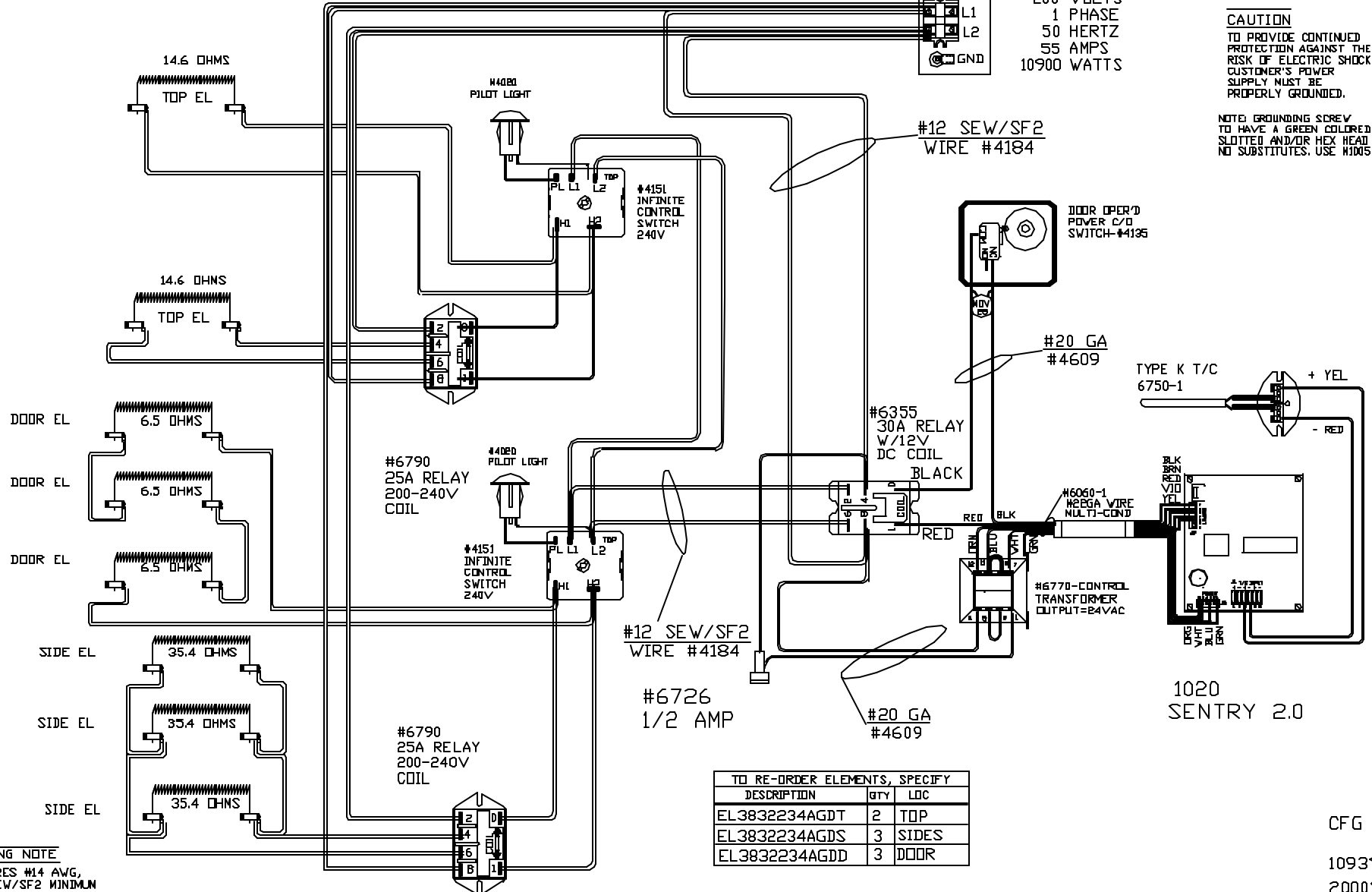
PART NO 3832234AGD

POWER CONN. BOX-#4545

POWER REQ'TS
200 VOLTS
1 PHASE
50 HERTZ
55 AMPS
10900 WATTS

CAUTION
TO PROVIDE CONTINUED PROTECTION AGAINST THE RISK OF ELECTRIC SHOCK, CUSTOMER'S POWER SUPPLY MUST BE PROPERLY GROUNDING.

NOTE: GROUNDING SCREW TO HAVE A GREEN COLORED SLOTTED AND/OR HEX HEAD. NO SUBSTITUTES. USE #1005



WIRING NOTE
ALL WIRES #14 AWG, TYPE SEW/SF2 MINIMUM UNLESS OTHERWISE NOTED.

TO RE-ORDER ELEMENTS, SPECIFY		
DESCRIPTION	QTY	LOC
EL3832234AGDT	2	TOP
EL3832234AGDS	3	SIDES
EL3832234AGDD	3	DOOR

CFG 5
1093°C
2000°F

REV	DATE	BY	DESCRIPTION
-	7/12/04	DTB	

SWITCH BOX ASSY- 40821-25
PARAGON INDUSTRIES
2011 SOUTH TOWN EAST BLVD
MESQUITE, TEXAS 75149

WIRING DIAGRAM
200V, 1 PHASE, 50HZ, 10900WATTS

PART NO.	REV
3832234AGD	-
GL24AD-1020	FILE