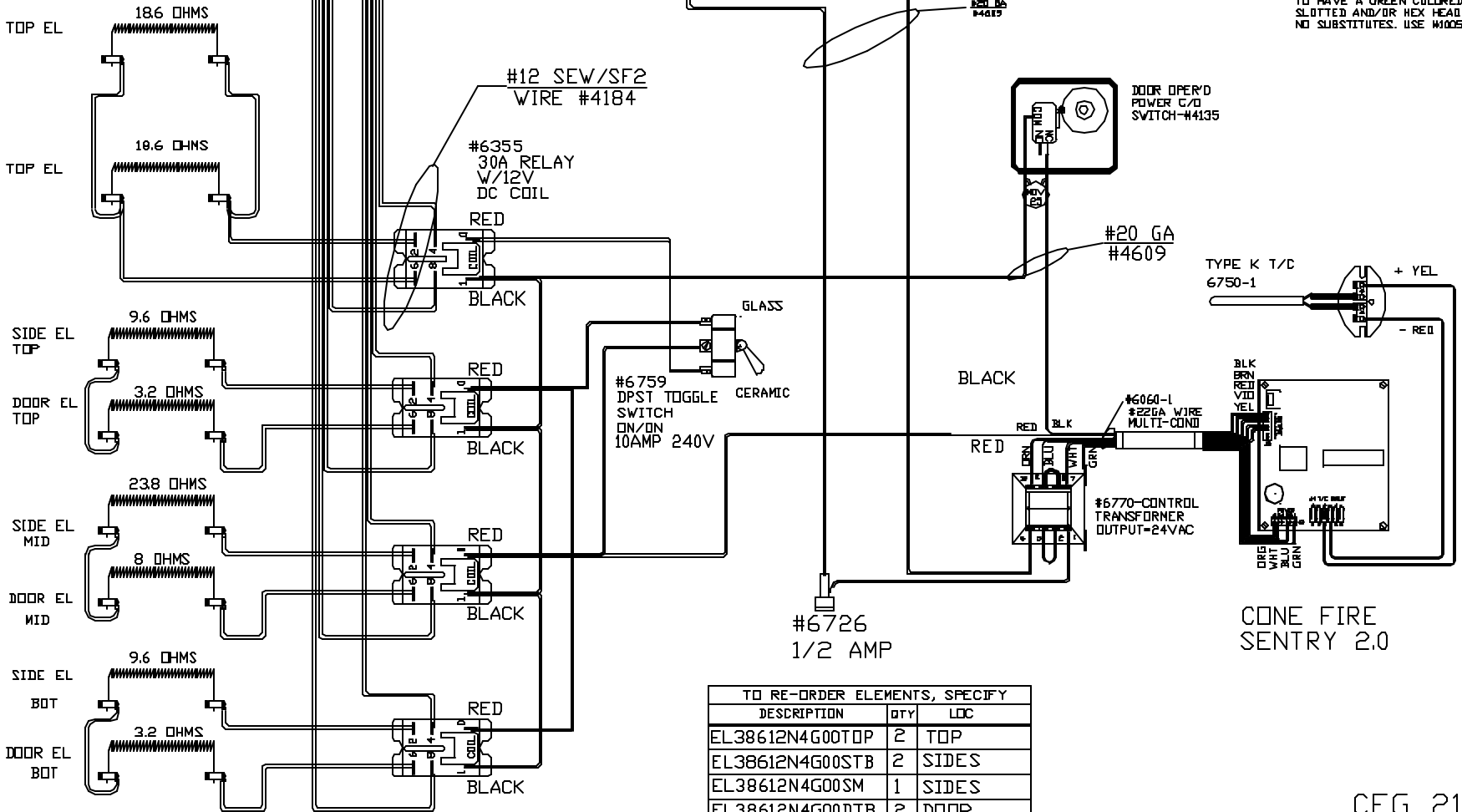


WIRING NOTE
 ALL WIRES #14 AWG,
 TYPE SEW/SF2 MINIMUM
 UNLESS OTHERWISE NOTED



POWER REQ'TS
 240 VOLTS
 1 PHASE
 60 HERTZ
 45 AMPS
 10800 WATTS

CAUTION
 TO PROVIDE CONTINUED
 PROTECTION AGAINST THE
 RISK OF ELECTRIC SHOCK,
 CUSTOMER'S POWER
 SUPPLY MUST BE
 PROPERLY GROUNDING.

NOTE: GROUNDING SCREW
 TO HAVE A GREEN COLORED
 SLOTTED AND/OR HEX HEAD
 NO SUBSTITUTES. USE #1000

TO RE-ORDER ELEMENTS, SPECIFY

DESCRIPTION	QTY	LDC
EL38612N4G00TOP	2	TOP
EL38612N4G00STB	2	SIDES
EL38612N4G00SM	1	SIDES
EL38612N4G00DTB	2	DOOR
EL38612N4G00DM	1	DOOR

CFG 21
 2350°F

REV	DATE	BY	DESCRIPTION
-	9/24/04	DTB	
A	8/18/05	DTB	CHG WIRE FOR TOP EL TO 12GA

SWITCH BOX ASSY- 42056-1
 PARAGON INDUSTRIES
 2011 SOUTH TOWN EAST BLVD
 MESQUITE, TEXAS 75149

WIRING DIAGRAM
 240V, 1 PHASE, 60HZ, 10800WATTS

PART NO. 38612N4G00
 DUAL PURPOSE 24
 REV A