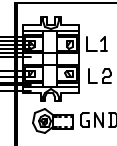


#6073 FUSE BLOCK (2 EA)
600V 30A 3P
USES (6) 30A
CLASS CC FUSES #6076-1

POWER CONN.
BOX-#4545-3



POWER REQ'TS
208 VOLTS
1 PHASE
60 HERTZ
55 AMPS
11440 WATTS

CAUTION

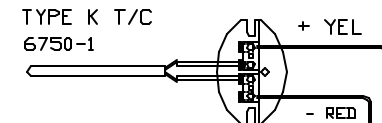
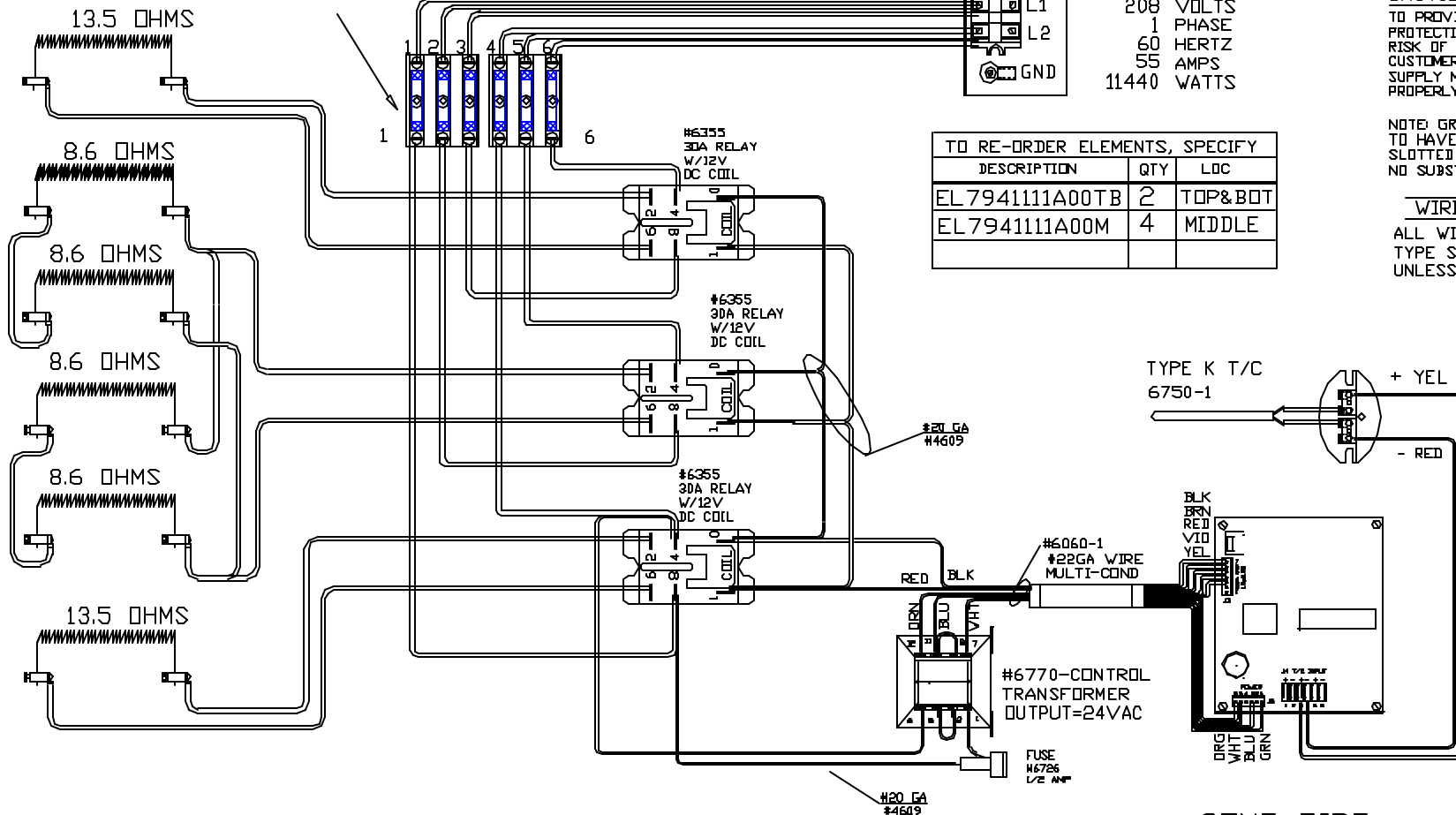
TO PROVIDE CONTINUED PROTECTION AGAINST THE RISK OF ELECTRIC SHOCK, CUSTOMER'S POWER SUPPLY MUST BE PROPERLY GROUNDED.

NOTE: GROUNDING SCREW TO HAVE A GREEN COLORED SLOTTED AND/OR HEX HEAD NO SUBSTITUTES. USE #1005

WIRING NOTE

ALL WIRES #12 AWG, TYPE SEW/SF2 MINIMUM UNLESS OTHERWISE NOTED

TO RE-ORDER ELEMENTS, SPECIFY		
DESCRIPTION	QTY	LOC
EL7941111A00TB	2	TOP&BOT
EL7941111A00M	4	MIDDLE



CONE FIRE SENTRY 2.0

NOTE: PLEASE REFER TO THIS NUMBER WHEN ORDERING PARTS FOR THIS KILN

CFG 21
2350°F

SWITCH BOX ASSY- 42022-4

REV	DATE	BY	DESCRIPTION
-	4/14/05	JTB	

PARAGON INDUSTRIES
2011 SOUTH TOWN EAST BLVD
MESQUITE, TEXAS 75149

WIRING DIAGRAM
208V, 1 PHASE, 60HZ, 11440WATTS

PART NO.	REV
7941111A00	-
TNF243-SEN-C	FILE