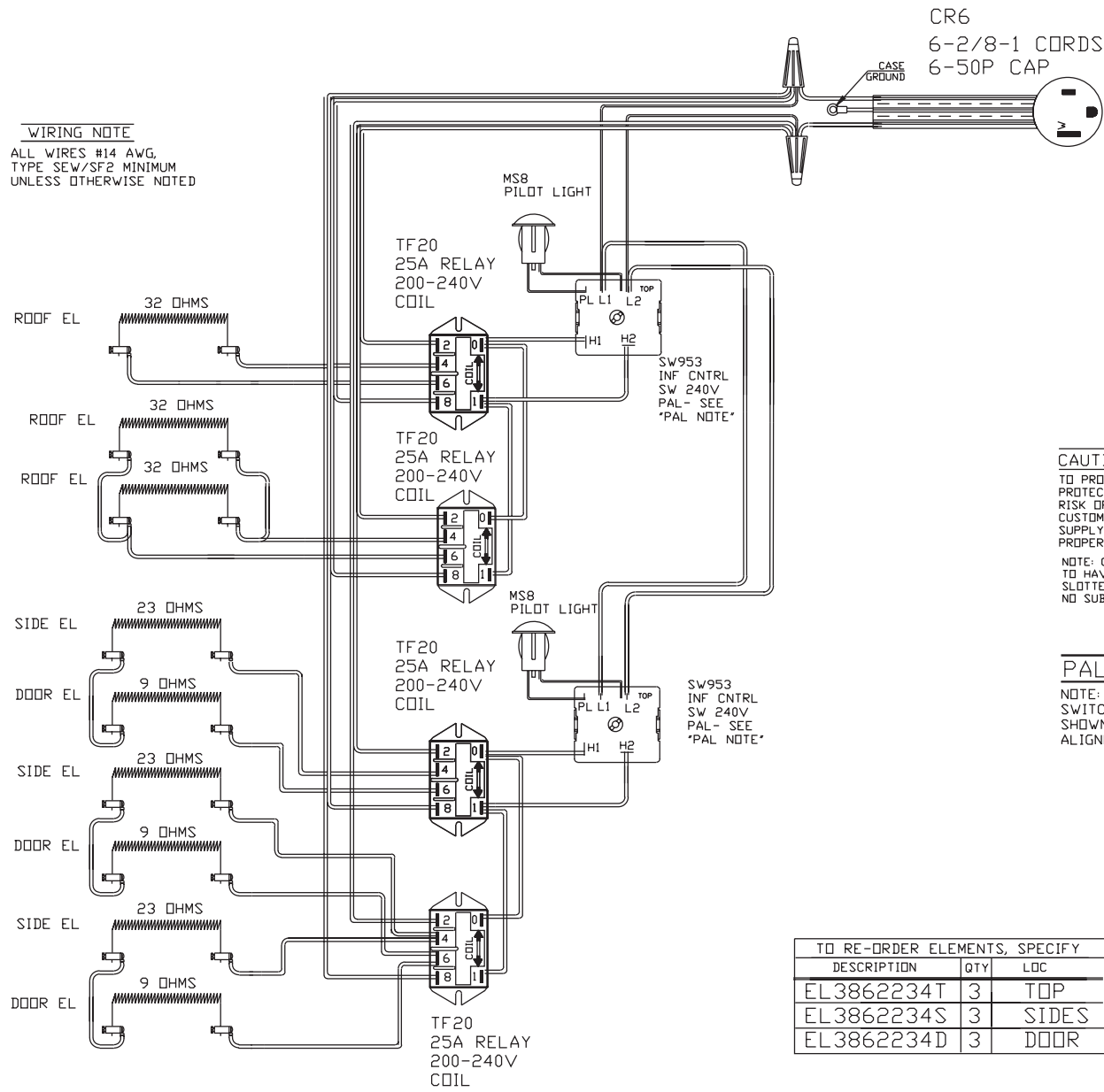


WIRING NOTE
 ALL WIRES #14 AWG.
 TYPE SEW/SF2 MINIMUM
 UNLESS OTHERWISE NOTED



POWER REQ'TS
 240 VOLTS
 1 PHASE
 60 HERTZ
 45 AMPS
 10800 WATTS
 MAX TEMP 1700°F

CAUTION
 TO PROVIDE CONTINUED
 PROTECTION AGAINST THE
 RISK OF ELECTRIC SHOCK,
 CUSTOMER'S POWER
 SUPPLY MUST BE
 PROPERLY GROUNDED.
 NOTE: GROUNDING SCREW
 TO HAVE A GREEN COLORED
 SLOTTED AND/OR HEX HEAD
 NO SUBSTITUTES. USE #1005

PAL NOTE
 NOTE: INSTALL PALLADIUM
 SWITCH 180° FROM POSITION
 SHOWN TO ENSURE PROPER
 ALIGNMENT OF KNOB.

TO RE-ORDER ELEMENTS, SPECIFY

DESCRIPTION	QTY	LOC
EL3862234T	3	TOP
EL3862234S	3	SIDES
EL3862234D	3	DOOR

COMMENTS

PARAGON INDUSTRIES
 2011 SOUTH TOWN EAST BLVD
 MESQUITE, TEXAS 75149

PRODUCT DESCRIPTION
 24"W, 15"H, 22.5"DP
 240V, 1PH, 60HZ, 45A, 10800W

PART NO.	GL24ATSD	REV -
	WIRING DIAGRAM	