

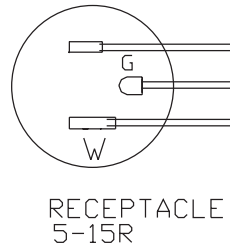
CR4
 #14-3 CORDSET
 5-15P CAP

120 VOLTS
 1 PHASE
 15 AMPS
 1800 WATTS

PY60
 TYPE K T/C

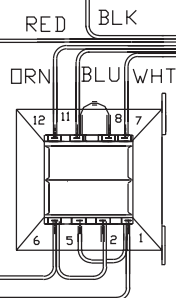
TF3
 30A RELAY
 W/12V
 DC COIL

CASE
 GROUND

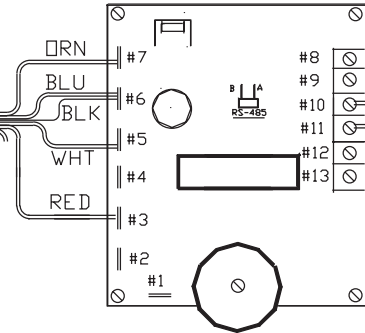


RECEPTACLE
 5-15R

1/2 AMP FUSE



TF2
 CONTROL
 TRANSFORMER
 OUTPUT=24VAC



TF22
 DTC 1020

COMMENTS DIGITAL CONTROLLER	PARAGON INDUSTRIES 2011 SOUTH TOWN EAST BLVD MESQUITE, TEXAS 75149	PRODUCT DESCRIPTION 15.25"L, 6.5"W, 4.25"DP 120V, 1PH, 60HZ, 15A, 1800W	PART NO. TNFII-43	REV -
			WIRING DIAGRAM	