

TO RE-ORDER ELEMENTS, SPECIFY		
DESCRIPTION	QTY	LOC
ELTNF243TB	2	TOP&BOT
ELTNF243M	4	MIDDLE

1/2 AMP FUSE

WIRING NOTE

ALL WIRES #14 AWG,
TYPE SEW/SF2 MINIMUM
UNLESS OTHERWISE NOTED

UL/CUL LISTED

CR6
6-2/8-1 CORDSET
6-50P CAP

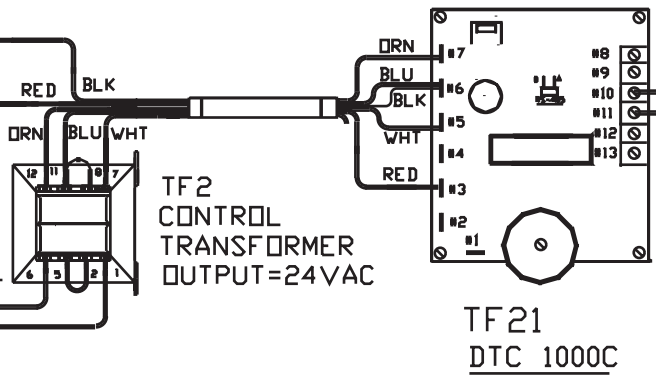
CAUTION
TO PROVIDE CONTINUED
PROTECTION AGAINST THE
RISK OF ELECTRIC SHOCK,
CUSTOMER'S POWER
SUPPLY MUST BE
PROPERLY GROUNDED.

NOTE: GROUNDING SCREW
TO HAVE A GREEN COLORED
SLOTTED AND/OR HEX HEAD
NO SUBSTITUTES. USE #1005

NOTE: THE SURFACE OF THE
INSULATED WIRES MARKED (X)
TO BE COLORED GREEN, WITH
OR WITHOUT ONE OR MORE
YELLOW STRIPES.

POWER REQ'TS
240 VOLTS
1 PHASE
60 HERTZ
45 AMPS
10800 WATTS
MAX TEMP 2350° F

PY50
TYPE K T/C



COMMENTS

PARAGON INDUSTRIES
2011 SOUTH TOWN EAST BLVD
MESQUITE, TEXAS 75149

PRODUCT DESCRIPTION
10 SIDES, 22.5" DIA, 29" DP
240V, 1PH, 60HZ, 45A, 10800W

<u>PART NO</u>	TNF243	<u>REV</u>	-
WIRING DIAGRAM			