

NOTE: THE TOP ELEMENTS ARE EMBEDDED IN BOARD MATERIAL. ALL THREE ELEMENTS ARE DIFFERENT IN MATERIAL SIZE. SPECIFY LOCATION WHEN ORDERING. ALSO SPECIFY COMPLETE PART NO FOR KILN

WIRING NOTE
ALL WIRES #14 AWG, TYPE SEW/SF2 MINIMUM UNLESS OTHERWISE NOTED

TOP EL MUFFLE

TOP EL MUFFLE

TOP EL MUFFLE

SIDE EL

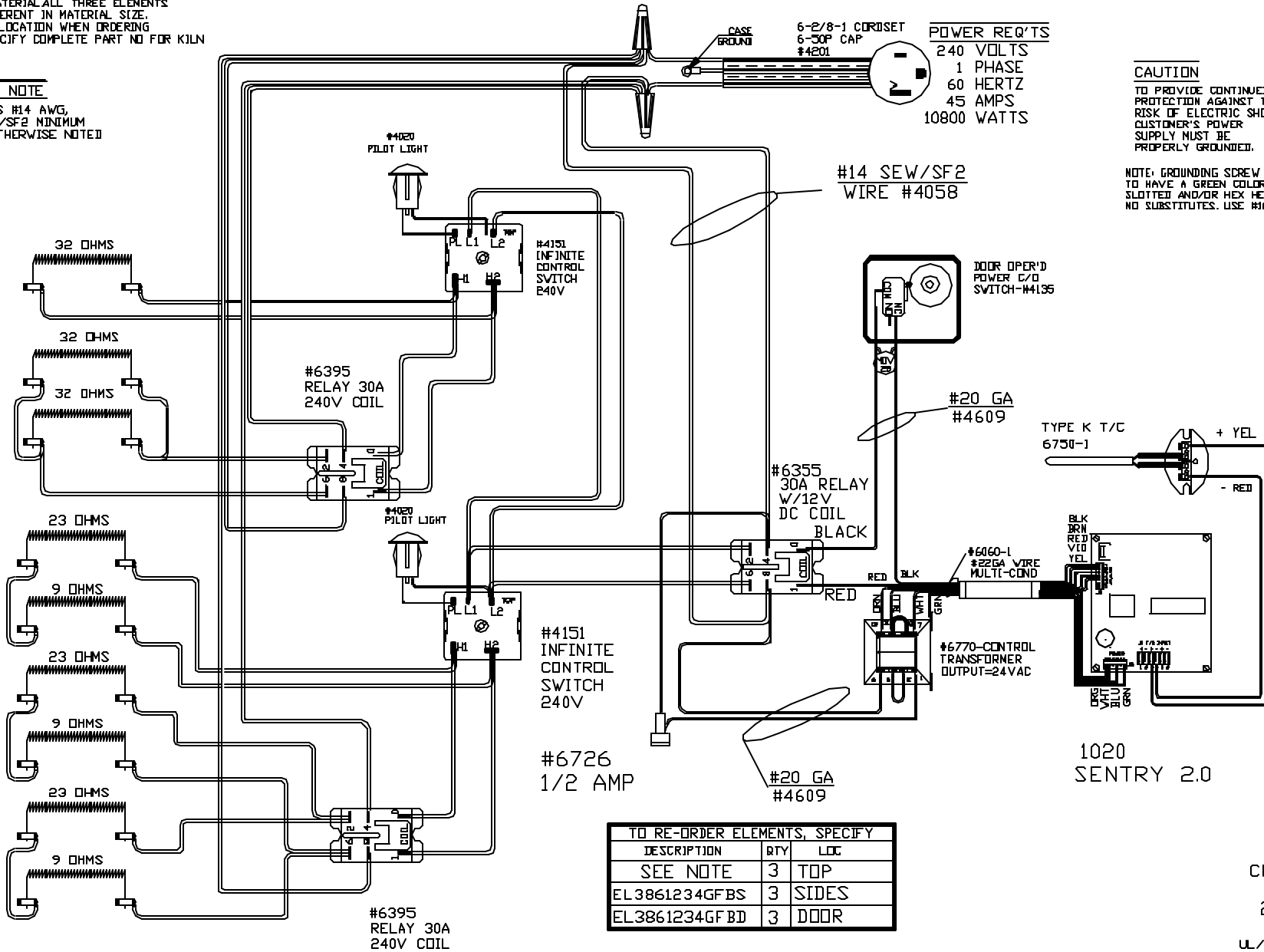
DOOR EL

SIDE EL

DOOR EL

SIDE EL

DOOR EL



POWER REQ'TS
240 VOLTS
1 PHASE
60 HERTZ
45 AMPS
10800 WATTS

CAUTION
TO PROVIDE CONTINUED PROTECTION AGAINST THE RISK OF ELECTRIC SHOCK, CUSTOMER'S POWER SUPPLY MUST BE PROPERLY GROUNDED.

NOTE: GROUNDING SCREW TO HAVE A GREEN COLORED SLOTTED AND/OR HEX HEAD NO SUBSTITUTES. USE #1005

TO RE-ORDER ELEMENTS, SPECIFY		
DESCRIPTION	QTY	LOC
SEE NOTE	3	TOP
EL3861234GFBS	3	SIDES
EL3861234GFBD	3	DOOR

CFG 5

2000°F

UL/CUL LISTED

REV	DATE	BY	DESCRIPTION
-	5/24/02	DTB	
A	11/19/03	DTB	CHGSBA, FROM OMERON TO P&B REL

SWITCH BOX ASSY- 40821-21
PARAGON INDUSTRIES
2011 SOUTH TOWN EAST BLVD
MESQUITE, TEXAS 75149

WIRING DIAGRAM
240V, 1 PHASE, 60HZ, 10800WATTS

PART NO.	REV
3861234GF B	A
GL24AD-1020	