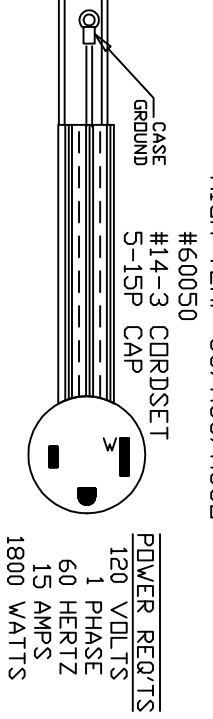


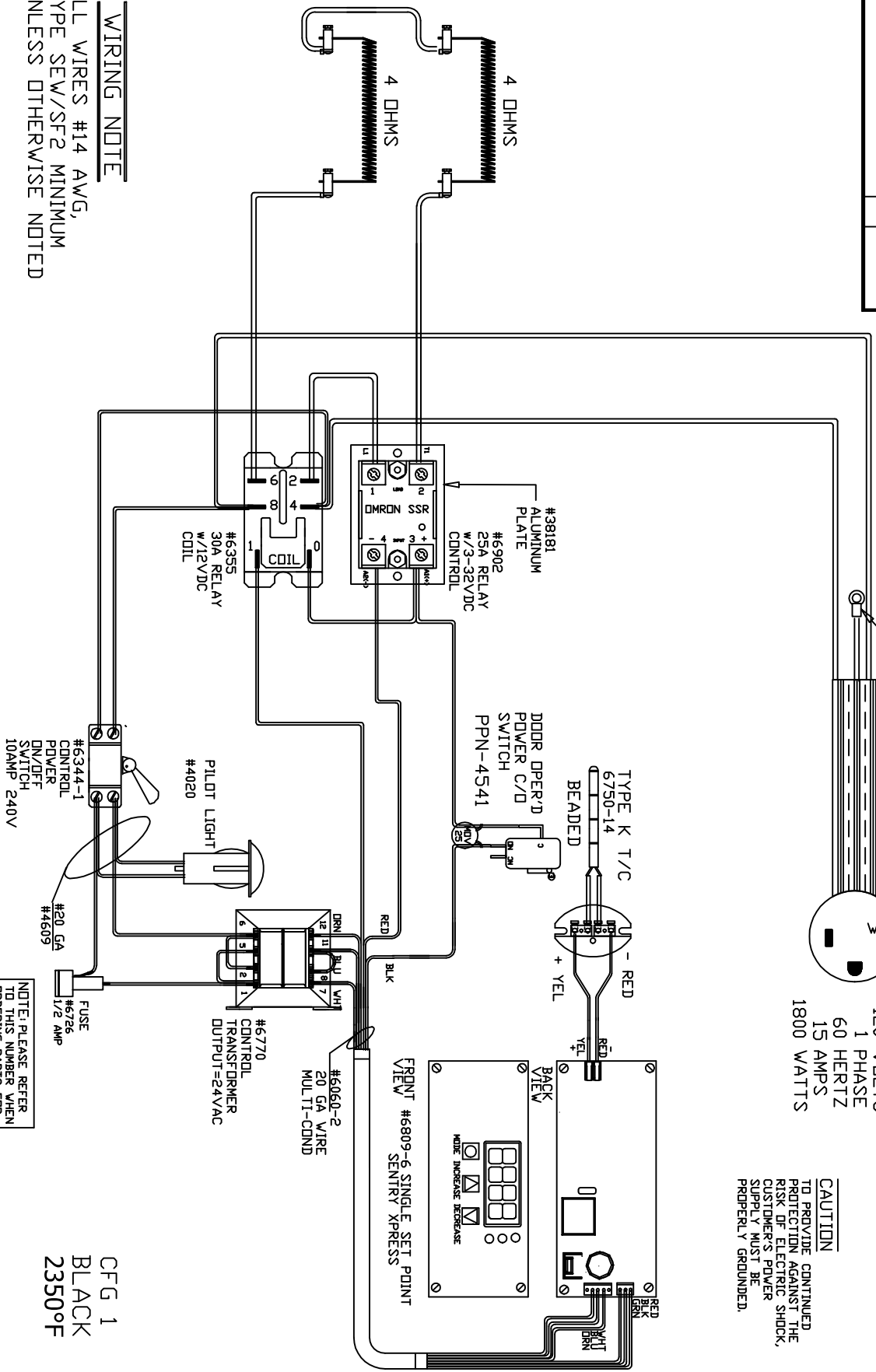
TO RE-ORDER ELEMENTS, SPECIFY		
DESCRIPTION	QTY	LOC
EL004.01133-36	2	SIDE

HIGH TEMP CS/HSJ/HSJD

PART NO 5D212JMB00



CAUTION
TO PROVIDE CONTINUED PROTECTION AGAINST THE RISK OF ELECTRIC SHOCK, CUSTOMER'S POWER SUPPLY MUST BE PROPERLY GROUNDED.



WIRING NOTE

ALL WIRES #14 AWG,
TYPE SEW/SF2 MINIMUM
UNLESS OTHERWISE NOTED

SWITCH BOX ASSY-42271-47

PARAGON INDUSTRIES
2011 SOUTH TOWN EAST BLVD
MESQUITE, TEXAS 75149

120V, 1 PHASE, 15A, 60HZ, 1800 WATTS

WIRING DIAGRAM

NOTE: PLEASE REFER TO THIS NUMBER WHEN ORDERING PARTS FOR THIS KILN

CFG 1
BLACK
2350°F

REV	DATE	BY	DESCRIPTION
-	6/27/18	MHK	

PART NO.	REV
5D212JMB00	-
KM18T	FILE