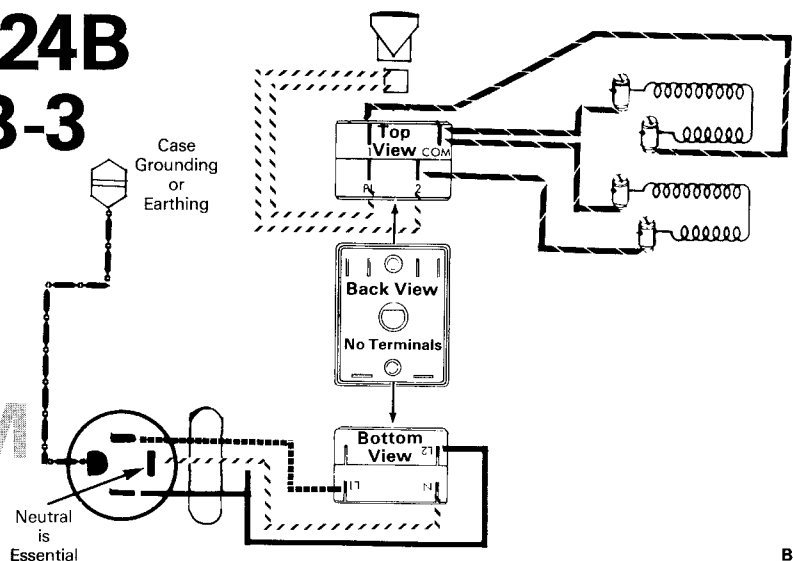


PARAGON KILN MODELS A-24B AND A-24B-3

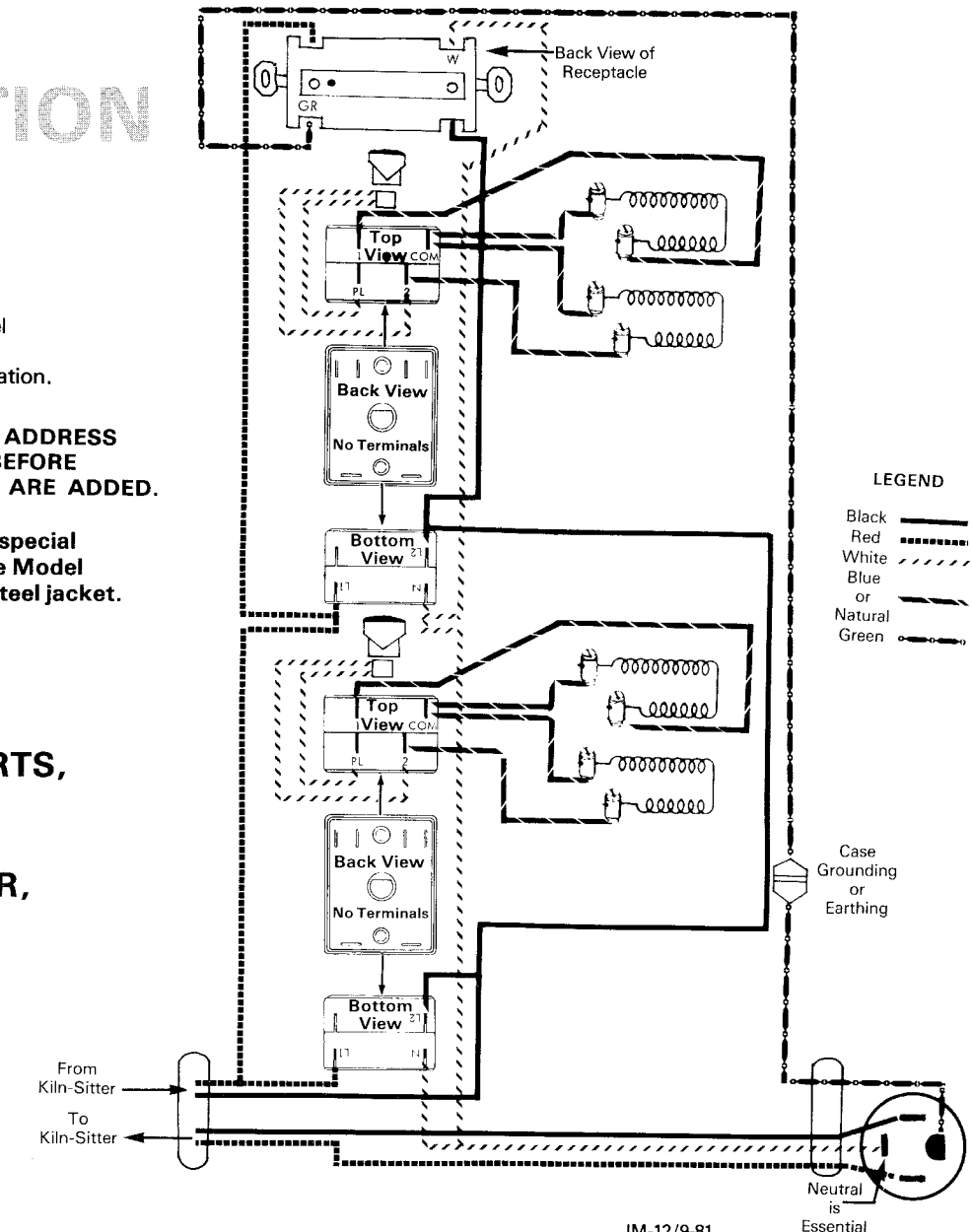
MODELS A-24B and A-24B-3
(4-way Rotary Switches with Push-on Terminals)

TOP SECTION

WIRING DIAGRAM AND PARTS IDENTIFICATION



BOTTOM SECTION



LEGEND

- Black ————
- Red - - - - -
- White / / / / /
- Blue ————
- or ————
- Natural ————
- Green ————

The models available for the CSA label have the kiln wiring terminated in a special box on the kiln for stationary installation.

MERCHANDISE TO BE SHIPPED TO ONE ADDRESS ON ONE ORDER MUST TOTAL \$5.00 BEFORE THE POSTAGE AND HANDLING CHARGES ARE ADDED.

Model Numbers ending in "3" have special 3" walls. The letter "B" following the Model Number means the kiln has a stainless steel jacket.

WHEN ORDERING PARTS, ALWAYS SPECIFY MODEL NUMBER, REFERENCE NUMBER, PART NUMBER, AND DESCRIPTION

Paragon Industries, Inc.
2011 South Town East Blvd.
Mesquite, Texas 75149-1122
214/288-7557