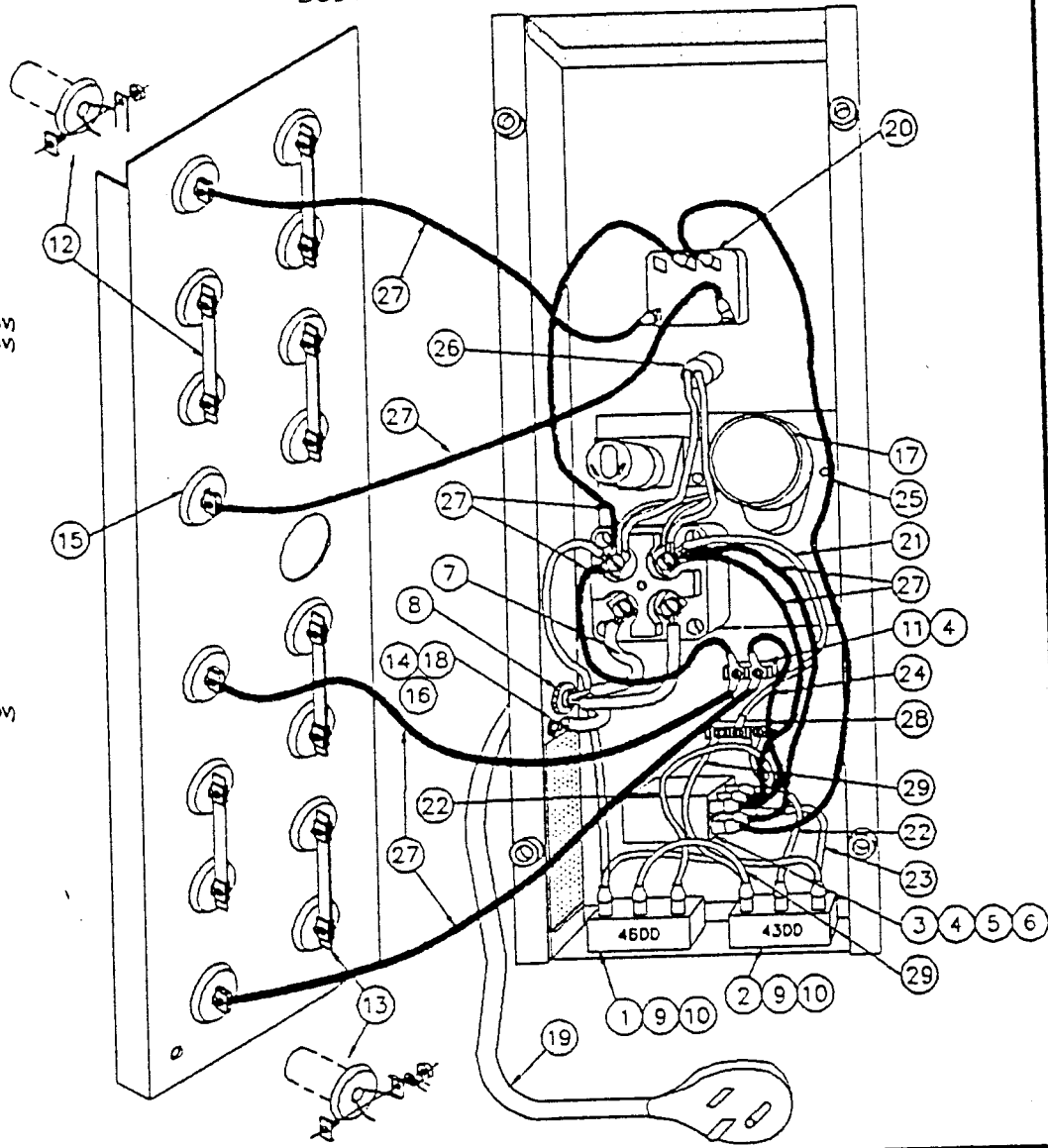


DUNCAN MODEL DA 1020-6L,-6Z

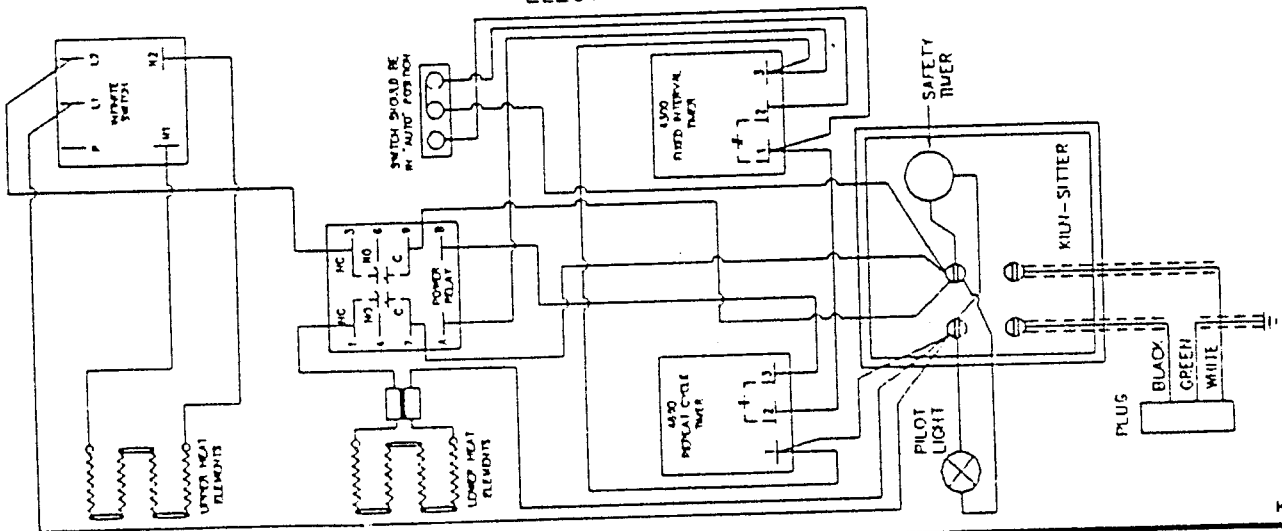
BODY PARTS

REF. PART

- | NO. | DESCRIPTION |
|-----|---|
| 1. | KM 326 4000 Repeat Cycle Timer (240/208V) |
| 2. | KM 325 4300 Fixed Interval Timer (240/208V) |
| 3. | KM 324 Power Relay (240/208V) |
| 4. | KE 314 #6-32 X 1/2" Machine Screw |
| 5. | KE 322 #8 Star Washer |
| 6. | KE 333 #6-32 Hex Nut |
| 7. | KM 343 4" Fiberglass Sleeving |
| 8. | KM 342 820, Cord Strain Relief |
| 9. | KE 307 #8-32 x 1-1/4" Machine Screw |
| 10. | KE 329 #8-32 hex Nut w/Washer |
| 11. | KE 090 2 Pole Terminal Strip |
| 12. | KC 309 Standard Buss Bar Assembly |
| 13. | KC 318 U-Terminal Assembly |
| 14. | KE 332 #10-32 Hex Nut |
| 15. | KE 000 Insulator |
| 16. | KE 321 #10 Star Washer |
| 17. | KM 067 Timer Motor (60 HZ) |
| 18. | KE 317 #10-32 x 3/8" Machine Screw |
| 19. | KM 330 1020/29 Power Supply Cord |
| 20. | KM 300 Infinite Switch w/Pal Nut (240/220V) |
| OR | |
| 21. | KM 301 Infinite Switch w/Pal Nut (208) |
| 22. | KC 189 10' Connecting Wire, 16 Gauge |
| 23. | KC 187 6' Connecting Wire, 16 Gauge |
| 24. | KC 171 10, 6, 6 Wire Combo, 16 Gauge |
| 25. | KC 177 6' Connecting Wire, 12 Gauge |
| 26. | KC 178 16' Connecting Wire, 12 Gauge |
| 27. | KC 163 EA Pilot Light |
| 28. | KC 136 8' Connecting Wire, 12 Gauge |
| 29. | KC 361 3 Position Switch |
| 30. | KC 173 6, 4 Wire Combo, 16 Gauge |



ELECTRICAL SCHEMATIC



208/240 VAC
60 HZ

KD0071