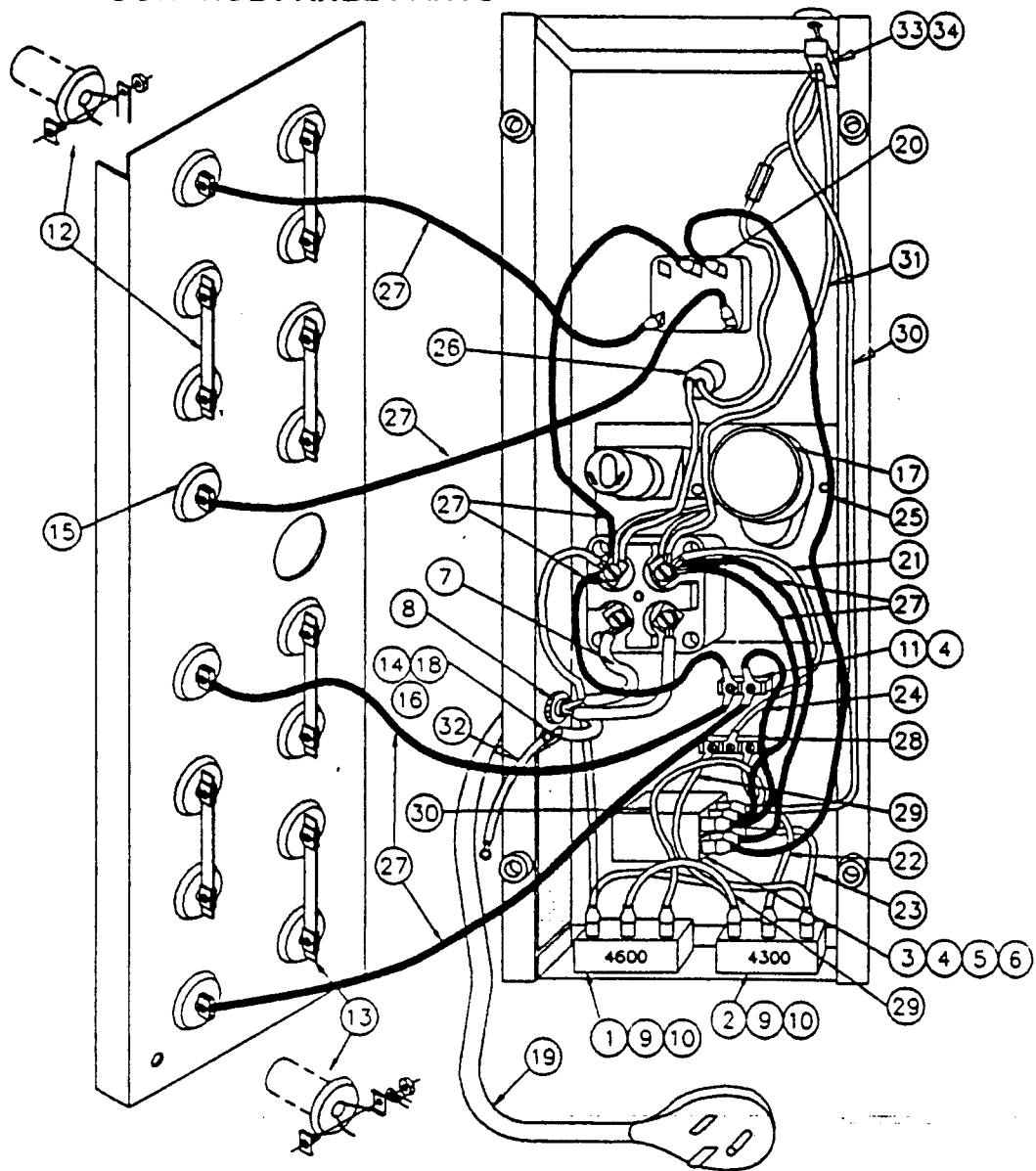


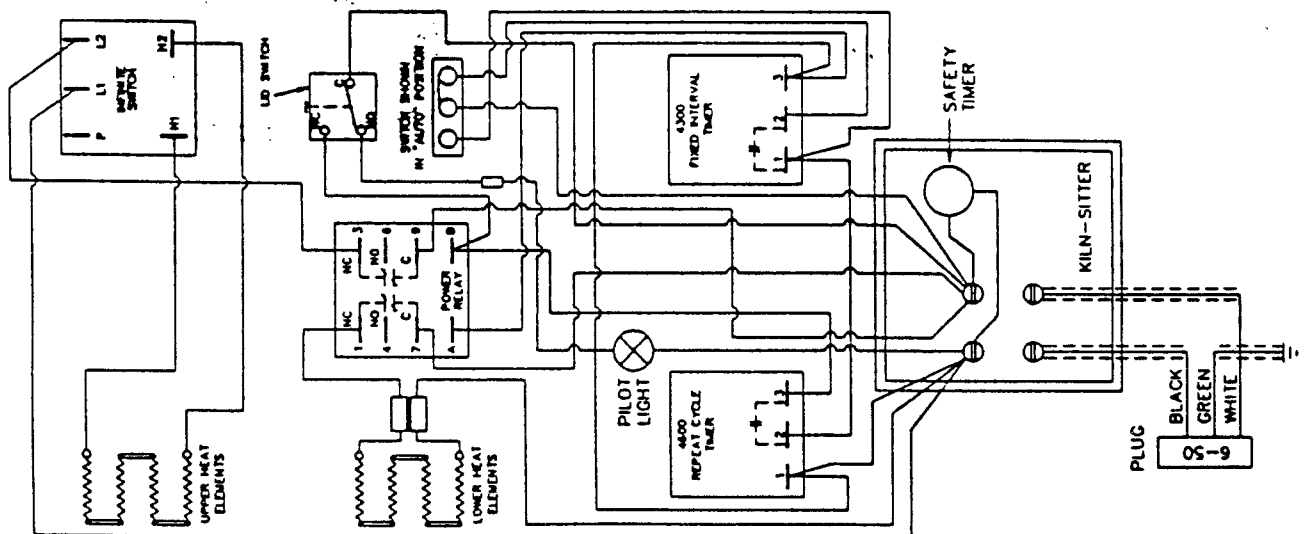
DUNCAN MODEL EA 1020-6J

CONTROL PANEL PARTS

- | REF. NO. | PART NO. | DESCRIPTION |
|----------|----------|--------------------------------------|
| 1. | KM 326 | 4800 Repeat Cycle Timer (240/208V) |
| 2. | KM 325 | 4300 Fixed Interval Timer (240/208V) |
| 3. | KM 324 | Power Relay (240/208V) |
| 4. | KE 314 | #6-32 X 1 1/2" Machine Screw |
| 5. | KE 322 | #6 Star Washer |
| 6. | KE 333 | #6-32 Hex Nut |
| 7. | KM 363 | 4' Fiberglass Sleeving |
| 8. | KM 342 | 820, Cord Strain Relief |
| 9. | KE 307 | #6-32 x 1-1/4" Machine Screw |
| 10. | KE 329 | #6-32 Hex Nut w/Washer |
| 11. | KE 098 | 2 Pole Terminal Strip |
| 12. | KC 309 | Standard Bus Bar Assembly |
| 13. | KC 319 | U-Terminal Assembly |
| 14. | KE 332 | #10-32 Hex Nut |
| 15. | KE 080 | Insulator |
| 16. | KE 321 | #10 Star Washer |
| 17. | KM 067 | Timer Motor (60 HZ) |
| 18. | KE 317 | #10-32 x 3/8" Machine Screw |
| 19. | KM 333 | 1020/28 Power Supply Cord |
| 20. | KM 301 | Infinite Switch w/Pal Nut (208) |
| 21. | KC 189 | 10' Connecting Wire, 18 Gauge |
| 22. | KC 187 | 6' Connecting Wire, 18 Gauge |
| 23. | KC 171 | 10,6,6 Wire Combo, 18 Gauge |
| 24. | KC 177 | 6' Connecting Wire, 12 Gauge |
| 25. | KC 178 | 18' Connecting Wire, 12 Gauge |
| 26. | KC 390 | Pilot Light Assembly |
| 27. | KC 139 | 8' Connecting Wire, 12 Gauge |
| 28. | KC 361 | 3 Position Switch |
| 29. | KC 173 | 8, 4 Wire Combo, 18 Gauge |
| 30. | KC 180 | 18, 8 Wire Combo, 18 Gauge |
| 31. | KC 131 | 14' Connecting Wire, 18 Gauge |
| 32. | KC 150 | 9' Ground Wire |
| 33. | KM 308 | Lid Safety Switch |
| 34. | KM 363 | Lid Switch Mounting Kit |



ELECTRICAL SCHEMATIC



200 VAC
50 HZ
1 PHASE