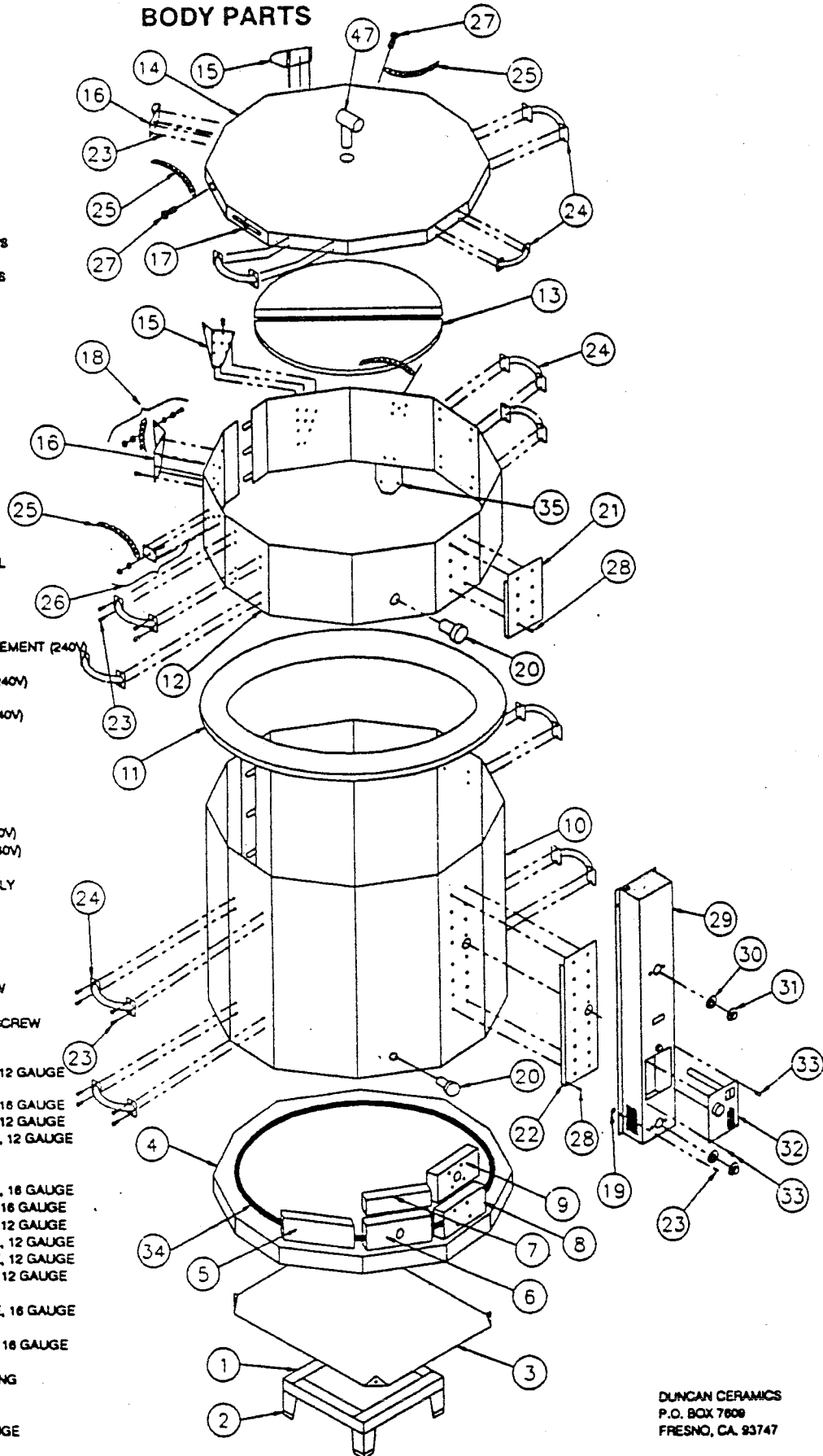


# DUNCAN EXPORT MODEL EA 1229-6T

## BODY PARTS

REF NO.	PART NO.	DESCRIPTION
1.	KC 089	EA 1229 STAND W/FEET
2.	KE 030	STAND FEET
3.	KP 304	1229 BASE PLATE
4.	KC 009	1229 FIBER BOTTOM
5.	KB 004	1229 GROOVED BRICK
6.	KB 024	1229 PEEPHOLE BRICK
7.	KB 044	1229 HALF BRICK
8.	KB 014	1229 TERMINAL BRICK
9.	KB 054	1229 KILN SITTER BRICK
10.	KC 087	EA 1229 LOWER CASE W/CLAMPS
11.	KP 314	1/4" THICK FIBER GASKET (1229)
12.	KC 086	EA 1229 UPPER CASE W/CLAMPS
13.	KA 114	1229 HALF SHELF
14.	KC 050	1229 FIBER LID W/BAND
15.	KC 220	1229 RIGHT HINGE ASSEMBLY
16.	KC 221	1229 LEFT HINGE ASSEMBLY
17.	KE 045	CASE CLAMP
18.	KC 222	HINGE PIVOT KIT
19.	KE 341	1/8" STANDOFF
20.	KA 030	PEEPHOLE PLUG
21.	KP 024	COLLAR HEAT SHIELD
22.	KP 029	1229 HEAT SHIELD
23.	KE 301	#8 X 1/2" SHEET METAL SCREW
24.	KE 009	HANDLE
25.	KE 105	1229 LID CHAIN
26.	KC 339	LID MOUNTING PLATE KIT
27.	KE 304	#8-32 X 3/4" MACHINE SCREW
28.	KE 302	#8 X 1" SHEET METAL SCREW
29.	KC 096	EA 1229 CONTROL PANEL SHELL
30.	KM 302	PAL NUT
31.	KM 319	SWITCH KNOB-EA KILNS
32.	KM 206	EA KILN-SITTER W/TIMER (240V)
33.	KE 303	#8 X 1/2" SHEET METAL SCREW
34.	KE 271	1229 TOP OR BOTTOM BANK ELEMENT (240V)
	OR	
35.	KE 272	1229 MIDDLE BANK ELEMENT (240V)
36.	KE 110	LID LATCH
37.	KM 300	INFINITE SWITCH W/PAL NUT (240V)
38.	KM 362	CAPACITOR ASSM. #2
39.	KM 324	POWER RELAY (240V)
40.	KE 101	TERMINAL BLOCK ASSEMBLY
41.	KM 361	3 POSITION SWITCH
42.	KM 360	CONTROL RELAY (240V)
43.	KM 343	CORD STRAIN RELIEF
44.	KM 326	4900 REPEAT CYCLE TIMER (240V)
45.	KM 325	4300 FIXED INTERVAL TIMER (240V)
46.	KA 031	LID VENT PLUG
47.	KC 309	STANDARD BUSS BAR ASSEMBLY
48.	KC 319	U-TERMINAL ASSEMBLY
49.	KE 314	#8-32 X 1/2" MACHINE SCREW
50.	KE 322	#8 STAR WASHER
51.	KE 333	#8-32 HEX NUT
52.	KE 080	INSULATOR
53.	KE 307	#8-32 X 1-1/4" MACHINE SCREW
54.	KE 329	#8-32 HEX NUT W/WASHER
55.	KE 315	#10-32 X 1/2" TAMPERPROOF SCREW
56.	KE 321	#10 STAR WASHER
57.	KE 332	#10-32 HEX NUT
58.	KC 139	9' (23CM) CONNECTING WIRE, 12 GAUGE
59.	KC 111	EA PILOT LIGHT
60.	KC 187	6' (15CM) CONNECTING WIRE, 18 GAUGE
61.	KC 177	6' (15CM) CONNECTING WIRE, 12 GAUGE
62.	KC 192	10' (25CM) CONNECTING WIRE, 12 GAUGE
63.	KC 184	22,4 WIRE COMBO, 18 GAUGE
64.	KC 106	12,8 WIRE COMBO, 18 GAUGE
65.	KC 186	22' (56CM) CONNECTING WIRE, 18 GAUGE
66.	KC 376	9' (23CM) CONNECTING WIRE, 16 GAUGE
67.	KC 182	6' (15CM) CONNECTING WIRE, 12 GAUGE
68.	KC 138	14' (35CM) CONNECTING WIRE, 12 GAUGE
69.	KC 179	16' (40CM) CONNECTING WIRE, 12 GAUGE
70.	KC 175	6' (15CM) CONNECTING WIRE, 12 GAUGE
71.	KC 106	14,9 WIRE COMBO, 18 GAUGE
72.	KC 401	12' (40CM) CONNECTING WIRE, 18 GAUGE
73.	KC 101	4,4 WIRE COMBO, 18 GAUGE
74.	KC 188	6' (15CM) CONNECTING WIRE, 18 GAUGE
75.	KM 320	1029-8 POWER SUPPLY CORD
76.	KM 362	5 1/2" LG. FIBERGLASS SLEEVING
77.	KC 150	9' (23CM) GROUNDING WIRE
78.	KC 153	25' (63CM) GROUNDING WIRE
79.	KC 364	9' CONNECTING WIRE, 12 GAUGE



DUNCAN CERAMICS  
P.O. BOX 7609  
FRESNO, CA 93747

ORDER PARTS FROM YOUR AUTHORIZED DUNCAN CERAMICS DISTRIBUTOR