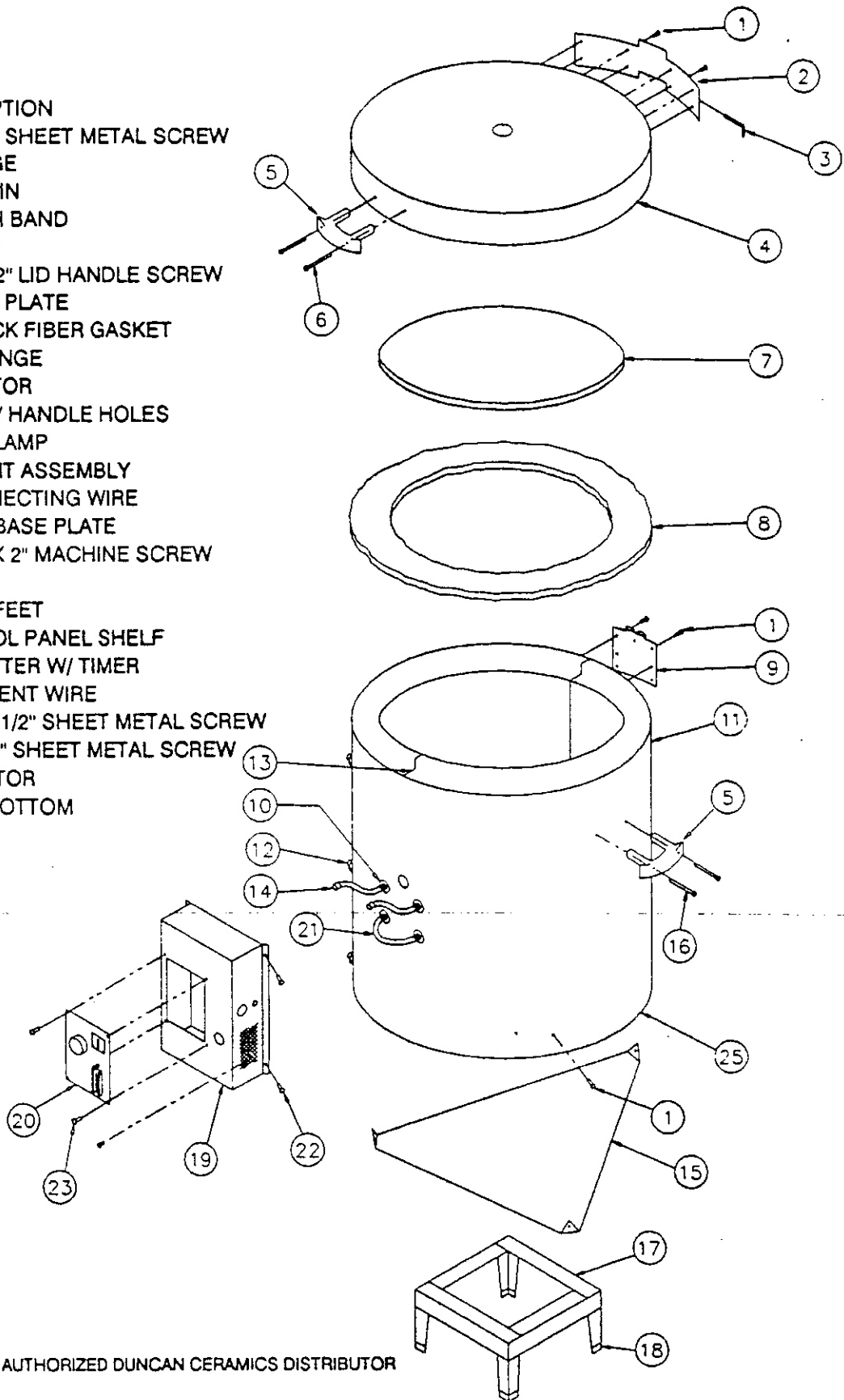


DUNCAN MODEL EA 126G

BODY PARTS

| REF NO. | PART NO. | DESCRIPTION |
|---------|----------|--------------------------------|
| 1. | KE 301 | #8 x 1/2" SHEET METAL SCREW |
| 2. | KC 216 | LID HINGE |
| 3. | KC 217 | HINGE PIN |
| 4. | KC 039 | LID WITH BAND |
| 5. | KE 013 | HANDLE |
| 6. | KE 316 | #8-32 x 2" LID HANDLE SCREW |
| 7. | KA 121 | HEARTH PLATE |
| 8. | KP 313 | 1/4" THICK FIBER GASKET |
| 9. | KC 219 | CASE HINGE |
| 10. | KC 060 | INSULATOR |
| 11. | KC 095 | CASE W/ HANDLE HOLES |
| 12. | KE 045 | CASE CLAMP |
| 13. | KE 267 | ELEMENT ASSEMBLY |
| 14. | KC 160 | 9" CONNECTING WIRE |
| 15. | KP 316 | ARTIST BASE PLATE |
| 16. | KE 350 | #10-32 X 2" MACHINE SCREW |
| 17. | KC 065 | STAND |
| 18. | KE 030 | STAND FEET |
| 19. | KC 037 | CONTROL PANEL SHELF |
| 20. | KM 209 | KILN-SITTER W/ TIMER |
| 21. | KC 166 | 6" ELEMENT WIRE |
| 22. | KE 318 | #8-32 X 1/2" SHEET METAL SCREW |
| 23. | KE 303 | #6 X 1/2" SHEET METAL SCREW |
| 24. | KE 060 | INSULATOR |
| 25. | KC 008 | FIBER BOTTOM |



DUNCAN CERAMICS
 P.O. BOX 7609
 FRESNO, CA. 93747

ORDER PARTS FROM YOUR AUTHORIZED DUNCAN CERAMICS DISTRIBUTOR