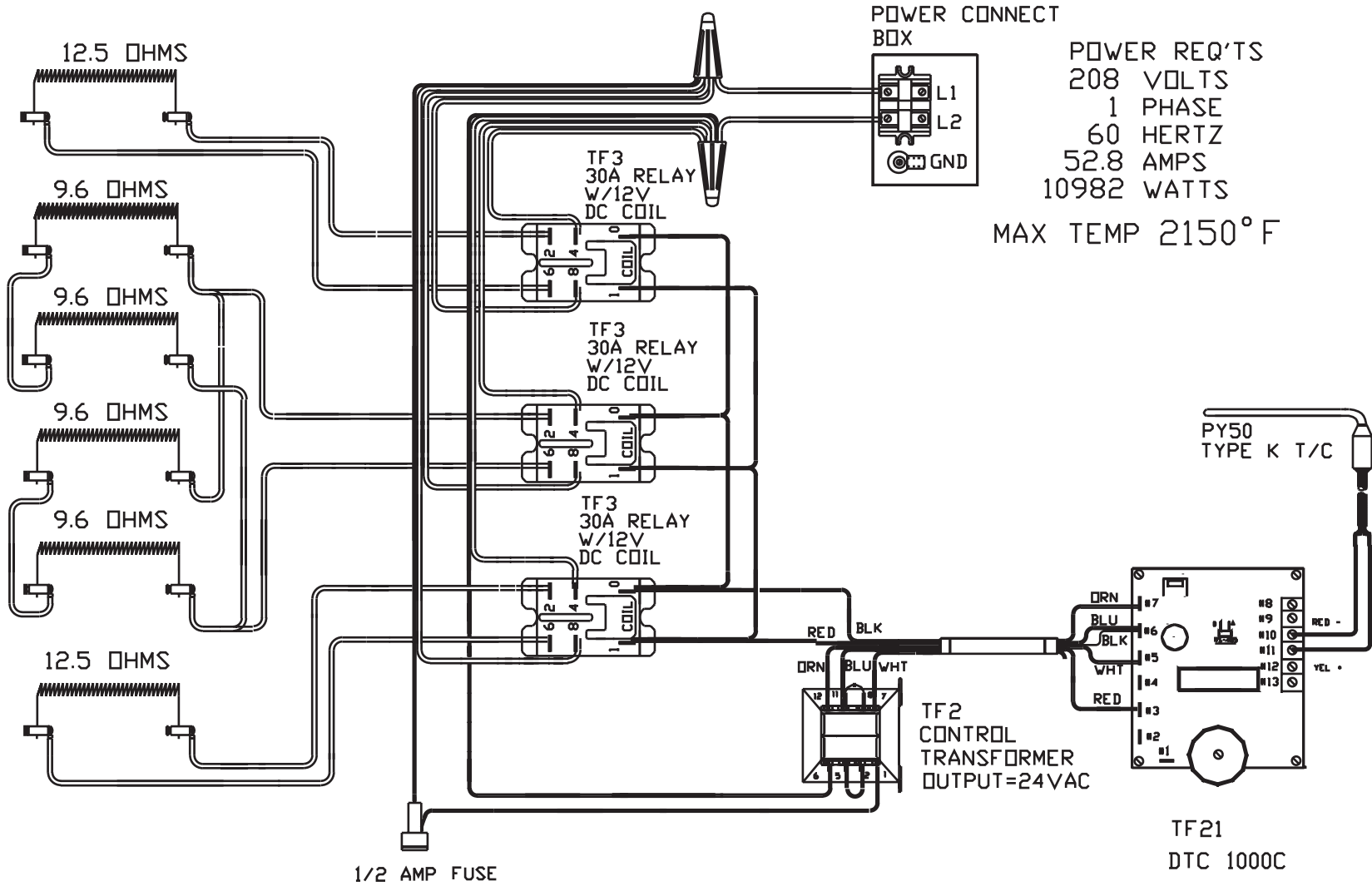


TO RE-ORDER ELEMENTS, SPECIFY		
DESCRIPTION	QTY	LOC
EL2841111TB	2	TOP&BOT
EL2841111M	4	MIDDLE



COMMENTS

PARAGON INDUSTRIES  
2011 SOUTH TOWN EAST BLVD  
MESQUITE, TEXAS 75149

PRODUCT DESCRIPTION  
28° DIA, 12 SIDES, 29° DP  
208V, 1PH, 60HZ, 52.8A, 10982W

PART NO. 2841111A00

REV -

WIRING DIAGRAM