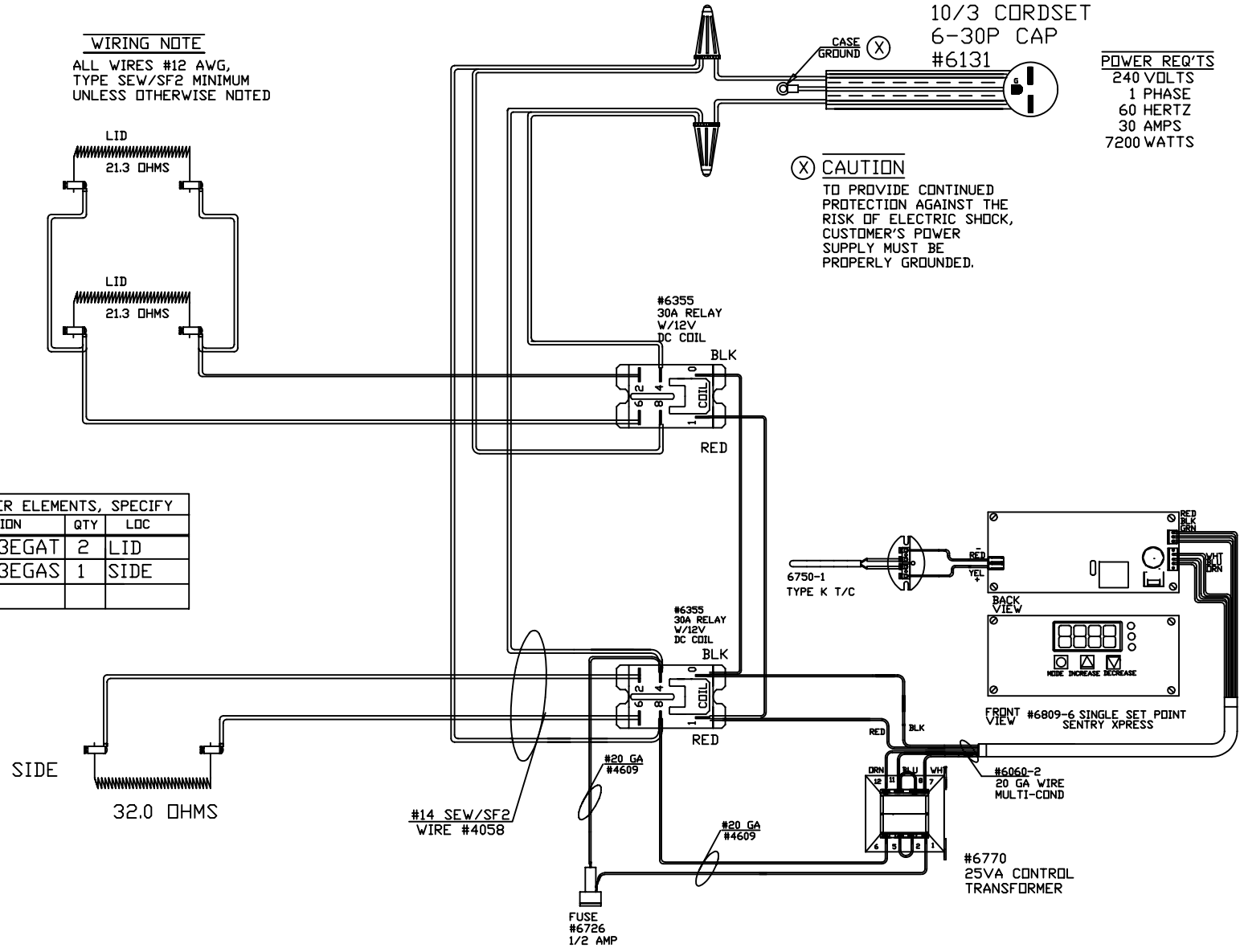


WIRING NOTE
 ALL WIRES #12 AWG,
 TYPE SEW/SF2 MINIMUM
 UNLESS OTHERWISE NOTED

POWER REQ'TS
 240 VOLTS
 1 PHASE
 60 HERTZ
 30 AMPS
 7200 WATTS

CAUTION
 TO PROVIDE CONTINUED
 PROTECTION AGAINST THE
 RISK OF ELECTRIC SHOCK,
 CUSTOMER'S POWER
 SUPPLY MUST BE
 PROPERLY GROUNDDED.



| TO RE-ORDER ELEMENTS, SPECIFY | | |
|-------------------------------|-----|------|
| DESCRIPTION | QTY | LOC |
| EL49611J3EGAT | 2 | LID |
| EL49611J3EGAS | 1 | SIDE |

CFG 1
 1700°F
 TUV CERTIFIED

| REV | DATE | BY | DESCRIPTION |
|-----|----------|-----|-----------------|
| - | 11/11/96 | DTB | |
| A | 12/28/06 | MAF | ADDED 2ND RELAY |

SWITCH BOX ASSY- 42018-19
 PARAGON INDUSTRIES
 2011 SOUTH TOWN EAST BLVD
 MESQUITE, TEXAS 75149

WIRING DIAGRAM
 240V, 1 PHASE, 60HZ 7200 WATTS

| | | | |
|---------|------------|------|---|
| PART NO | 49611J3EGA | REV | A |
| | | FILE | |