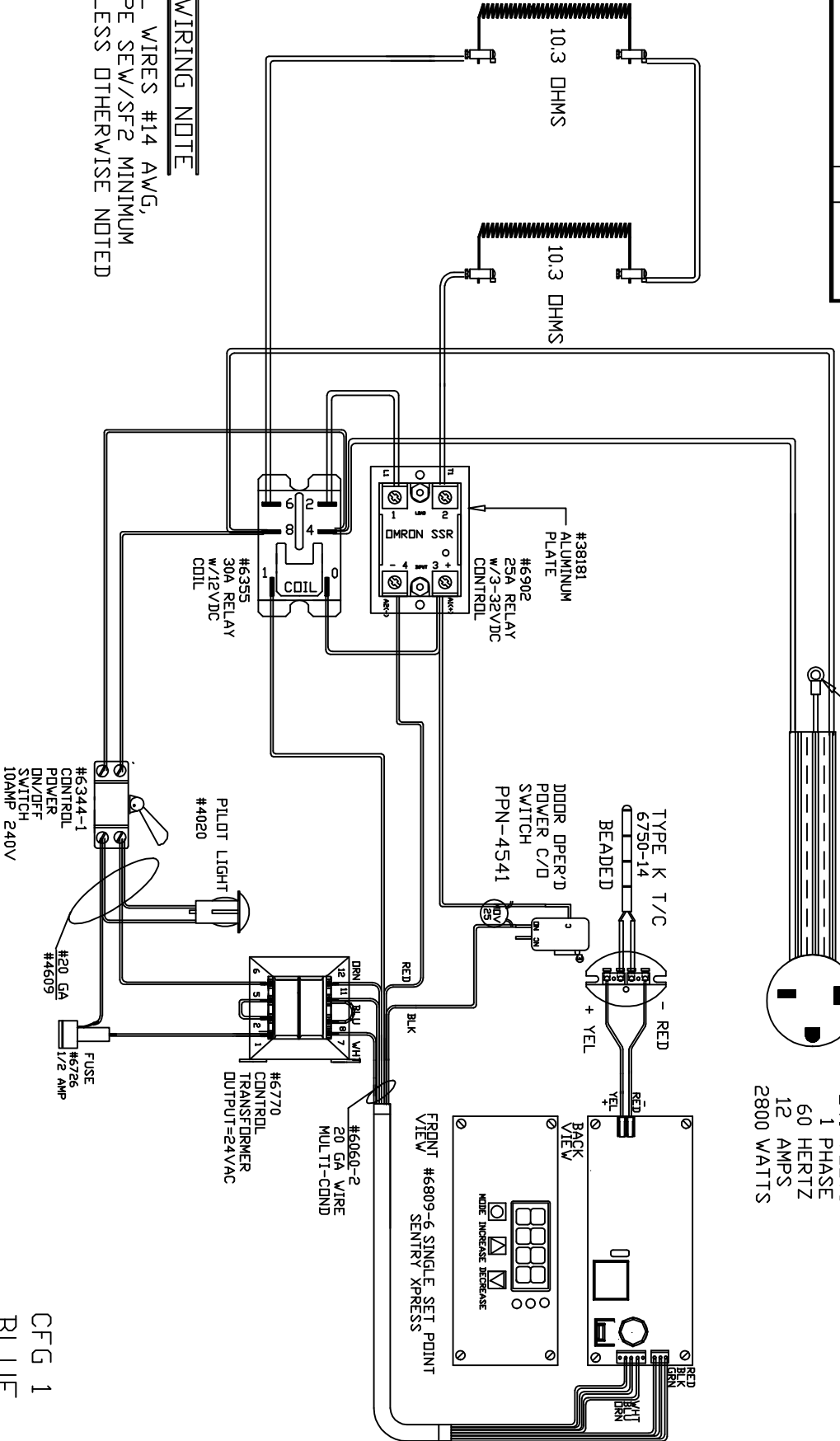


| TO RE-ORDER ELEMENTS, SPECIFY |     |      |
|-------------------------------|-----|------|
| DESCRIPTION                   | QTY | LDC  |
| EL010.31153-48                | 2   | SIDE |
|                               |     |      |
|                               |     |      |

PART NO SE612JMD00

HIGH TEMP CS/H/SJ/H/SJD  
 #14-3 CORDSET  
 6-20P CAP  
 #60049

POWER REQ'TS  
 240 VOLTS  
 1 PHASE  
 60 HERTZ  
 12 AMPS  
 2800 WATTS



WIRING NOTE

ALL WIRES #14 AWG,  
 TYPE SEW/SF2 MINIMUM  
 UNLESS OTHERWISE NOTED

NOTE: PLEASE REFER  
 TO THIS NUMBER WHEN  
 ORDERING PARTS FOR  
 THIS KILN

CFG 1  
 BLUE  
 2350°F

| REV | DATE    | BY  | DESCRIPTION |
|-----|---------|-----|-------------|
| -   | 6/27/18 | MHK |             |
|     |         |     |             |
|     |         |     |             |

SWITCH BOX ASSY- 42271-48  
 PARAGON INDUSTRIES  
 2011 SOUTH TOWN EAST BLVD  
 MESQUITE, TEXAS 75149

WIRING DIAGRAM  
 240V, 1 PHASE, 12A, 60HZ, 2800 WATTS

| PART NO    | REV  |
|------------|------|
| SE612JMD00 | -    |
| KM24T      | FILE |