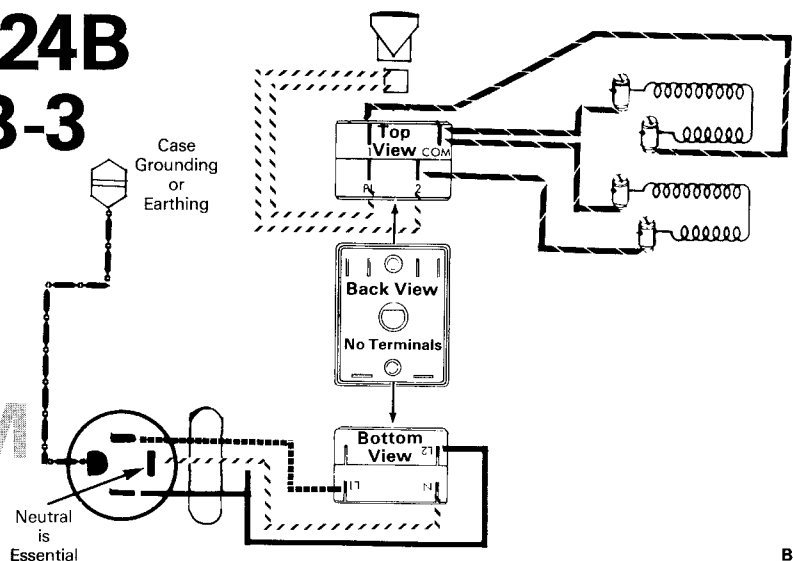


# PARAGON KILN MODELS A-24B AND A-24B-3

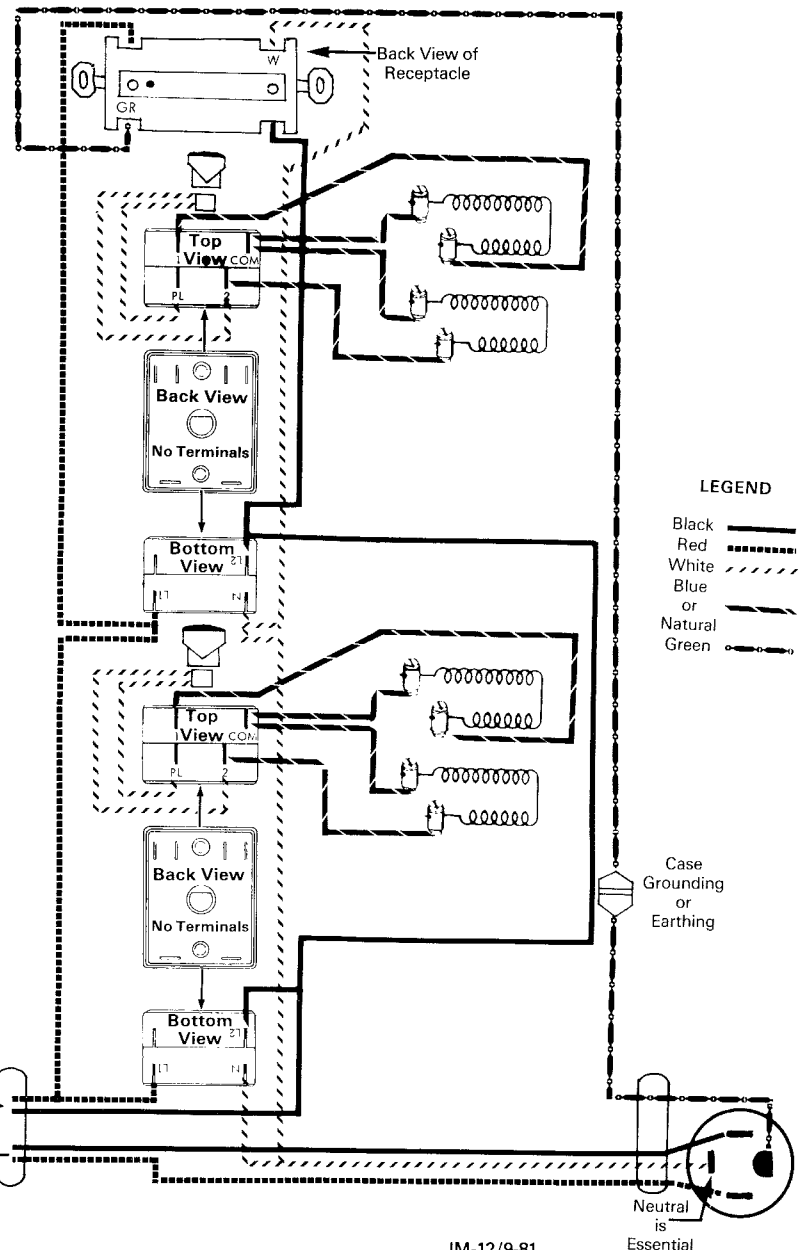
MODELS A-24B and A-24B-3  
(4-way Rotary Switches with Push-on Terminals)

TOP SECTION

## WIRING DIAGRAM AND PARTS IDENTIFICATION



BOTTOM SECTION



- LEGEND
- Black ———
  - Red - - - - -
  - White / / / / /
  - Blue / / / / /
  - or / / / / /
  - Natural / / / / /
  - Green - - - - -

The models available for the CSA label have the kiln wiring terminated in a special box on the kiln for stationary installation.

**MERCHANDISE TO BE SHIPPED TO ONE ADDRESS ON ONE ORDER MUST TOTAL \$5.00 BEFORE THE POSTAGE AND HANDLING CHARGES ARE ADDED.**

Model Numbers ending in "3" have special 3" walls. The letter "B" following the Model Number means the kiln has a stainless steel jacket.

**WHEN ORDERING PARTS, ALWAYS SPECIFY MODEL NUMBER, REFERENCE NUMBER, PART NUMBER, AND DESCRIPTION**

**Paragon Industries, Inc.**  
2011 South Town East Blvd.  
Mesquite, Texas 75149-1122  
214/288-7557