

PARAGON KILN MODEL A-23B-3 WIRING DIAGRAM AND PARTS IDENTIFICATION

REF. NO.	PART NO.	DESCRIPTION
METAL JACKET PARTS		
1.	Specify Model	Hinge, complete, gray
2.	Specify Model	Form-Fitted Jacket
3.	Specify Model	Full-Formed Steel Base
4.	Specify Model	Heat Shield
5.	Specify Model	Ventilated Switch Box, gray (box only)
INSULATING FIREBRICK		
6.	BR-11-23	3" Special Brick Lid with Band (less hardware)
7.	BR-2-23	3" Special x 4" Straight Grooved Wall Brick
8.	BR-3-23	3" Special x 4" Terminal Wall Brick
9.	BR-6-23	3" Special x 2" Plain Wall Brick
10.	BR-10-23	3" Special Brick Bottom, only
ELECTRICAL PARTS		
11.	EL-A-23	Cone 10 Heating Element for A-23B-3
12.	WR-4	#14 Switch-to-Element Lead Wires, push-on terminal one end
13.	WR-14	#14 Double Switch-to-Element Lead Wires, push-on terminal one end
14.	WR-7	Switch-to-Switch Connecting Wires, push-on terminals both ends
15.	SW-4	Switch, 26 amp. A-21 4-way Rotary for push-on terminals
16.	KN-3	Knob for 4-way Rotary Switch A-21, silver center
17.	MS-8	Pilot Light with Lead Wires, push-on terminals
18.	CR-2	6-4, 50 amp., 240 v., 6 ft. cord with 4-prong plug
19.	MS-6	Element Connectors
20.	MS-1	Porcelain Insulators (1 1/8" long)
21.	MS-5	Large Wire Connector
22.	WR-11	Sitter-to-Switch Box Jumper Wires (not shown)
OTHER REPLACEMENT PARTS		
23.	HW-12	Lock-in Lid Support for Large A-series (10 sides or more)
24.	HW-6	Hand Lifts for A-series
25.	ST-3	Kiln Stand for A-23B-3
26.	ST-1	Plastic Feet, only
27.	HW-8	#8 Plated Metal Screws
28.	HW-7	Fall Away Prop-R-Vent Kit
29.	HW-5	Lid Handle, for large A-series
30.	PL-2	Peephole Plug, Cone Shaped for A-series
31.	Specify Model	Conduit for Kiln Sitter Wires (not shown)
32.	Specify Model	Cord Clamp

**WHEN ORDERING PARTS
ALWAYS SPECIFY
MODEL NUMBER,
REFERENCE NUMBER,
PART NUMBER,
AND DESCRIPTION**

For prices of parts, see your current Paragon Kiln Catalog Price List.

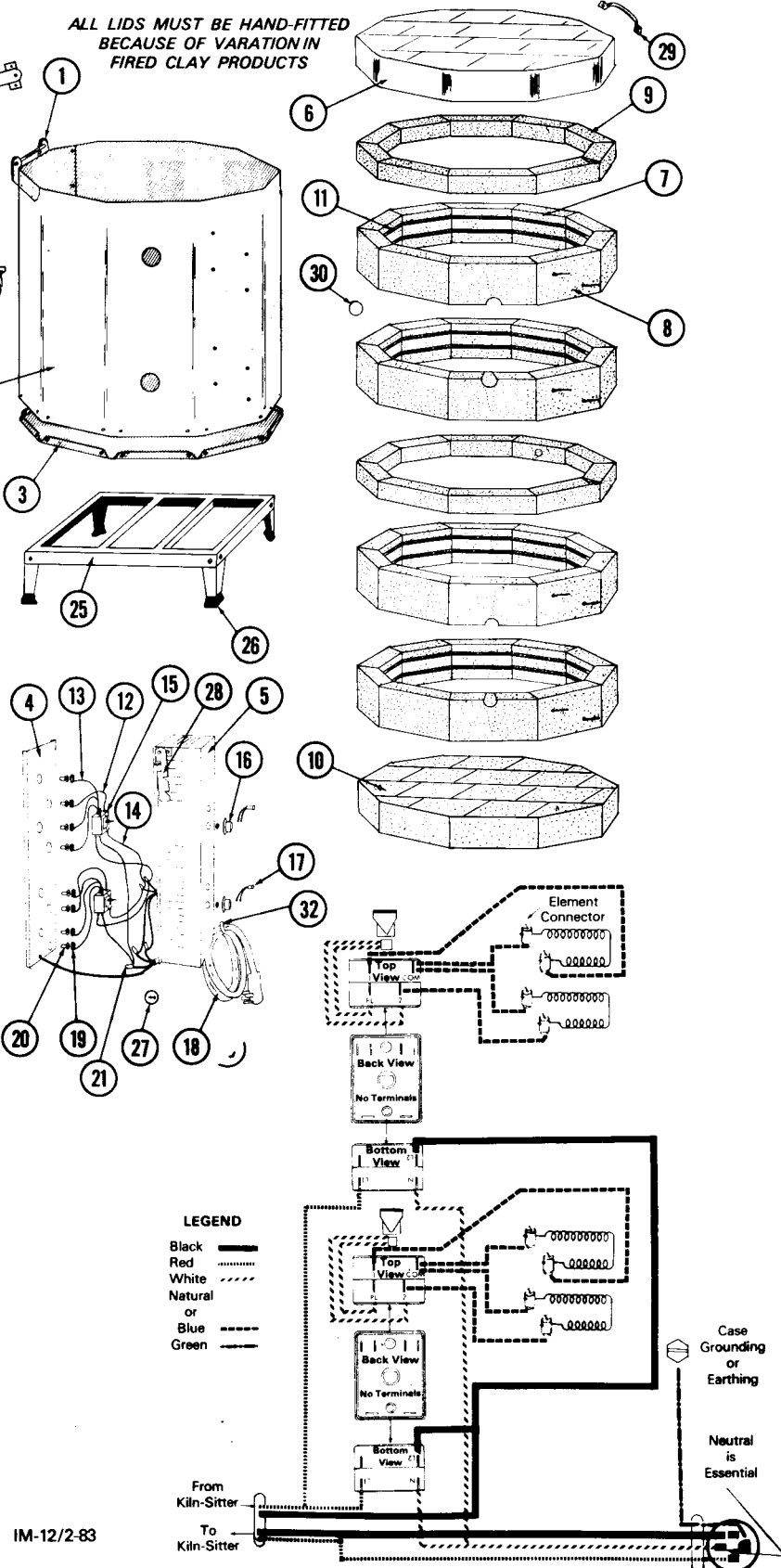
All prices are F.O.B. factory, Dallas County, Texas and are subject to change without notice.

MERCHANDISE TO BE SHIPPED TO ONE ADDRESS ON ONE ORDER MUST TOTAL \$5.00 BEFORE THE POSTAGE & HANDLING CHARGES ARE ADDED.

Paragon Industries, Inc.

2011 South Town East Blvd.
Mesquite, Texas 75149-1122
214/288-7557

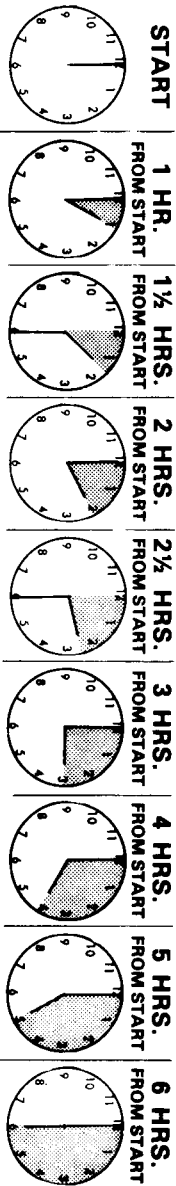
© Copyright Paragon Industries, Inc. 1980





**RECOMMENDED
FIRING SCHEDULE POSTER
FOR PARAGON KILN MODEL A-23B-3**

WARNING
Our warranty does not cover any damage caused by overfiring, regardless of the cause. *Never fire by time alone... always use pyrometric cones! If you cannot see the cones, turn off the kiln at once!*



AVERAGE FIRING TIME REQUIRED
Voltage variation can cause firing time to vary from 1/2 to more than twice the time shown.

DO NOT OPEN KILN LID FOR 8 HOURS AFTER FIRING HAS BEEN COMPLETED.

CHINA PAINTS, GOLD and OTHER OVERGLAZES	TOP SWITCH	LOW	LOW	MED	MED	HIGH	HIGH	HIGH	HIGH	HIGH	HIGH	HIGH	LARGE CONE 019 ON THE SHELF BEHIND EACH PEEPHOLE BENDS IN 2 1/2 TO 3 1/2 HOURS AVERAGE
	BOTTOM SWITCH	LOW	MED	MED	HIGH	IN*	IN						
LOW-FIRE GREENWARE and GLAZE	TOP SWITCH	LOW	LOW	MED	MED	HIGH	HIGH	HIGH	HIGH	HIGH	HIGH	HIGH	LARGE CONE 05 ON THE SHELF BEHIND EACH PEEPHOLE BENDS IN 4 1/2 TO 6 1/2 HOURS AVERAGE
	BOTTOM SWITCH	LOW	MED	MED	HIGH	IN*	IN	IN	IN	IN	IN		
PORCELAIN OR STONEWARE GREENWARE and GLAZE	TOP SWITCH	LOW	LOW	MED	MED	CLOSED*	CLOSED	CLOSED	CLOSED	CLOSED	CLOSED	CLOSED	LARGE CONE 5 ON THE SHELF BEHIND EACH PEEPHOLE BENDS IN 5 1/2 TO 6 1/2 HOURS AVERAGE
	BOTTOM SWITCH	LOW	MED	MED	MED	CLOSED*	CLOSED	CLOSED	CLOSED	CLOSED	CLOSED	CLOSED	

* Do not close lid until all odor of china paint oils or burning lace has gone. Leave peephole plugs out until no vapor can be detected by holding a hand mirror in front of the top peephole.

BEFORE EVERY FIRING

- Place the proper pyrometric cone for the firing 3" to 4" behind the peephole, and make sure they are clearly visible through the peephole.
- Be sure low-fire glazed ware is properly silted or dry-footed. Do not use stilts to support porcelain greenware or glaze. Dry-footing is necessary for both firings.
- If your kiln has a kiln-sitter, check it mechanically. Apply a thin coat of all-purpose, high fire, kiln wash to the upper edges of the cone supports and the lower side of the actuating rod. Then place the appropriate small pyrometric cone 1/2" away from the end of the refractory tube.

*Only you have control of your kiln-sitter!
There is no warranty against overfiring, regardless of the cause!*

HOW TO USE YOUR FIRING SCHEDULE

- Choose the type firing you wish to do in the first column at left.
- Set your firing clock at exactly 12:00 o'clock.
- Turn switch to position shown under START opposite the type firing chosen.
- At the end of one-half hour, change switch to position shown under 1/2 HOUR.
- Follow the schedule through all time steps, making switch changes indicated in the columns corresponding to the time shown on your firing clock. Check the pyrometric cones behind the peephole every 15 minutes after the switch is turned to HIGH. Firing times are not affected any measurable amount by altitude (the number of feet above or below sea level) of kiln's location. But firing time can be doubled or cut in half by voltage variation at all altitudes.