

PARAGON KILN MODELS A-66B, A-66, AA-6B and AA-6 WIRING DIAGRAMS AND PARTS IDENTIFICATIONS

**WHEN ORDERING PARTS,
ALWAYS SPECIFY
MODEL NUMBER,
REFERENCE NUMBER,
PART NUMBER,
AND DESCRIPTION**

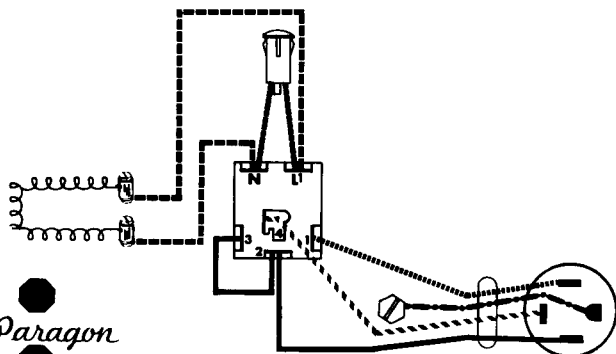
For prices of parts, see your current
Paragon Kiln Catalog Price List.
All prices are F.O.B. factory, Dallas County, Texas
and are subject to change without notice.

The models available for the CSA label
have the kiln wiring terminated in a
special box on the kiln for stationary installation.

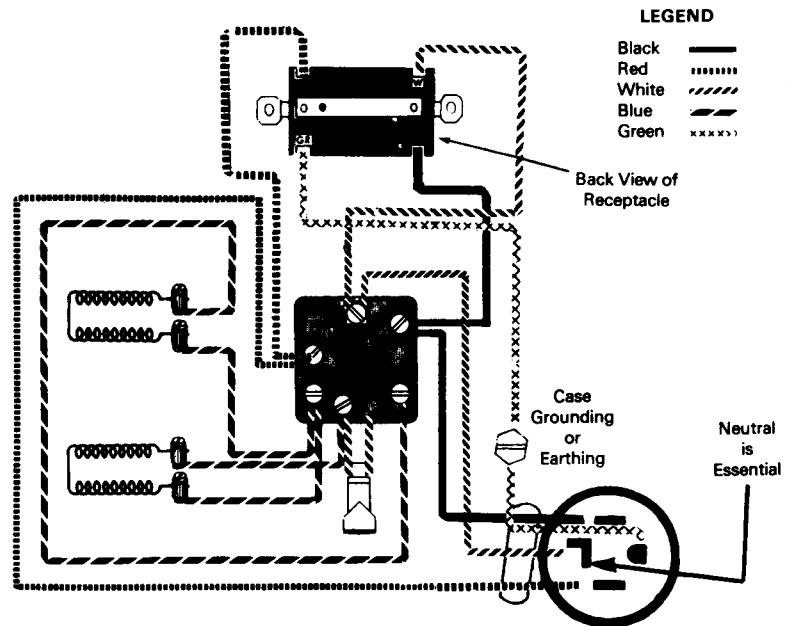
**MERCHANDISE TO BE SHIPPED TO ONE ADDRESS
ON ONE ORDER MUST TOTAL \$5.00 BEFORE
THE POSTAGE AND HANDLING CHARGES ARE ADDED**

The letter "B" following the Model Number
means the kiln has a stainless steel jacket.

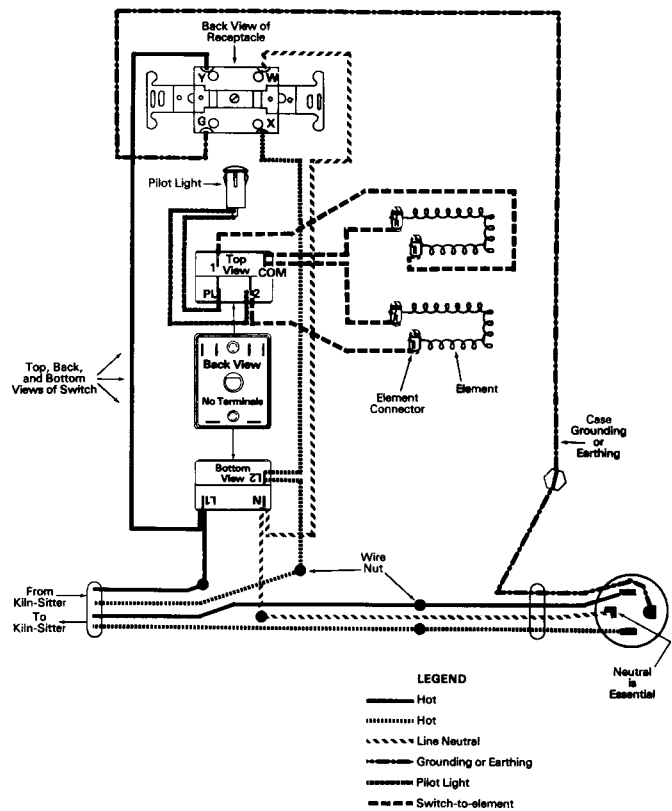
Extension Collars AA-6B and AA-6



MODELS A-66B and A-66 (4-way Rotary Switch With Screw-on Terminals)



MODELS A-66B and A-66 (4-way Rotary Switch With Push Terminals)



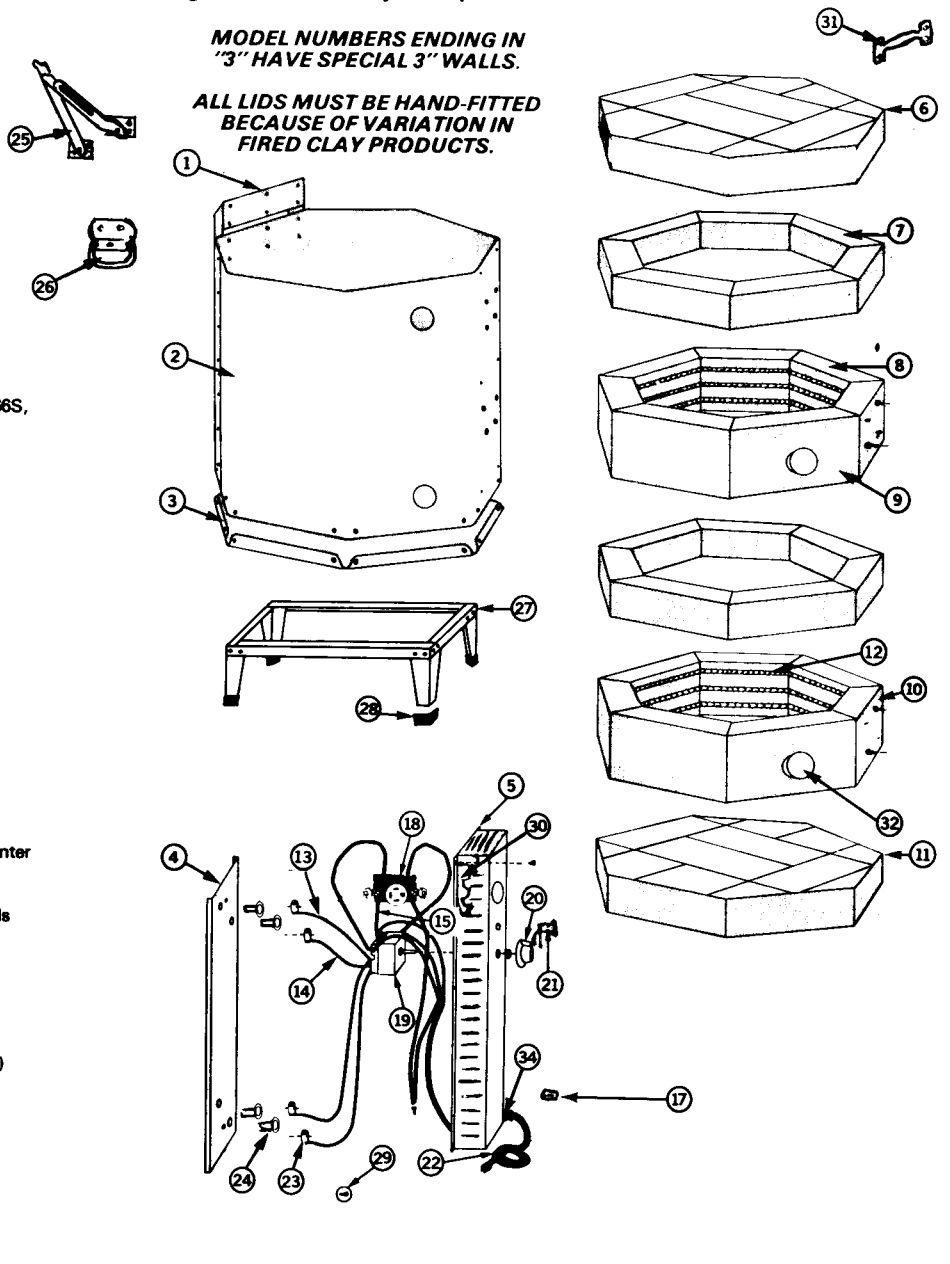
PARAGON MODELS A-66B, A-66B-3

- | REF. NO. | PART NO. | DESCRIPTION |
|--------------------------------|---------------|--|
| METAL JACKET PARTS | | |
| 1. | Specify Model | Hinge, complete, gray |
| 2. | Specify Model | Form-Fitted Jacket, stainless |
| 3. | Specify Model | Full-Formed Steel Base |
| 4. | Specify Model | Heat Shield |
| 5. | Specify Model | Ventilated Switch Box, metal only, gray |
| INSULATING FIREBRICK | | |
| 6. | Specify Model | Brick Lid with Band, stainless, less hardware |
| 7. | Specify Model | 2" Plain Wall Brick |
| 8. | Specify Model | 4" Straight Grooved Wall Brick |
| 9. | Specify Model | 4" Peephole Wall Brick |
| 10. | Specify Model | 4" Terminal Wall Brick |
| 11. | Specify Model | Brick Bottom, only |
| ELECTRICAL PARTS | | |
| 12. | EL.A-66 | Heating Element for A-66B, A-66, A-66S, B-66S, A-66S-B |
| | or | |
| 13. | EL.A-66-3 | Heating Element for A-66B-3 |
| | WR-2 | #14 Switch-to-Element Lead Wires, screw-on eyelet both ends |
| | or | |
| | WR-4 | #14 Switch-to-Element Lead Wires, push-on terminal one end |
| 14. | WR-14 | #14 Double Switch-to-Element Lead Wires, push-on terminal one end |
| 15. | WR-12 | Receptacle-to-Switch Connecting Wires, screw-on eyelet both ends |
| | or | |
| | WR-13 | Receptacle-to-Switch Connecting Wires, push-on terminal one end |
| 16. | WR-11 | Sitter-to-Switch Box Jumper Wires, for kilns equipped with kiln sitter (not shown) |
| 17. | MS-4 | Small Wire Connector |
| 18. | RC-1 | Receptacle, 4-wire, 20 amp., 125/250 v. for kiln's switch box |
| 19. | SW-4 | Switch, 26 amp. A-21 4-way Rotary for push-on terminals |
| 20. | KN-3 | Knob for 4-way Rotary Switch A-21, silver center |
| 21. | MS-7 | Pilot Light with Lead Wires, eyelet terminals |
| | or | |
| | MS-8 | Pilot Light with Lead Wires, push-on terminals |
| 22. | CR-10 | 10-4, 30 amp., 240 v., 7 ft. cord with 4-prong plug |
| 23. | MS-6 | Element Connectors |
| 24. | MS-1 | Porcelain Insulators |
| OTHER REPLACEMENT PARTS | | |
| 25. | HW-1 | Lock-in Lid Support, for A-series (7 & 8 sides) |
| 26. | HW-6 | Hand Lifts for A-series |
| 27. | ST-2 | Kiln Stand |
| 28. | ST-1 | Plastic Feet, only |
| 29. | HW-8 | #8 Plated Metal Screws |
| 30. | HW-7 | Fall Away Prop-R-Vent Kit |
| 31. | HW-4 | Lid Handle, for small A-series (8 sided or less) |
| 32. | PL-2 | Peephole Plug, Cone Shaped for A-series |
| 33. | Specify Model | Conduit for Kiln Sitter Wires (not shown) |
| 34. | Specify Model | Cord Clamp |

Specify complete model number when ordering insulating firebrick, metal jacket parts, and elements.

MODEL NUMBERS ENDING IN "3" HAVE SPECIAL 3" WALLS.

ALL LIDS MUST BE HAND-FITTED BECAUSE OF VARIATION IN FIRED CLAY PRODUCTS.



PARAGON COLLARS AA-6B, AA-6B-3

- | | | |
|-----|---------------|--|
| 1. | Specify Model | Hinge, lower half, gray |
| 2. | Specify Model | Form-Fitted Jacket, stainless |
| 3. | Specify Model | 4" Straight Grooved Wall Brick |
| 4. | Specify Model | 2" Straight Grooved Wall Brick |
| 5. | EL.A-AA6 | Heating Element for AA-6B, AA-6 |
| | or | |
| | EL.A-AA6-3 | Heating Element for AA-6B-3 |
| 6. | Specify Model | 2" Terminal Wall Brick |
| 7. | Specify Model | 4" Terminal Wall Brick |
| 8. | Specify Model | 4" Peephole Wall Brick |
| 9. | PL-2 | Peephole Plug, Cone Shaped for A-series |
| 10. | Specify Model | Heat Shield |
| 11. | MS-1 | Porcelain Insulators |
| 12. | MS-6 | Element Connectors |
| 13. | WR-2 | #14 Switch-to-Element Lead Wires, screw-on eyelet both ends |
| 14. | WR-6 | Switch-to-Switch Connecting Wires, screw-on eyelet both ends |
| 15. | SW-3 | Switch, 20 amp. 3-way Rotary |
| 16. | Specify Model | Ventilated Switch Box, metal only, gray |
| 17. | KN-5 | Knob for 3-way Rotary Switch, silver center |
| 18. | MS-7 | Pilot Light with Lead Wires, eyelet terminals |
| 19. | CR-7 | 14-4, 240 v., 3 ft. cord, with 4-prong plug for extension collar |
| 20. | HW-8 | #8 Metal Screws |

