

PARAGON KILN MODELS A-99B A-99 and A-100B WIRING DIAGRAM AND PARTS IDENTIFICATION

WHEN ORDERING PARTS,
ALWAYS SPECIFY
MODEL NUMBER,
REFERENCE NUMBER,
PART NUMBER,
AND DESCRIPTION

For prices of parts, see your current
Paragon Kiln Catalog Price List.
All prices are F.O.B. factory, Dallas County, Texas
and are subject to change without notice.

The models available for the CSA label
have the kiln wiring terminated in a
special box on the kiln for stationary installation.

MERCHANDISE TO BE SHIPPED TO ONE ADDRESS
ON ONE ORDER *MUST TOTAL \$5.00* BEFORE
THE POSTAGE AND HANDLING CHARGES ARE ADDED.

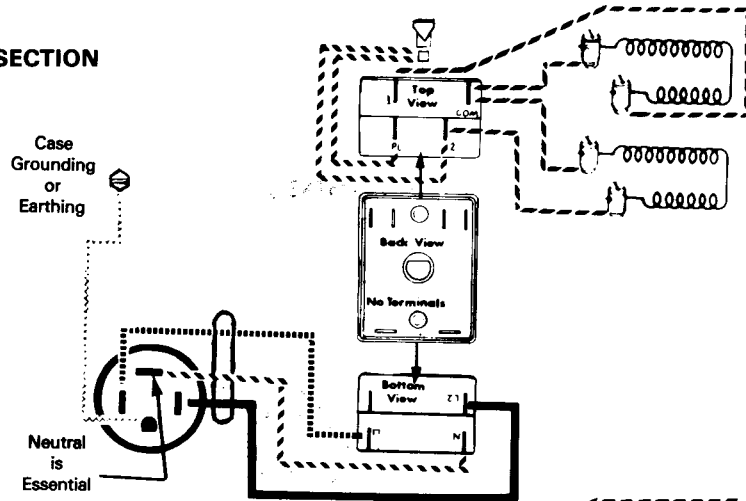
The letter "B" following the Model Number
means the kiln has a stainless steel jacket.

Paragon
INDUSTRIES
BOX 808
MESQUITE, TEXAS 75149 - 0170

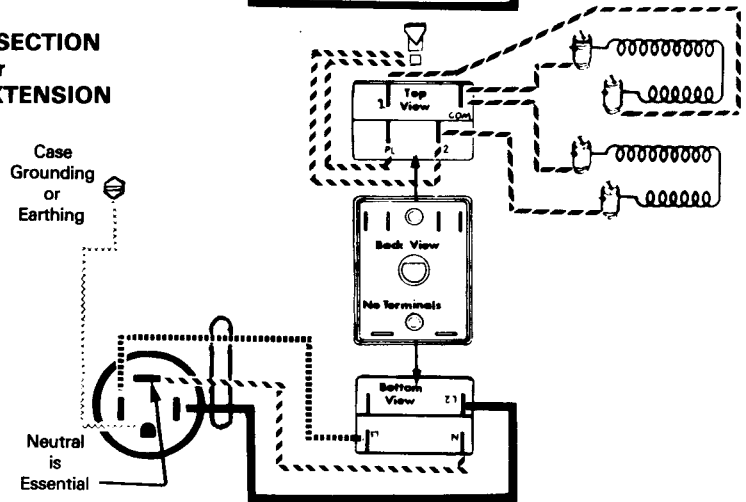
© Copyright Paragon Industries, Inc. 1977

MODELS A-99B, A-99 and A-100B
(4-way Rotary Switches with Push-on Terminals)

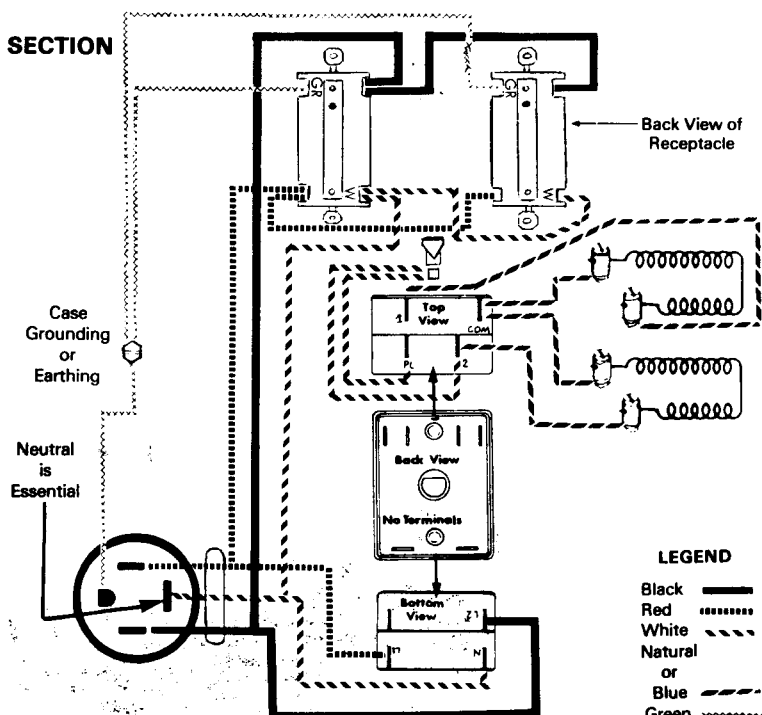
TOP SECTION



MIDDLE SECTION
or
AA-10B EXTENSION



BOTTOM SECTION



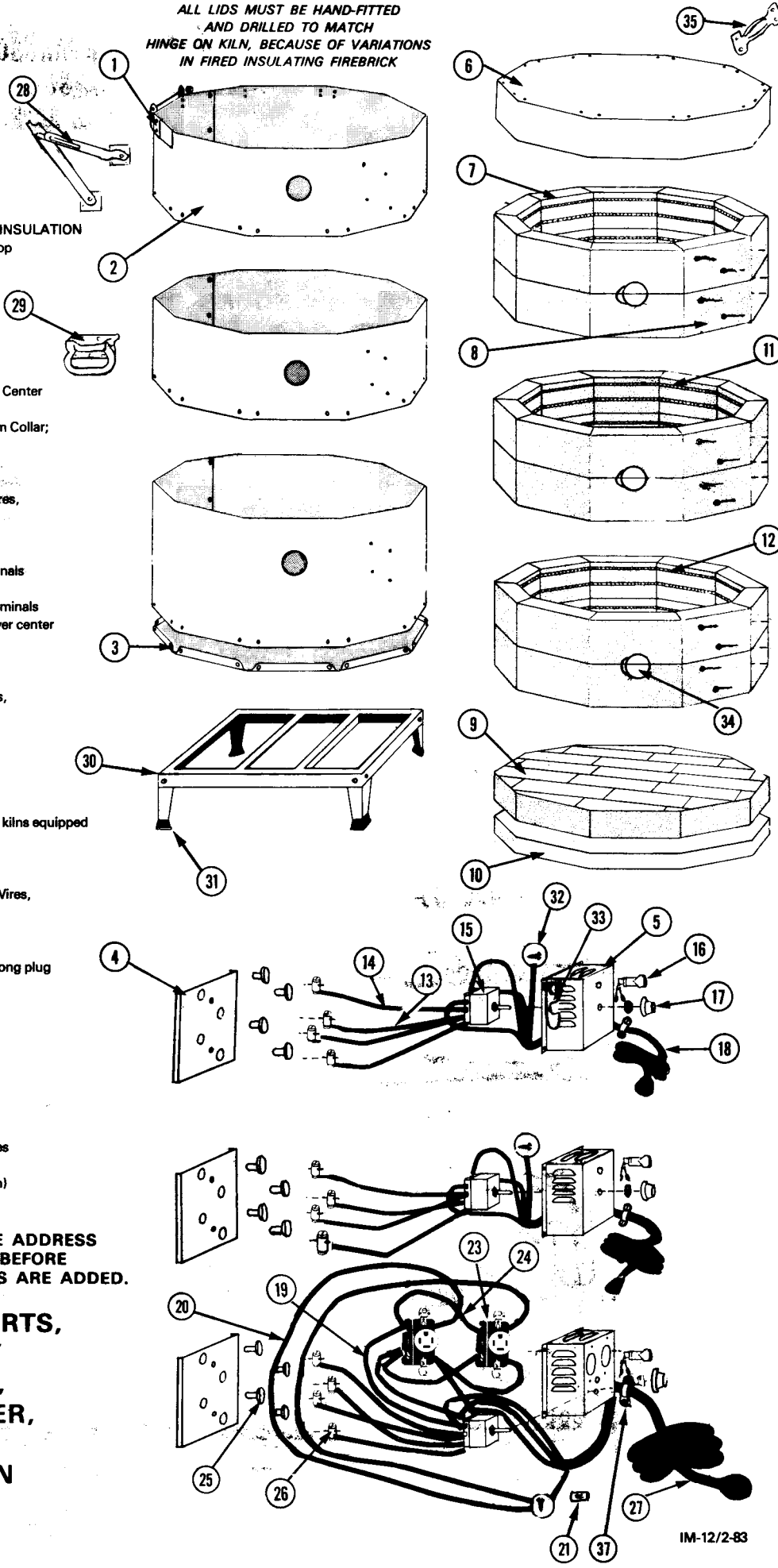
LEGEND

- Black ———
- Red ·····
- White - - - - -
- Natural or ———
- Blue - - - - -
- Green ~~~~~

MODEL A-99B, A-99 and A-100B

REF. NO.	PART NO.	DESCRIPTION
1.	Specify Model	METAL JACKET PARTS
2.	Specify Model	Hinge, complete, gray or brown
3.	Specify Model	Form-Fitted Jacket, stainless
4.	Specify Model	Full Formed Steel Base
5.	Specify Model	Heat Shield
5.	Specify Model	Ventilated Switch Box, gray or brown, (box only), specify section
6.	BR-11-99	INSULATING FIREBRICK & BLOCK INSULATION
7.	BR-2-99	Brick Lid with Block Insulation, Metal Top and Band, stainless (less hardware)
8.	BR-3-99	4" Straight Grooved Wall Brick
9.	BR-10-99	4" Terminal Wall Brick
10.	Specify Model	Brick Bottom, only
10.	Specify Model	Block Insulation
11.	EL.A-99T	ELECTRICAL PARTS
12.	EL.A-99B	Heating Element for A-99B, A-99 Top & Center Collar; A-100B Top Collar and AA-10B
13.	WR-4	Heating Element for A-99B; A-99 Bottom Collar; and A-100B Bottom Collar
14.	WR-14	#14 Switch-to-Element Lead Wires, push-on terminal one end
15.	SW-4	#14 Double Switch-to-Element Lead Wires, push-on terminal one end
16.	MS-7 or MS-8	Switch, 26 amp., A-21, 4-way Rotary for push-on terminals
17.	KN-3	Pilot Light with Lead Wires, eyelet terminals
18.	CR-27	Pilot Light with Lead Wires, push-on terminals
19.	WR-13	Knob for 4-way Rotary Switch A-21, silver center
20.	WR-8 or WR-9	14-4, 240 v. 3 ft. cord with 4-prong plug for extension collars with push-on terminals
21.	MS-5	Receptacle-to-Switch Connecting Wires, push-on terminal one end
22.	WR-11	Green Case Grounding Wires, screw-on eyelet both ends
23.	RC-1	Green Case Grounding Wires, push-on terminal one end
24.	WR-10	Large Wire Connector
25.	MS-1	Sitter-to-Switch Box Jumper Wires, for kilns equipped with kiln sitter (not shown)
26.	MS-6	Receptacle, 4-wire, 20 amp., 125/250 v. for kiln's switch box
27.	CR-3	Receptacle-to-Receptacle Connecting Wires, screw-on eyelet both ends
28.	HW-12	OTHER REPLACEMENT PARTS
29.	HW-6	Lock-in Lid Support for Large A-series (10 sides or more)
30.	ST-3	Hand Lifts for A-series
31.	ST-1	Kiln Stand
32.	HW-8	Plastic Feet, only
33.	HW-7	#8 Plated Metal Screws
34.	PL-2	Fall Away Prop-R-Vent Kit
35.	HW-5	Peephole Plug, Cone Shaped for A-series
36.	Specify Model	Lid Handle, for large A-series
37.	Specify Model	Conduit for Kiln Sitter Wires (not shown)
37.	Specify Model	Cord Clamp

ALL LIDS MUST BE HAND-FITTED AND DRILLED TO MATCH HINGE ON KILN, BECAUSE OF VARIATIONS IN FIRED INSULATING FIREBRICK



MERCHANDISE TO BE SHIPPED TO ONE ADDRESS ON ONE ORDER **MUST TOTAL \$5.00** BEFORE THE POSTAGE AND HANDLING CHARGES ARE ADDED.

WHEN ORDERING PARTS, ALWAYS SPECIFY MODEL NUMBER, REFERENCE NUMBER, PART NUMBER, AND DESCRIPTION