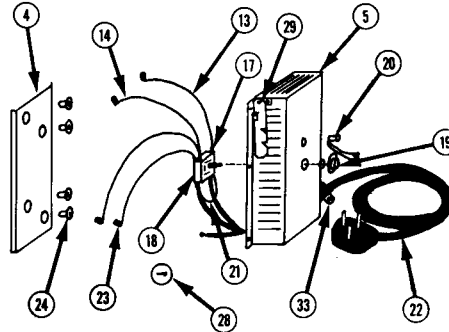
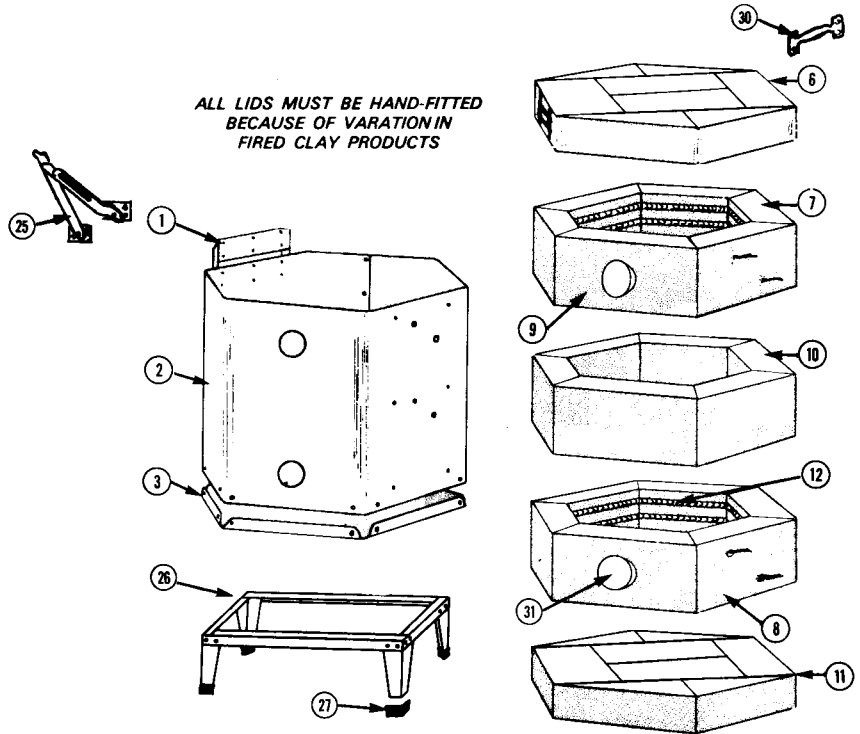


PARAGON KILN MODEL A-55B WIRING DIAGRAM AND PARTS IDENTIFICATION

The letter "B" following the Model Number means the kiln has a stainless steel jacket.

REF. NO.	PART NO.	DESCRIPTION
METAL JACKET PARTS		
1.	Specify Model	Hinge Complete, gray
2.	Specify Model	Form-Fitted Jacket, Stainless
3.	Specify Model	Full-Formed Steel Base
4.	Specify Model	Heat Shield
5.	Specify Model	Ventilated Switch Box, gray (box only)
INSULATING FIREBRICK		
6.	BR-11-55	Brick Lid with Band, Stainless (less hardware)
7.	BR-2-55	4" Straight Grooved Wall Brick
8.	BR-3-55	4" Terminal Wall Brick
9.	BR-4-55	4" Peephole Wall Brick
10.	BR-9-55	4" Plain Wall Brick
11.	BR-10-55	Brick Bottom, only
ELECTRICAL PARTS		
12.	EL.A-55	Heating Element for A-55B
13.	WR-2 or WR-4	#14 Switch-to-Element Lead Wires, screw-on eyelet both ends
14.	WR-14	#14 Double Switch-to-Element Lead Wires, push-on terminal one end
15.	WR-11	Sitter-to-Switch Box Jumper Wires, for kilns equipped with kiln sitter (not shown)
16.	MS-4	Small Wire Connector, for kilns equipped with kiln sitter (not shown)
17.	TR-2 or TR-5	#14 Ring Terminals (replace eyelet or push-on terminals)
18.	SW-4	Switch, 26 amp., A-21 4-way Rotary for push-on terminals
19.	KN-1 or KN-3	Knob for 4-way Rotary Switch TAAO or TAAO, black center
20.	MS-7 or MS-8	Pilot Light with Lead Wires, eyelet terminals
21.	Specify Model	Pilot Light with Lead Wires, push-on terminals
22.	CR-11	Switch Terminal L1-to-Terminal L2 Jumper Wire (For push-on connections, use a wire from WR-7 and a terminal from TR-5. For eyelet connections, use a wire from WR-6.)
23.	MS-6	12-3, 30 amp., 120 v., 7 ft. Cord with large plug for A-55B
24.	MS-1	Element Connectors
25.	HW-2	Porcelain Insulators (1 1/8" long)
OTHER REPLACEMENT PARTS		
26.	ST-4	Lock-in Lid Support for small A-series (6 sides or less)
27.	ST-1	Kiln Stand, 12" square for A-55B
28.	HW-8	Plastic Feet, only
29.	HW-7	#8 Plated Metal Screws
30.	HW-4	Fall Away Prop-R-Vent Kit
31.	PL-2	Lid Handle for small A-series (8 sides or less)
32.	Specify Model	Peephole Plug, Cone Shaped for A-series
33.	Specify Model	Conduit for Kiln Sitter Wires (not shown)
33.	Specify Model	Cord Clamp

ALL LIDS MUST BE HAND-FITTED BECAUSE OF VARIATION IN FIRED CLAY PRODUCTS



MODEL A-55B
4-way Rotary Switch
With Push-on Terminals

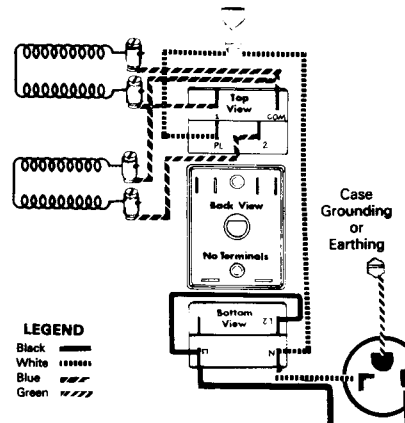
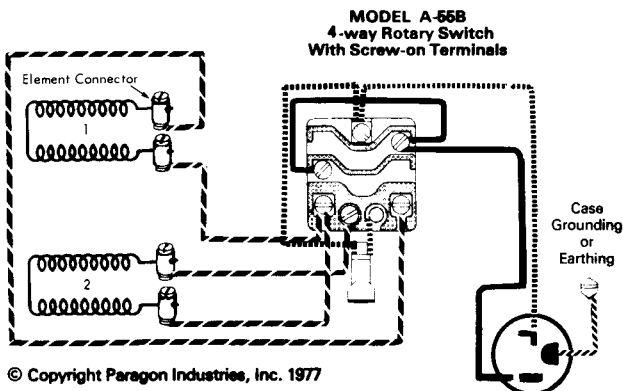
WHEN ORDERING PARTS ALWAYS SPECIFY MODEL NUMBER, REFERENCE NUMBER, PART NUMBER, AND DESCRIPTION

For prices of parts, see your current Paragon Kiln Catalog Price List.

All prices are F.O.B. factory, Dallas County, Texas and are subject to change without notice.

MERCHANDISE TO BE SHIPPED TO ONE ADDRESS ON ONE ORDER MUST TOTAL \$5.00 BEFORE THE POSTAGE & HANDLING CHARGES ARE ADDED.

Paragon
INDUSTRIES
BOX 808
MESQUITE, TEXAS 75149 - 0170



LEGEND
Black ———
White - - - - -
Blue - - - - -
Green - - - - -

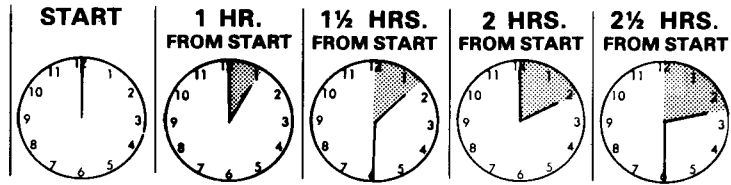


RECOMMENDED

FIRING SCHEDULE POSTER FOR PARAGON KILN MODEL A-55B

WARNING

Our warranty does not cover any damage caused by overfiring, regardless of the cause. *Never fire by time alone... always use pyrometric cones! If you cannot see the cones, turn off the kiln at once!*



AVERAGE FIRING TIME REQUIRED

Voltage variation can cause firing time to vary from 1/2 to more than twice the time shown.

DO NOT OPEN KILN LID FOR 8 HOURS AFTER FIRING HAS BEEN COMPLETED.

		START	1 HR. FROM START	1 1/2 HRS. FROM START	2 HRS. FROM START	2 1/2 HRS. FROM START	
CHINA PAINTS, GOLD and OTHER OVERGLAZES	KILN SWITCH	LOW	LOW	LOW	LOW	HIGH	<i>LEAVING SWITCH, PLUGS, AND LID IN PRESENT POSITION, LARGE CONE 019 BENDS IN 2 3/4 TO 3 1/4 HOURS AVERAGE</i>
	PEEPHOLE PLUGS	TOP OUT BOTTOM IN	TOP OUT BOTTOM IN	TOP OUT BOTTOM IN	TOP OUT BOTTOM IN	IN*	
	LID POSITION	VENTED	VENTED	VENTED	VENTED	CLOSED*	
LOW-FIRE GREENWARE and GLAZE	KILN SWITCH	LOW	MED	MED	HIGH		<i>LEAVING SWITCH, PLUGS AND LID IN PRESENT POSITION, LARGE CONE 05 BENDS IN 3 3/4 TO 4 1/4 HOURS AVERAGE</i>
	PEEPHOLE PLUGS	TOP OUT BOTTOM IN	TOP OUT BOTTOM IN	TOP OUT BOTTOM IN	IN*		
	LID POSITION	VENTED	VENTED	VENTED	CLOSED*		
PORCELAIN OR STONWARE GREENWARE and GLAZE	KILN SWITCH	LOW	MED	HIGH	HIGH		<i>LEAVING SWITCH, PLUGS AND LID IN PRESENT POSITION, LARGE CONE 4 BENDS IN 7 TO 7 1/4 HOURS AVERAGE</i>
	PEEPHOLE PLUGS	TOP OUT BOTTOM IN	TOP OUT BOTTOM IN	TOP OUT BOTTOM IN	IN*		
	LID POSITION	VENTED	VENTED	VENTED	CLOSED*		

* Do not close lid until all odor of china paint oils or burning lace has gone. Leave peephole plugs out until no vapor can be detected by holding a hand mirror in front of the top peephole.

- Place the proper pyrometric cone for the firing 3" to 4" behind the peephole, and make sure they are clearly visible through the peephole.
- Be sure low-fire glazed ware is properly stilted or dry-footed. Do not use stilts to support porcelain greenware or glaze. Dry-footing is necessary for both firings.
- If your kiln has a kiln-sitter, check it mechanically. Apply a thin coat of all-purpose, high fire, kiln wash to the upper edges of the cone supports and the lower side of the actuating rod. Then place the appropriate small pyrometric cone 1/4" away from the end of the refractory tube.

Only you have control of your kiln-sitter!

There is no warranty against overfiring, regardless of the cause!

- Choose the type firing you wish to do in the first column at left.
- Set your firing clock at exactly 12:00 o'clock.
- Turn switch to position shown under START opposite the type firing chosen.
- At the end of one-half hour, change switch to position shown under 1/2 HOUR.
- Follow the schedule through all time steps, making switch changes indicated in the columns corresponding to the time shown on your firing clock. Check the pyrometric cones behind the peephole every 15 minutes after the switch is turned to HIGH. Firing times are not affected any measurable amount by altitude (the number of feet above or below sea level) of kiln's location. But firing time can be doubled or cut in half by voltage variation at all altitudes.

DO NOT fire your kiln on a circuit at the same time that circuit is being used for any appliance or light which cannot be disconnected while the kiln is firing. Usually one circuit has several wall outlets and, for example, a fuse or circuit breaker marked "20" is designed to shut off when the TOTAL electrical current used by all of the wall outlets on that one circuit is very near 20 amperes.

To locate all outlets on the one circuit which you plan to use for firing the kiln, use the following procedure:

- Plug a lamp into the wall outlet you plan to use
- Turn the lamp on
- Unscrew one fuse (or turn off one breaker) at a time until the lamp goes out, and leave the fuse unscrewed (or breaker off)
- Plug the lamp into all other outlets—the outlets which do NOT light the lamp are on the same circuit
- Check your refrigerator, freezer, and other appliances or lights which cannot be disconnected while the kiln is firing to be sure they are not plugged into the dead circuit. If that circuit cannot be used to fire the kiln, repeat the procedure, remembering to screw in the fuse (or turn on the breaker) after each test.

DO NOT fire the kiln on the same circuit with a refrigerator, freezer, iron, hotplate, oven or similar appliance. **DO NOT** use an extension cord less than 3-wire 14 gauge, if it is necessary to use one at all. **DO NOT** plug the kiln or extension cord into a ceiling outlet.