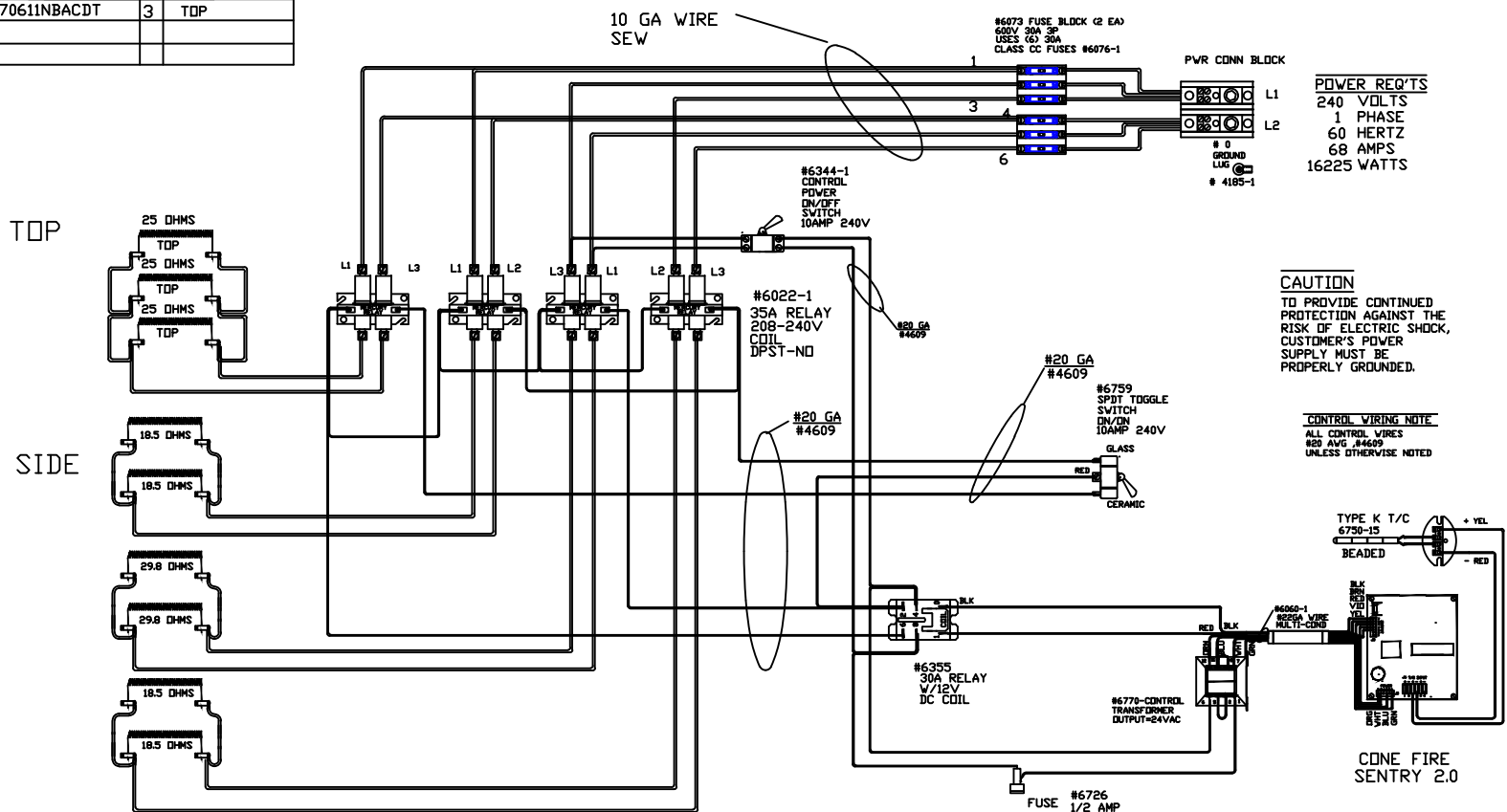


TO RE-ORDER ELEMENTS, SPECIFY		
DESCRIPTION	QTY	LOC
EL70611NBACDSTB	4	SIDE-TOP/BOT
EL70611NBACDSM	2	SIDE-MID
EL70611NBACDT	3	TOP

### WIRE SIZES

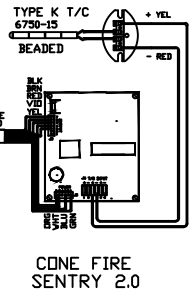
NOTE: ALL WIRES TO BE TYPE SEW/SF2, #10 AWG MINIMUM UNLESS NOTED



**POWER REQ'TS**  
 240 VOLTS  
 1 PHASE  
 60 HERTZ  
 68 AMPS  
 16225 WATTS

**CAUTION**  
 TO PROVIDE CONTINUED PROTECTION AGAINST THE RISK OF ELECTRIC SHOCK, CUSTOMER'S POWER SUPPLY MUST BE PROPERLY GROUNDED.

**CONTROL WIRING NOTE**  
 ALL CONTROL WIRES #20 AWG #4609 UNLESS OTHERWISE NOTED



CFG 21  
 2350°F  
 DDB  
 BLACK  
 PROFESSIONAL SERIES  
 TUV CERTIFIED

NOTE: PLEASE REFER TO THIS NUMBER WHEN ORDERING PARTS FOR THIS KILN

REV	DATE	BY	DESCRIPTION
-	4/8/15	DTB	

SWITCH BOX ASSY- 40986-176  
 PARAGON INDUSTRIES  
 2011 SOUTH TOWN EAST BLVD  
 MESQUITE, TEXAS 75149

WIRING DIAGRAM  
 240V, 1 PHASE, 60HZ, 16225WATTS

PART NO.	70611NBACD	REV	-
DRAGON 24- DP			