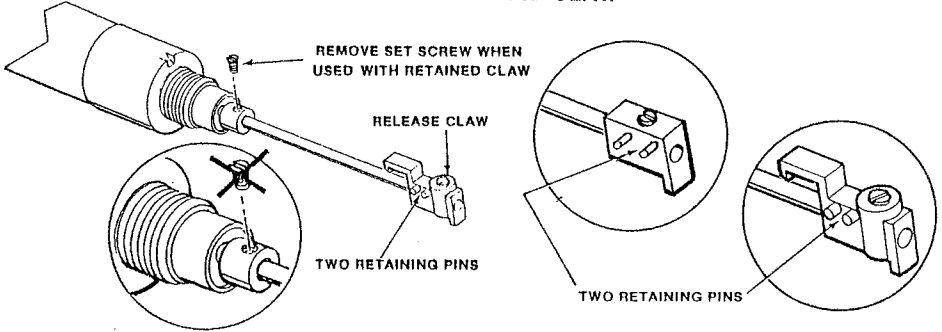


TUBE ASSEMBLY REPLACEMENT

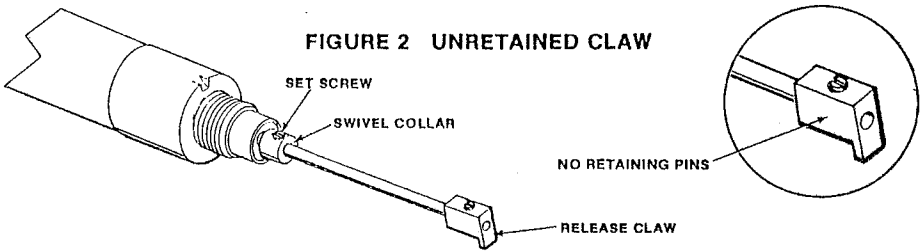
Every KILN SITTER model is designed with either a "RETAINED" or an "UNRETAINED" claw on the end of the sensing rod.

When replacing a tube assembly which has a "RETAINED" claw, as in Figure 1, REMOVE the set screw from the swivel collar. The "RETAINED" claw has two pins on the side and may be either aluminum or black nylon.

FIGURE 1 RETAINED CLAW



If the claw is an "UNRETAINED" style, as in Figure 2, then leave the set screw in the swivel collar. The "UNRETAINED" claw does not have any pins on the side and is available in aluminum only.



NOTE: The tube assemblies depicted in the above diagrams are "P" style; however, the directions apply to all KILN SITTER models. In addition, the release claw is not a part of the tube assembly replacement part.



W.P.DAWSON, INC.
399 THOR PLACE
BREA, CA 92821
714.529.2813 FAX 714.529.3254