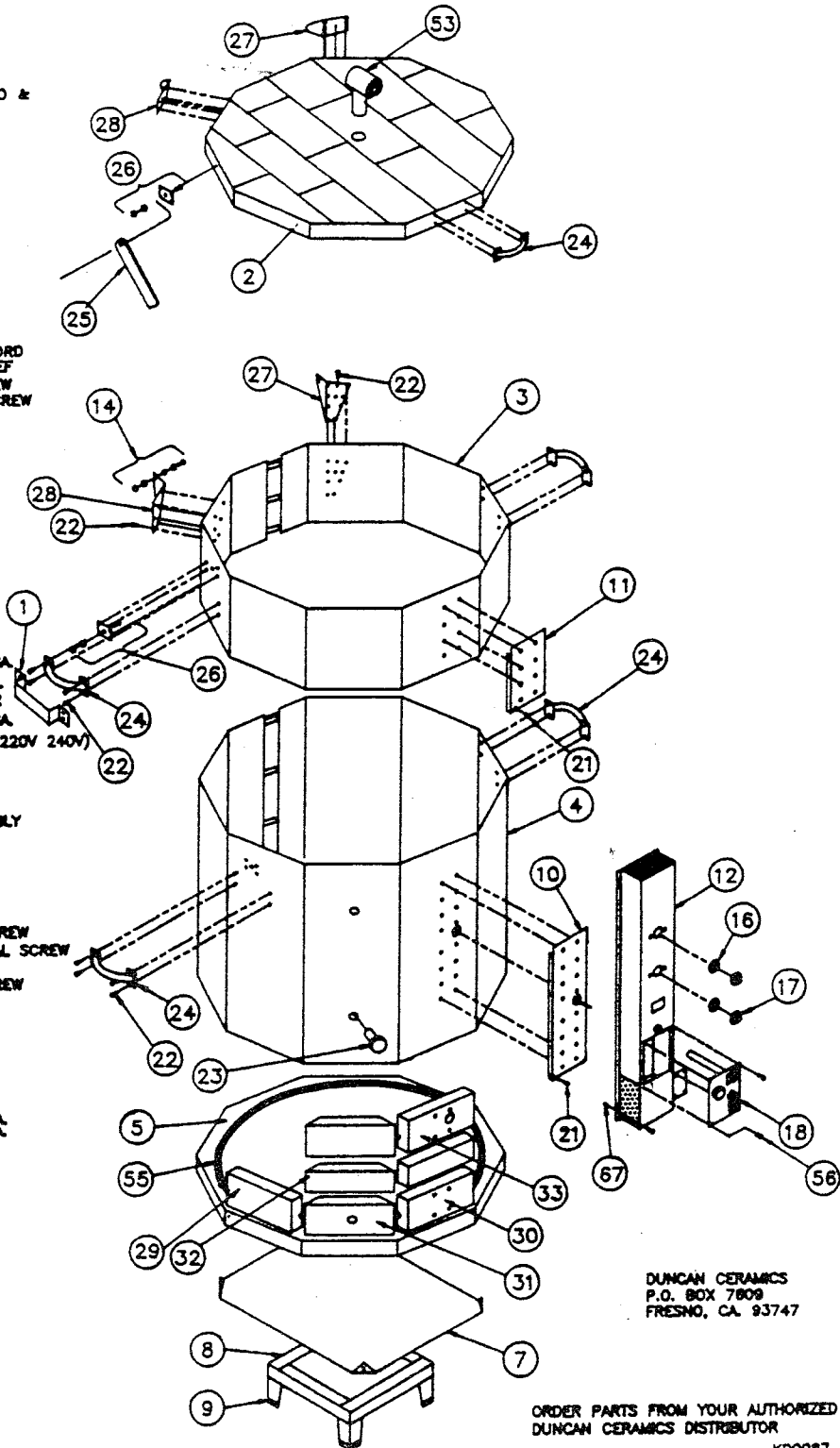


# DUNCAN MODELS DA 1029-4

## BODY PARTS

REF. NO.	PART NO.	DESCRIPTION
1.	KC 117	LID SUPPORT GUARD
2.	KC 016	1020/29 BRICK LID (BANDED & COATED) WITH VENT HOLE
3.	KC 049	COLLAR CASE W/CLAMPS
4.	KC 048	CASE W/CLAMPS
5.	KC 003	1020/29 BRICK BOTTOM
7.	KP 303	BASE PLATE
8.	KC 070	STAND W/FEET
9.	KE 030	STAND FEET
10.	KP 028	HEAT SHIELD
11.	KP 024	COLLAR HEAT SHIELD
12.	KC 035	CONTROL PANEL SHELL
13.	KA 183	PILOT LIGHT
14.	KC 222	HINGE PIVOT KIT
16.	KM 302	PAL NUT
17.	KM 319	EA SWITCH KNOB
18.	KM 400	ASD
19.	KM 333	1020/29 POWER SUPPLY CORD
20.	KE 343	1020/29 CORD STRAIN RELIEF
21.	KE 302	#8 X 1" SHEET METAL SCREW
22.	KE 301	#8 X 1/2" SHEET METAL SCREW
23.	KA 030	PEEPHOLE PLUG
24.	KE 009	HANDLE
25.	KC 112	1020/29 LID SUPPORT
26.	KC 115	LID SUPPORT MOUNTING KIT
27.	KC 203	RIGHT HINGE W/PIVOT
28.	KC 213	LEFT HINGE W/PIVOT
29.	KB 003	GROOVED BRICK
30.	KB 013	TERMINAL BRICK
31.	KB 023	PEEPHOLE BRICK
32.	KB 043	HALF BRICK
33.	KB 053	KILN SITTER BRICK
34.	KE 096	2 POLE TERMINAL STRIP
35.	KM 324	POWER RELAY
36.	KM 323	2 IN 1 TIMER
38.	KE 307	#8-32 X 1 1/4" SCREW
39.	KC 138	1" CONNECTING WIRE, 12 GA.
40.	KC 139	9" CONNECTING WIRE, 12 GA.
41.	KE 329	#8-32 NUT W/LOCK WASHER
42.	KC 189	10" CONNECTING WIRE, 18 GA.
43.	KM 300	INFINITE SWITCH W/PAL NUT(220V 240V)
44.	KC 418	18.4. WIRE COMBO 18 GA.
45.	KC 173	6.4 WIRE COMBO 18 GA.
47.	KC 177	6" CONNECTING WIRE
48.	KM 383	4" FIBERGLASS SLEEVING
49.	KC 309	STANDARD BUSS BAR ASSEMBLY
50.	KC 319	U-TERMINAL ASSEMBLY
51.	KE 080	INSULATOR
52.	KC 361	3 POSITION SWITCH
53.	KA 031	LID VENT PLUG
54.	KM 382	CAPACITOR ASSEMBLY #2
55.	KE 233	ELEMENTS (208V)
56.	KE 303	#8 X 1/2" SHEET METAL SCREW
57.	KE 311	#10-32 X 1/2" SHEET METAL SCREW
58.	KC 179	16" WIRE 12 GA.
59.	KE 314	#6-32 X 1/2" MACHINE SCREW
61.	KE 321	#10 STAR WASHER
62.	KE 322	#8 STAR WASHER
63.	KC 184	22.4 WIRE COMBO 18 GA.
64.	KC 182	6" CONNECTING WIRE 12 GA.
65.	KE 332	#10 HEX NUT
66.	KE 333	#8 HEX NUT
67.	KE 341	1/8" STAND OFF
68.	KC 180	20" CONNECTING WIRE 12 GA.
69.	KC 419	15" CONNECTING WIRE 18 GA.



DUNCAN CERAMICS  
P.O. BOX 7809  
FRESNO, CA. 93747

ORDER PARTS FROM YOUR AUTHORIZED  
DUNCAN CERAMICS DISTRIBUTOR

KD0087