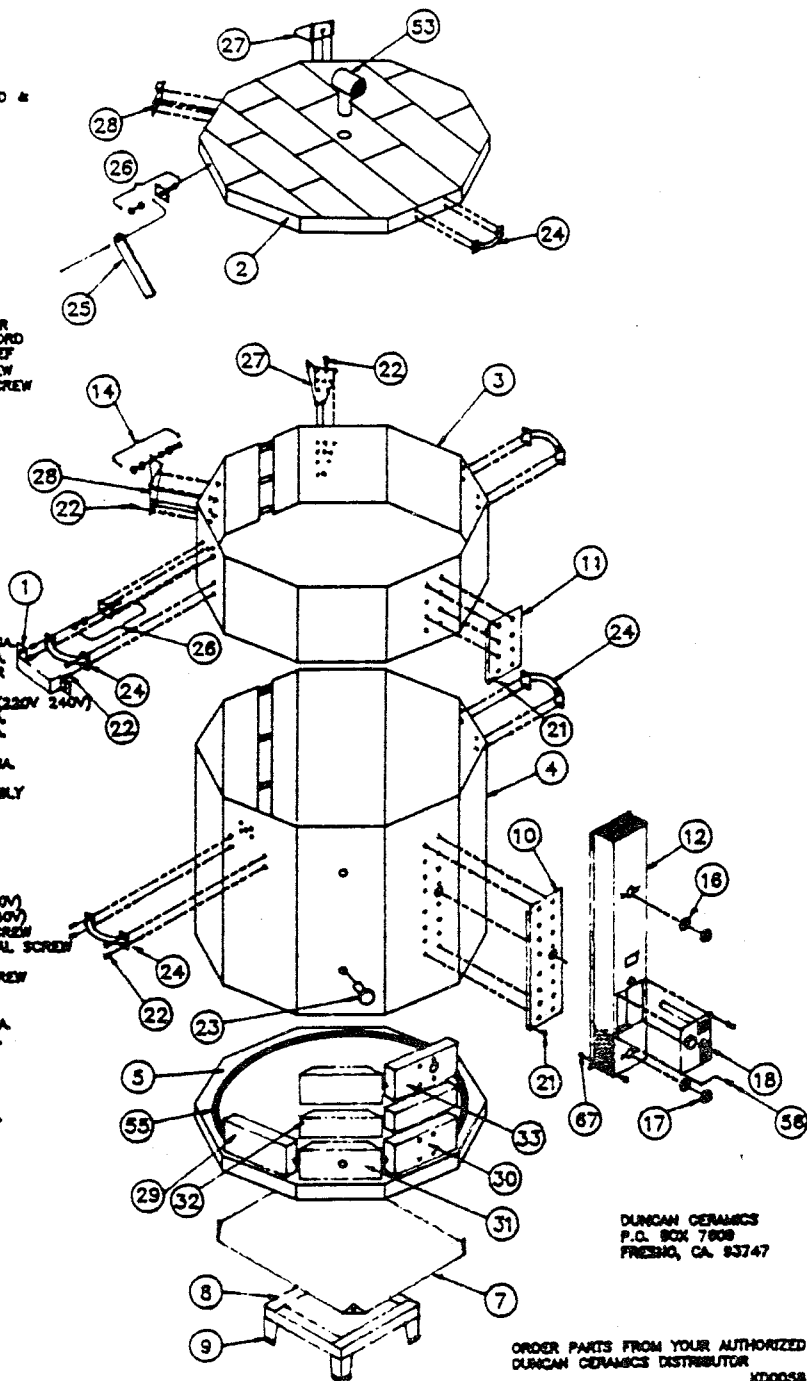


DUNCAN MODEL DA 1029-N

BODY PARTS

REF. PART NO.	NO.	DESCRIPTION
1.	KC 117	LID SUPPORT GUARD
2.	KC 016	1020/29 BRICK LID (BANDED & COATED) WITH VENT HOLE
3.	KC 048	COLLAR CASE W/CLAMPS
4.	KC 048	CASE W/CLAMPS
5.	KC 003	1020/29 BRICK BOTTOM
7.	KP 303	BASE PLATE
8.	KC 070	STAND W/FEET
9.	KE 030	STAND FEET
10.	KP 028	HEAT SHIELD
11.	KP 024	COLLAR HEAT SHIELD
12.	KC 035	CONTROL PANEL SHELL
13.	KA 183	PILOT LIGHT
14.	KC 222	HINGE PIVOT KIT
15.	KM 302	PAL NUT
16.	KM 319	6A SWITCH JONOB
17.	KM 208	KILN-SITTER W/SAFETY TIMER
18.	KM 333	1020/29 POWER SUPPLY CORD
20.	KE 343	1020/29 CORD STRAIN RELIEF
21.	KE 302	#8 X 1" SHEET METAL SCREW
22.	KE 301	#8 X 1/2" SHEET METAL SCREW
23.	KA 030	PEEPHOLE PLUG
24.	KE 008	HANDLE
25.	KC 112	1020/29 LID SUPPORT
26.	KC 115	LID SUPPORT MOUNTING KIT
27.	KC 203	RIGHT HINGE W/PIVOT
28.	KC 213	LEFT HINGE W/PIVOT
29.	KB 003	GROOVED BRICK
30.	KB 013	TERMINAL BRICK
31.	KB 023	PEEPHOLE BRICK
32.	KB 043	HALF BRICK
33.	KB 053	KILN SITTER BRICK
34.	KE 086	2 POLE TERMINAL STRIP
35.	KM 324	POWER RELAY
36.	KM	2N1 TIMER
38.	KE 307	#8-32 X 1 1/8" SCREW
39.	KC 138	1/8" CONNECTING WIRE, 12 GA.
40.	KC 138	1/8" CONNECTING WIRE, 12 GA.
41.	KE 328	#8-32 NUT W/LOCK WASHER
42.	KC 352	12.6 WIRE COMBO 18 GA.
43.	KM 300	INFINITE SWITCH W/PAL NUT(230V 240V)
44.	KC 187	6" CONNECTING WIRE, 18 GA.
45.	KC 188	12" CONNECTING WIRE, 18 GA.
46.	KC 186	22.4 WIRE COMBO, 18 GA.
47.	KC 178	18" CONNECTING WIRE, 12 GA.
48.	KM 383	4" FIBERGLASS SLEEVING
48.	KC 308	STANDARD BUSS BAR ASSEMBLY
50.	KC 318	U-TERMINAL ASSEMBLY
51.	KE 080	INSULATOR
52.	KM 340	CONTROL RELAY
53.	KA 031	LID VENT PLUG
54.	KM 342	CAPACITOR ASSEMBLY #2
55.	KE 223	TOP FOUR ELEMENTS(240V)
56.	KE 227	MIDDLE FOUR ELEMENTS (240V)
56.	KE 238	BOTTOM FOUR ELEMENTS (240V)
58.	KE 303	#8 X 1/2" SHEET METAL SCREW
58.	KE 311	#10-32 X 1/2" SHEET METAL SCREW
58.	KC 182	22.18 WIRE COMBO 18 GA.
60.	KE 314	#8-32 X 1/2" MACHINE SCREW
61.	KE 321	#10 STAR WASHER
61.	KE 322	#8 STAR WASHER
63.	KE 354	1/8" CONNECTING WIRE 18 GA.
64.	KC 182	6" CONNECTING WIRE 12 GA.
65.	KE 332	#10 HEX NUT
66.	KE 333	#8 HEX NUT
67.	KE 341	1/8" STAND OFF
68.	KC 341	3 POSITION SWITCH
70.	KC 364	6" CONNECTING WIRE 12 GA.



DUNCAN CERAMICS
P.O. BOX 7908
FRESNO, CA. 93747

ORDER PARTS FROM YOUR AUTHORIZED
DUNCAN CERAMICS DISTRIBUTOR

KD0038