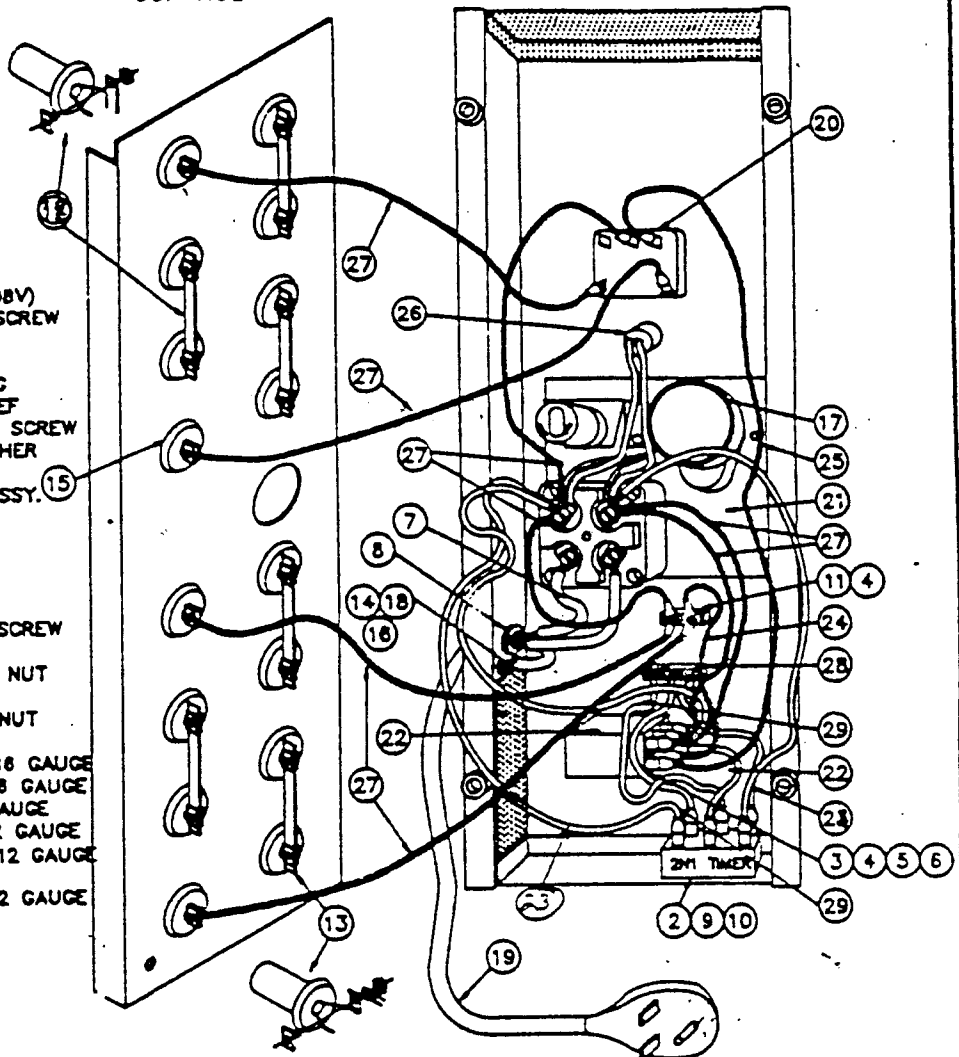


# DUNCAN MODELS DA 820-2,-4

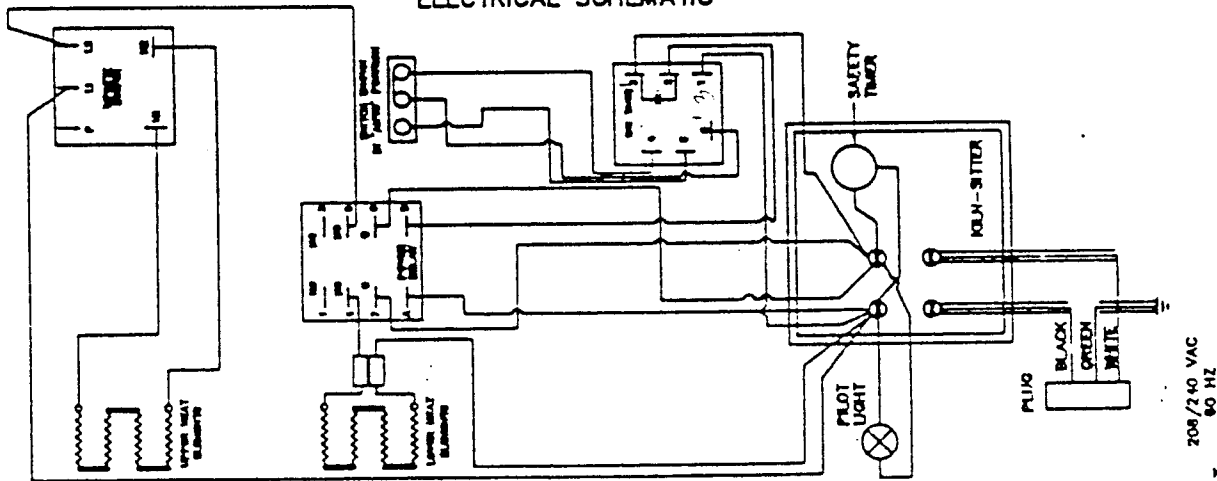
## CONTROL PANEL PARTS

REF. PART  
NO. NO. DESCRIPTION

- 2. KM 2N1 TIMER
- 3. KM 324 POWER RELAY (240/208V)
- 4. KE314 #6-32X1/2" MACHINE SCREW
- 5. KE322 #6 STAR WASHER
- 6. KE333 #6-32 HEX NUT
- 7. KM383 4" FIBERGLASS SLEEVING
- 8. KM342 820, CORD STRAIN RELIEF
- 9. KE307 #8-32X1-1/4" MACHINE SCREW
- 10. KE329 #6-32 HEX NUT W/WASHER
- 11. KE096 2 POLE TERMINAL STRIP
- 12. KC309 STANDARD BUSS BAR ASSY.
- 13. KC319 U-TERMINAL ASSY.
- 14. KE332 #10-32 HEX NUT
- 15. KE060 INSULATOR
- 16. KE321 #10 STAR WASHER
- 17. KM067 TIMER MOTOR (60 HZ)
- 18. KE317 #10-32X3/8" MACHINE SCREW
- 19. KE322 POWER CORD 30 AMP
- 20. KM300 INFINITE SWITCH W/PAL NUT (240/220V)
- 21. KM301 INFINITE SWITCH W/PAL NUT (208V)
- 22. KC169 10" CONNECTING WIRE, 18 GAUGE
- 23. KC167 6" CONNECTING WIRE, 18 GAUGE
- 24. KC181 12.9 COMBO WIRE, 18 GAUGE
- 25. KC177 8" CONNECTING WIRE 12 GAUGE
- 26. KC179 16" CONNECTING WIRE, 12 GAUGE
- 27. KC163 EA PILOT LIGHT
- 28. KC139 8" CONNECTING WIRE, 12 GAUGE
- 29. KC361 3 POSITION SWITCH



## ELECTRICAL SCHEMATIC



208/240 VAC  
60 HZ

K00630

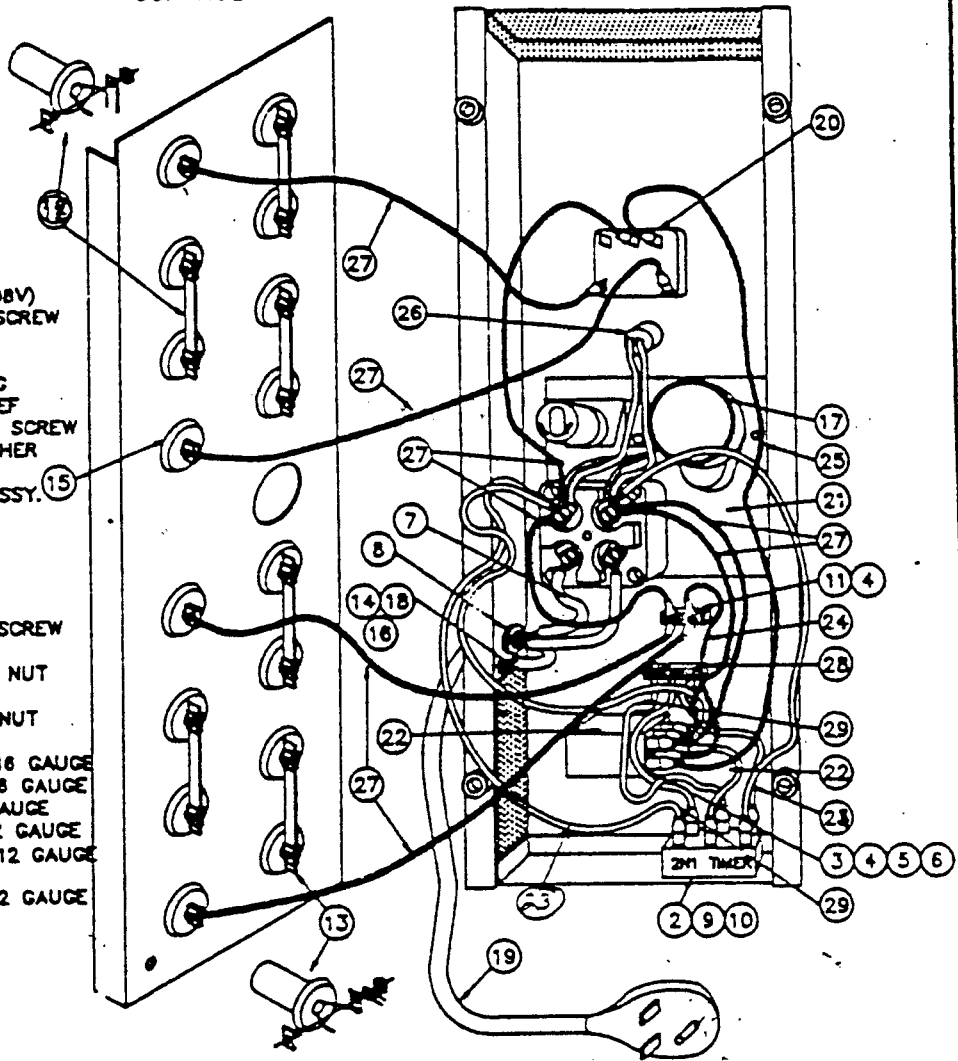
LX873

# DUNCAN MODELS DA 820-2,-4

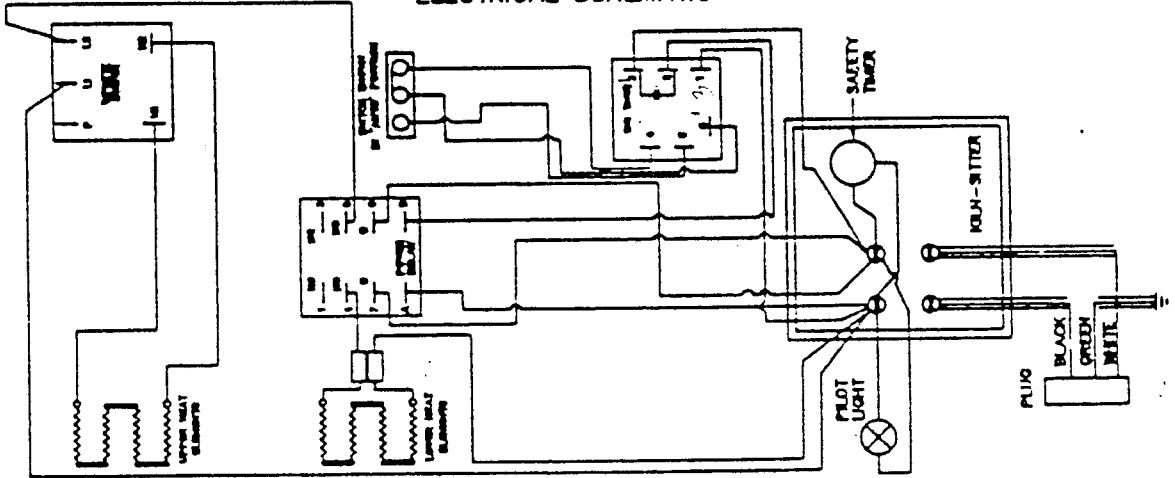
## CONTROL PANEL PARTS

REF. PART NO. DESCRIPTION

- 2. KM 2N1 TIMER
- 3. KM 324 POWER RELAY (240/208V)
- 4. KE314 #8-32X1/2" MACHINE SCREW
- 5. KE322 #6 STAR WASHER
- 6. KE333 #6-32 HEX NUT
- 7. KM383 4" FIBERGLASS SLEEVING
- 8. KM342 820, CORD STRAIN RELIEF
- 9. KE307 #8-32X1-1/4" MACHINE SCREW
- 10. KE329 #6-32 HEX NUT W/WASHER
- 11. KE096 2 POLE TERMINAL STRIP
- 12. KC309 STANDARD BUSS BAR ASSY.
- 13. KC319 U-TERMINAL ASSY.
- 14. KE332 #10-32 HEX NUT
- 15. KE060 INSULATOR
- 16. KE321 #10 STAR WASHER
- 17. KM067 TIMER MOTOR (60 HZ)
- 18. KE317 #10-32X3/8" MACHINE SCREW
- 19. KE322 POWER CORD 30 AMP
- 20. KM300 INFINITE SWITCH W/PAL NUT (240/220V)
- KM301 INFINITE SWITCH W/PAL NUT (208V)
- 21. KC189 10" CONNECTING WIRE, 18 GAUGE
- 22. KC167 6" CONNECTING WIRE, 18 GAUGE
- 23. KC181 12,9 COMBO WIRE, 18 GAUGE
- 24. KC177 8" CONNECTING WIRE 12 GAUGE
- 25. KC179 16"CONNECTING WIRE, 12 GAUGE
- 26. KC163 EA PILOT LIGHT
- 27. KC139 9" CONNECTING WIRE, 12 GAUGE
- 28. KC361 3 POSITION SWITCH



## ELECTRICAL SCHEMATIC



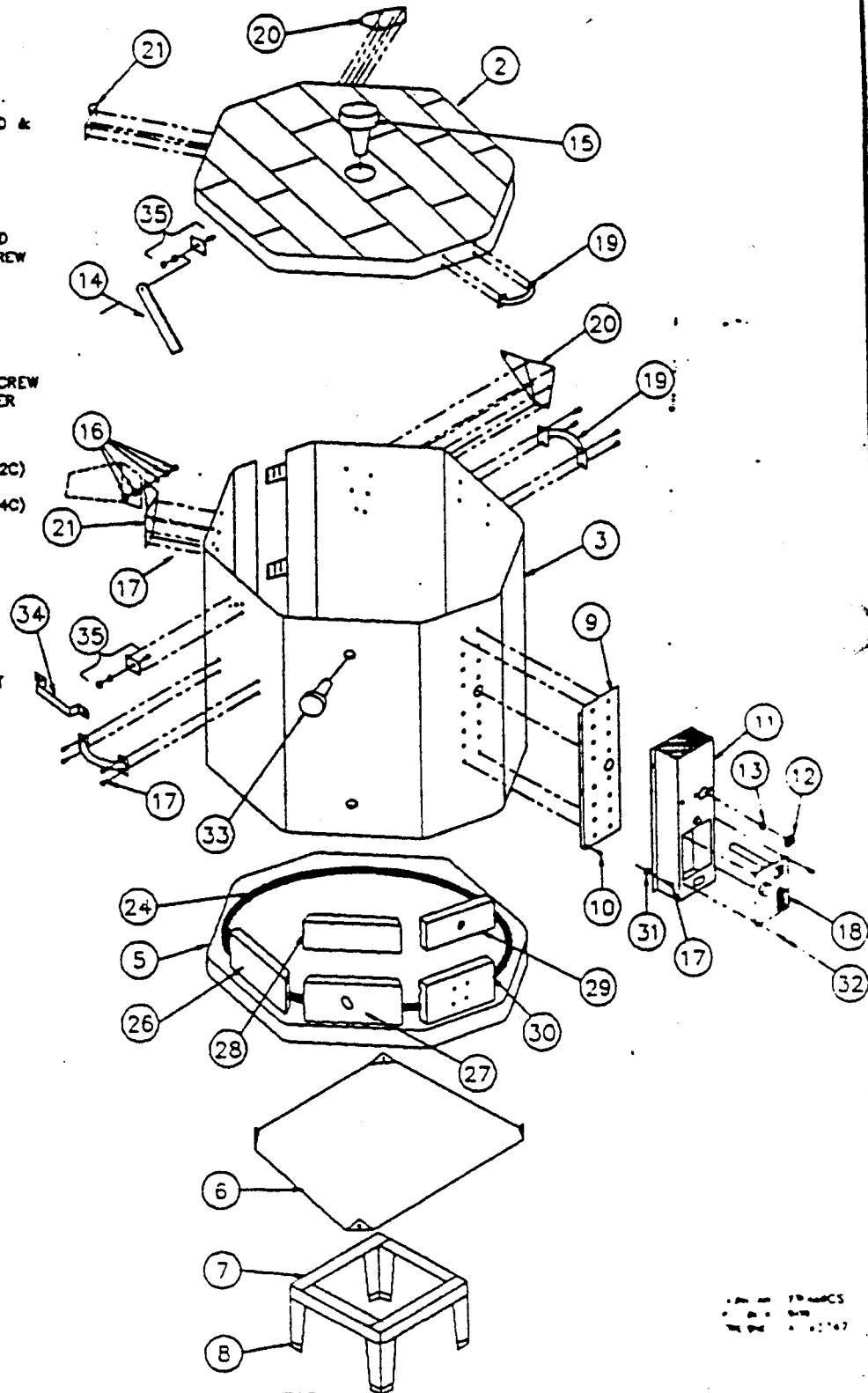
208/240 VAC  
60 HZ

KD0030  
L0873

# DUNCAN MODELS DA 820-2,-4

## BODY PARTS

REF. NO.	PART NO.	DESCRIPTION
2.	KC 015	DA 820 BRICK LID (BANDED & COATED) WITH VENT HOLE
3.	KC 080	820 CASE W/CLAMPS
5.	KC 002	DA 820 BRICK BOTTOM
6.	KP 302	820 BASE PLATE
7.	KC 069	820 STAND W/FEET
8.	KC 030	STAND FEET
9.	KP 028	820. 1020/29 HEAT SHIELD
10.	KE 302	3/8 X 1" SHEET METAL SCREW
11.	KC 058	CONTROL PANEL SHELL
12.	KM 319	EA SWITCH KNOB
13.	KW 302	PAL NUT
14.	KC 120	820 LID SUPPORT
15.	KA 031	LID VENT PLUG
16.	KC 222	HINGE PIVOT KIT
17.	KE 301	3/8 X 1/2" SHEET METAL SCREW
18.	KM 208	KILN-SITTER W/SAFETY TIMER
19.	KE 009	HANDLE
20.	KC 204	820 RIGHT HINGE W/PIVOT
21.	KC 214	820 LEFT HINGE W/PIVOT
24.	KE 202	820 ELEMENT 240V (-2,-2C)
	OR	
	KE 212	820 ELEMENT 208V (-4,-4C)
26.	KB 002	820 GROOVED BRICK
27.	KB 022	820 PEEPHOLE BRICK
28.	KB 042	820 HALF BRICK
29.	KB 052	820 KILN-SITTER BRICK
30.	KB 012	820 TERMINAL BRICK
31.	KE 341	1/8" STANDOFF
32.	KE 303	3/8 X 1/2" SCREW
33.	KA 030	PEEPHOLE PLUG
34.	KC 117	LID SUPPORT GUARD
35.	KC 116	LID SUPPORT MOUNTING KIT



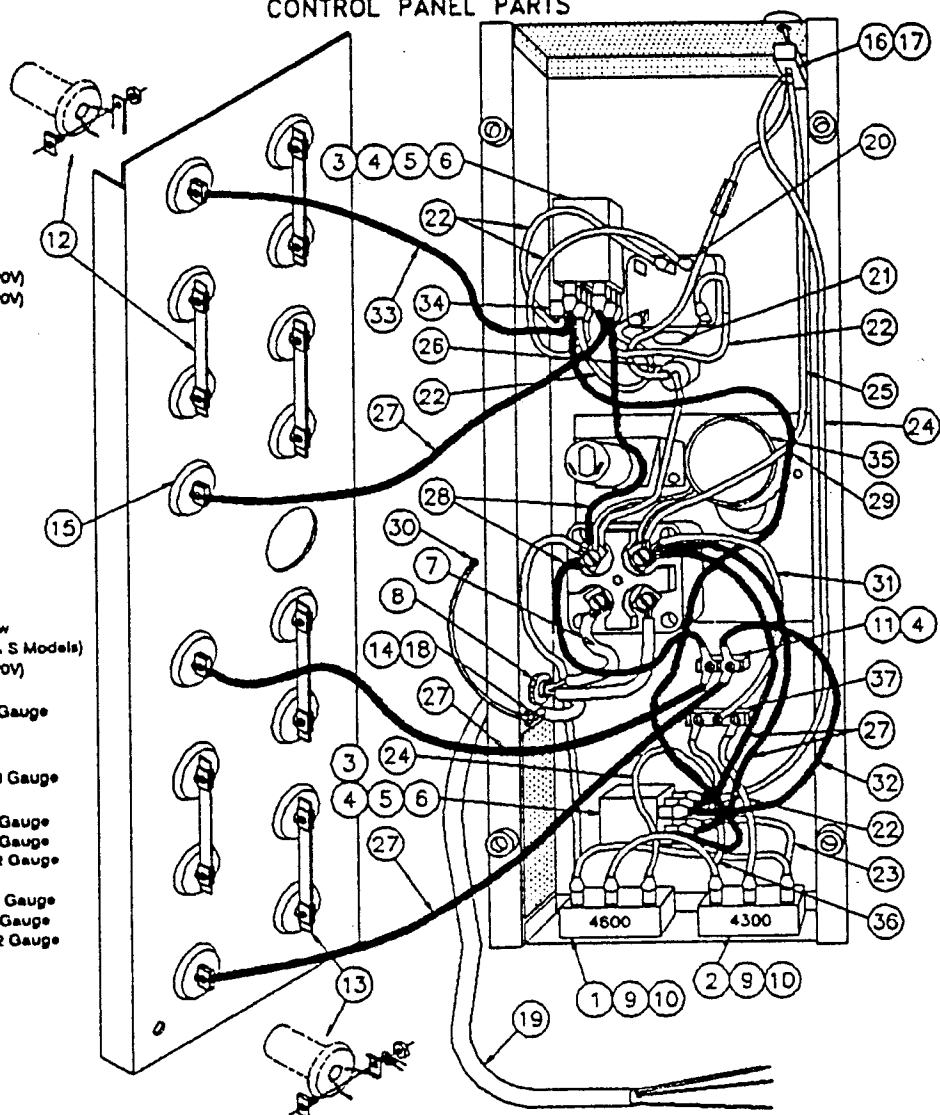
ORDER PARTS FROM YOUR AUTHORIZED DUNCAN CERAMICS DISTRIBUTOR

# DUNCAN EXPORT MODELS DA 820-6A,6E

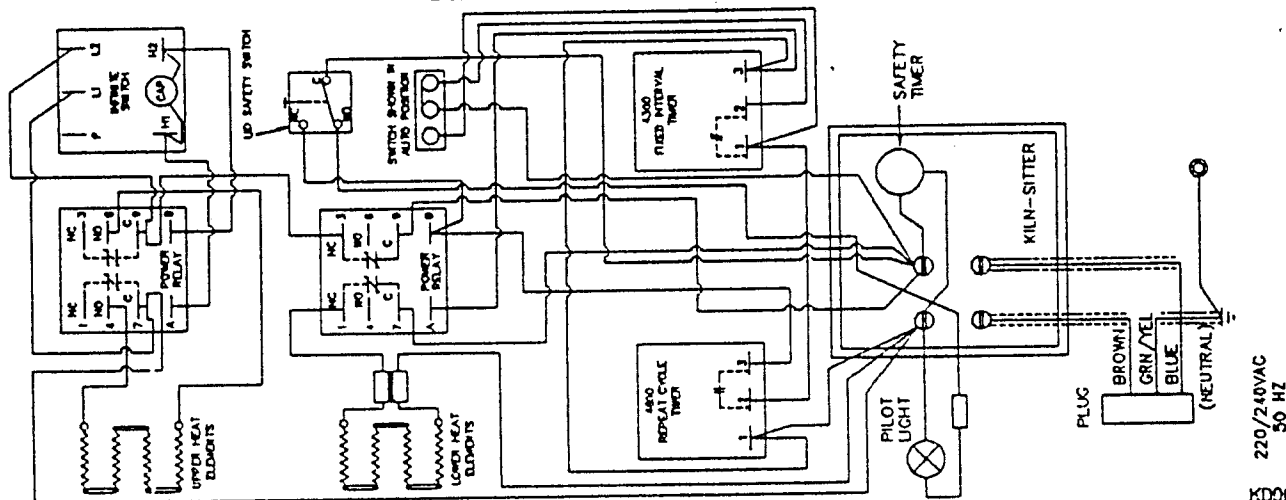
## CONTROL PANEL PARTS

### REF. PART

NO.	NO.	DESCRIPTION
1.	KM 326	4600 Repeat Cycle Timer (240/220V)
2.	KM 325	4300 Fixed Interval Timer (240/220V)
3.	KM 324	Power Relay (240/220V)
4.	KE 314	#8-32 X 1/2" Machine Screw
5.	KE 322	#8 Star Washer
6.	KE 333	#8-32 Hex Nut
7.	KM 382	#1 x 5-1/2" Fiberglass Sleeving
8.	KM 342	820, 1020/29 Cord Strain Relief
9.	KE 307	#8-32 x 1-1/4" Machine Screw
10.	KE 329	#8-32 Hex Nut w/Washer
11.	KE 098	2 Pole Terminal Strip
12.	KC 309	Standard Buss Bar Assembly
13.	KC 319	U-Terminal Assembly
14.	KE 334	#10-32 Hex Nut w/Washer
15.	KE 060	Insulator
16.	KM 309	Lid Safety Switch
17.	KM 363	Lid Switch Mounting Kit
18.	KE 315	#10-32 x 1/2" Tamperproof Screw
19.	KM 336	820 Power Supply Cord (A,E,F, & S Models)
20.	KM 300	Infinite Switch w/Pal Nut (240/220V)
21.	KM 362	Capacitor Assembly #2
22.	KC 187	6" (15 cm) Connecting Wire, 18 Gauge
23.	KC 171	10,8,8 Wire Combo, 18 Gauge
24.	KC 160	8,18 Wire Combo, 18 Gauge
25.	KC 131	14" (36 cm) Connecting Wire, 18 Gauge
26.	KC 191	Pilot Light Assembly (820)
27.	KC 136	9" (23 cm) Connecting Wire, 12 Gauge
28.	KC 182	6" (15 cm) Connecting Wire, 12 Gauge
29.	KC 178	14" (25 cm) Connecting Wire, 12 Gauge
30.	KC 150	9" (23 cm) Ground Wire
31.	KC 169	10" (25 cm) Connecting wire, 18 Gauge
32.	KC 177	6" (15 cm) Connecting Wire, 12 Gauge
33.	KC 138	14" (36 cm) Connecting Wire, 12 Gauge
34.	KE 065	T-Terminal Adapter
35.	KM 068	Timer Motor (50 HZ)
36.	KC 173	6, 4 Wire Combo, 18 Gauge
37.	KM 361	3 Position Switch



## ELECTRICAL SCHEMATIC



220/240VAC  
50 HZ

KD0024

LX881