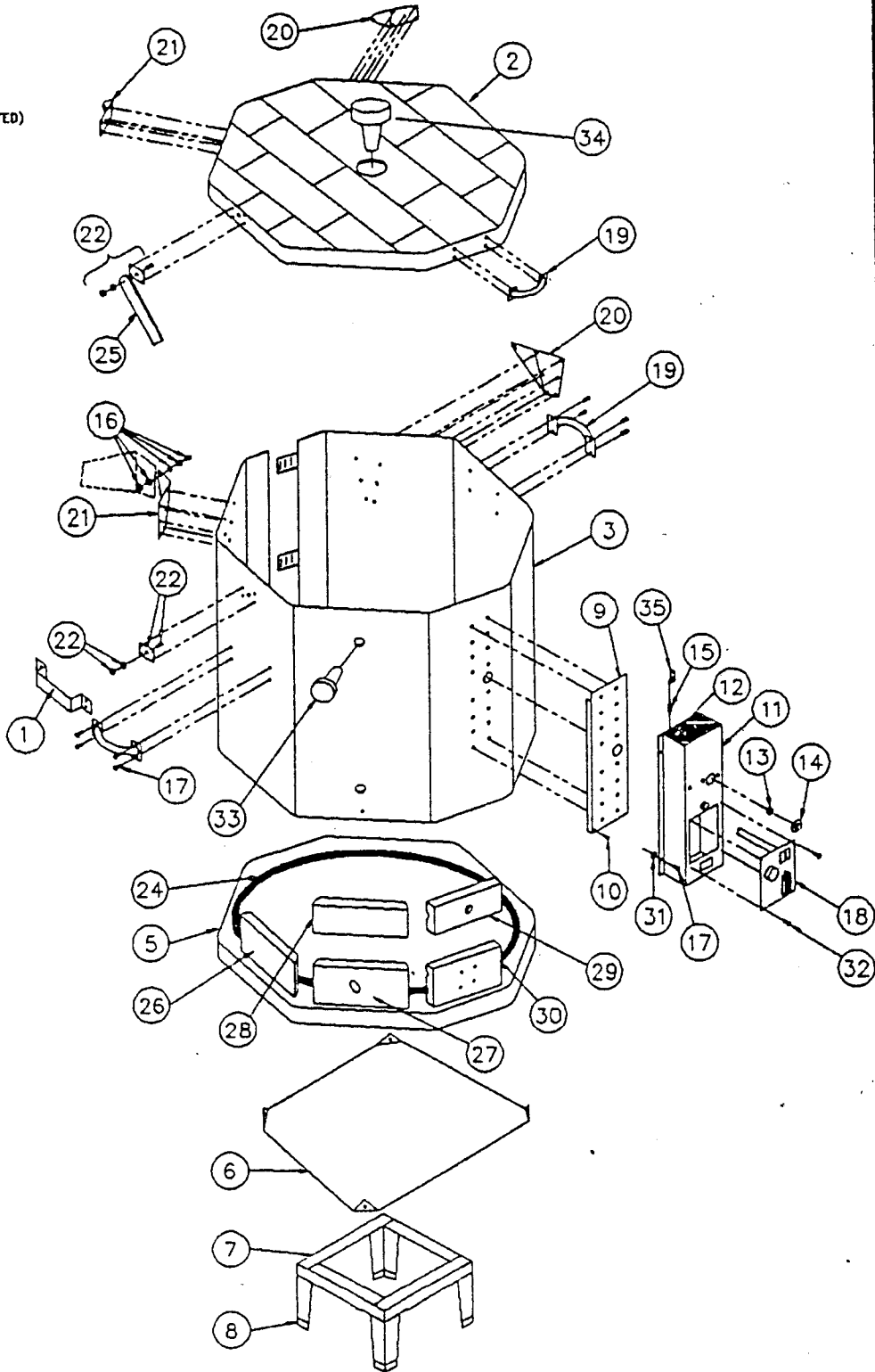


DUNCAN MODEL DA 820-8A

BODY PARTS

REF. NO.	PART NO.	DESCRIPTION
1.	KC 117	LID SUPPORT GUARD
2.	KC 015	DA 820 BRICK LID (BANDED & COATED)
3.	KC 080	CASE W/CLAMPS
5.	KC 002	DA 820 BRICK BOTTOM
6.	KP 302	820 BASE PLATE
7.	KC 089	820 STAND W/FEET
8.	KE 030	STAND FEET
9.	KP 028	820,1020/28 HEAT SHIELD
10.	KE 302	#8 X 1" SHEET METAL SCREW
11.	KC 091	820-8/8 CONTROL PANEL SHELL
12.	KE 011	LID SWITCH GUIDE
13.	KM 302	PAL NUT
14.	KM 310	SWITCH KNOB
15.	KE 111	TEFLON SWITCH ACTUATOR KIT
16.	KC 222	HINGE PIVOT KIT
17.	KE 301	#8 X 1/2 SHEET METAL SCREW
18.	KM 208	KILN-SITTER W/SAFETY TIMER
19.	KE 009	HANDLE
20.	KC 204	820 RIGHT-HINGE W/PIVOT
21.	KC 214	820 LEFT HINGE W/PIVOT
22.	KC 118	LID SUPPORT MOUNTING KIT
24.	KE 202	820 ELEMENTS (240V)
OR		
	KE 234	820 ELEMENT (220V)
25.	KC 120	820 LID SUPPORT
26.	KB 002	820 GROOVED BRICK
27.	KB 022	820 PEEPHOLE BRICK
28.	KB 042	HLF BRICK
29.	KB 052	820 KILN-SITTER BRICK
30.	KB 012	820 TERMINAL BRICK
31.	KE 341	1/8" STANDOFF
32.	KE 303	#6 X 1/2 SHEET METAL SCREW
33.	KA 030	PEEPHOLE PLUG
34.	KE 031	LID VENT HOLE PLUG
35.	KE 010	SWITCH BRACKET



DUNCAN CERAMICS
P.O. BOX 7609
FRESNO, CA 93747

ORDER PARTS FROM YOUR AUTHORIZED DUNCAN CERAMICS DISTRIBUTOR.

KD0069