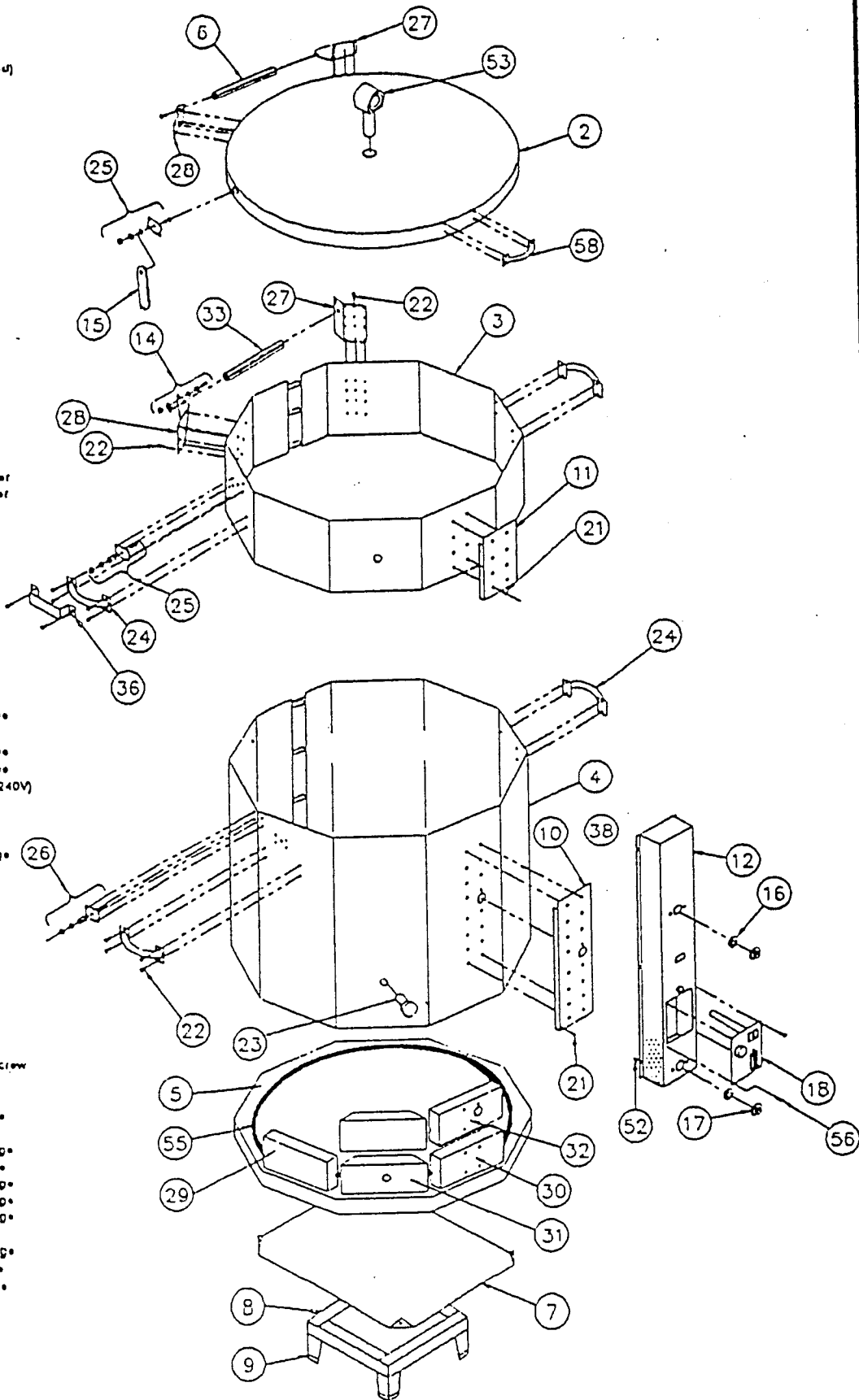


DUNCAN MODEL DB 1027-2

REF. PART NO. DESCRIPTION

- 2. KC 310 1027 Drick Lid (Dished & Coated) w/Vent Hole
- 3. KC 312 1027 Collar Case w/Clamps
- 4. KC 313 1027 Case w/Clamps
- 5. KC 311 1027 Drick Bottom
- 6. KC 223 1020/20 Hinge Bar, Upper
- 7. KP 303 Base Plate
- 8. KC 073 Stand w/Feeel
- 9. KE 036 Stand Feeel
- 10. KP 033 1027 Heat Shield
- 11. KP 034 1027 Collar Heat Shield
- 12. KC 067 1027 Control Panel Shell
- 13. KC 111 EA Pilot Light
- 14. KC 232 Hinge Pinol Kit
- 15. KC 112 1020/20 Lid Support
- 16. KM 302 Pal Nut
- 17. KM 319 Switch Knob, White
- 18. KM 308 Klin-Slitter w/Safety Timer
- 19. KM 320 1029 Power Supply Cord, Exp.
- 20. KM 343 1020/20 Cord Strain Relief
- 21. KE 302 #8 x 1" Sheet Metal Screw
- 22. KE 301 #8 x 1/2" Sheet Metal Screw
- 23. KA 032 Peephole Plug
- 24. KE 009 Handle
- 25. KC 115 Lid Support Mounting Kit, Upper
- 26. KC 116 Lid Support Mounting Kit, Lower
- 27. KC 223 Right Hinge w/Phool
- 28. KC 226 Left Hinge w/Phool
- 29. KD 005 1027 Grooved Drick
- 30. KD 015 1027 Terminal Drick
- 31. KD 023 1027 Peephole Drick
- 32. KD 055 1027 Klin-Slitter Drick
- 33. KC 224 1020/20 Hinge Bar, Lower
- 34. KC 304 6' Connecting Wire, 12 Gauge
- 35. KM 324 Power Relay
- 36. KC 117 Lid Support Guard



- 38. KC 136 14' Connecting Wire, 12 Gauge
- 40. KC 139 6' Connecting Wire, 12 Gauge
- 41. KC 422 10' Connecting Wire, 16 Gauge
- 42. KC 178 14' Connecting Wire, 12 Gauge
- 43. KM 300 Infinite Switch w/Pal Nut (220/240V)
- 44. KC 107 6' Connecting Wire, 10 Gauge
- 45. KE 334 #10-32 Hex Nut w/Washer
- 46. KE 333 #8-32 Hex Nut
- 47. KC 138 14' Connecting Wire, 12 Gauge
- 48. KM 362 5' Fiberglass Sleeving
- 49. KC 309 Standard Duss Bar Assembly
- 50. KC 319 U-Terminal Assembly
- 51. KE 000 Insulator
- 52. KE 341 1/8" Standoff
- 53. KA 031 Lid Vent Hole Plug
- 54. KM 302 Capacitor Assembly #2
- 55. KE 224 Top Four Elements (240V)
- 56. KE 223 Middle Four Elements (240V)
- 57. KE 226 Bottom Four Elements (240V)
- 58. KE 303 #8 x 1/2" Sheet Metal Screw
- 59. KE 313 #10-32 x 1/2" Tamperproof Screw
- 60. KE 008 Handle (for Round Lid)
- 61. KC 314 #10-32 x 1/2" Machine Screw
- 62. KC 177 6' Connecting Wire, 12 Gauge
- 63. KE 322 #8 Flat Washer
- 64. KC 182 10' Connecting Wire, 12 Gauge
- 65. KC 182 6' Connecting Wire, 12 Gauge
- 66. KC 123 18' Connecting Wire, 10 Gauge
- 67. KC 370 10' Connecting Wire, 16 Gauge
- 68. KC 120 12' Connecting Wire, 12 Gauge
- 69. KM 071 Safety Timer, 1027-0
- 70. KC 419 15' Connecting Wire, 10 Gauge
- 71. KC 100 8, 14' Wire Combo, 10 Gauge
- 72. KC 186 6' Connecting Wire, 10 Gauge
- 73. KC 153 25' Grounding Wire
- 74. KC 150 6' Grounding Wire
- 75. KE 101 Terminal Block Assembly
- 76. KE 332 #10-32 Hex Nut