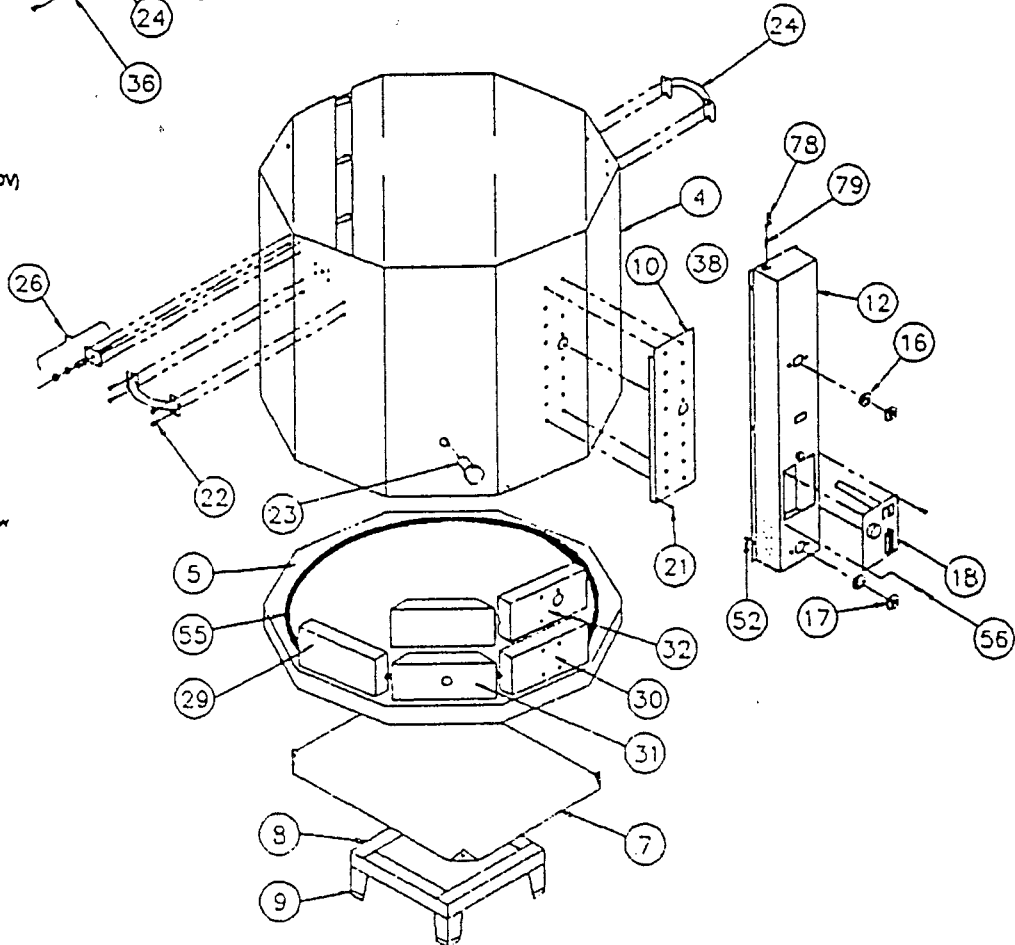
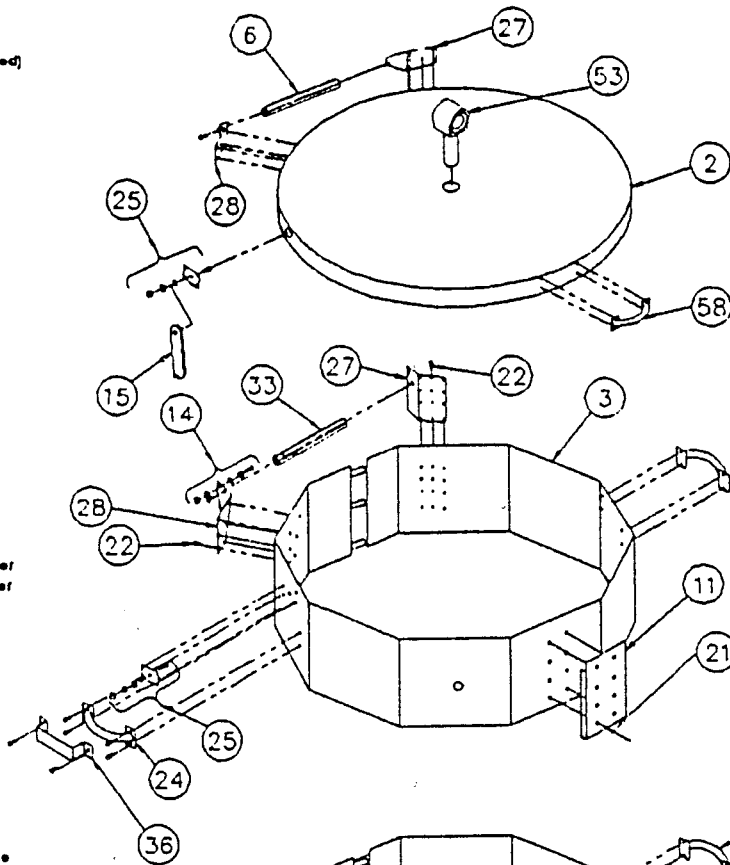


# DUNCAN MODEL DB 1027-6A

REF. NO.	PART NO.	DESCRIPTION
2.	KC 310	1027 Brick Lid (Banded & Coated) w/Vent Hole
3.	KC 312	1027 Collar Case w/Clamps
4.	KC 313	1027 Case w/Clamps
5.	KC 311	1027 Brick Bottom
6.	KC 223	1020/29 Hinge Bar, Upper
7.	KP 303	Base Plate
8.	KC 073	Stand w/Feet
9.	KE 030	Stand Feet
10.	KP 033	1027 Heat Shield
11.	KP 034	1027 Collar Heat Shield
12.	KC 067	1027 Control Panel Shell
13.	KC 111	EA Pilot Light
14.	KC 222	Hinge Pivot Kit
15.	KC 112	1020/29 Lid Support
16.	KM 302	Pal Nut
17.	KM 319	Switch Knob, White
18.	KM 208	Klin-Sitter w/Safety Timer
19.	KM 320	1029 Power Supply Cord, Exp.
20.	KM 343	1020/29 Cord Strain Relief
21.	KE 302	#8 x 1" Sheet Metal Screw
22.	KE 301	#8 x 1/2" Sheet Metal Screw
23.	KA 032	Peephole Plug
24.	KE 009	Handle
25.	KC 115	Lid Support Mounting Kit, Upper
26.	KC 118	Lid Support Mounting Kit, Lower
27.	KC 223	Right Hinge w/Pivot
28.	KC 226	Left Hinge w/Pivot
29.	KB 005	1027 Grooved Brick
30.	KB 015	1027 Terminal Brick
31.	KB 025	1027 Peephole Brick
32.	KB 055	1027 Klin-Sitter Brick
33.	KC 224	1020/29 Hinge Bar, Lower
34.	KC 364	8" Connecting Wire, 12 Gauge
35.	KM 324	Power Relay
36.	KC 117	Lid Support Guard



38.	KC 138	14" Connecting Wire, 12 Gauge
39.	KC 139	8" Connecting Wire, 12 Gauge
40.	KC 422	10" Connecting Wire, 18 Gauge
41.	KC 178	14" Connecting Wire, 12 Gauge
42.	KM 300	Infinite Switch w/Pal Nut (220/240V)
43.	KC 187	8" Connecting Wire, 18 Gauge
44.	KE 334	#10-32 Hex Nut w/Washer
45.	KE 333	#8-32 Hex Nut
46.	KC 138	14" Connecting Wire, 12 Gauge
47.	KM 382	5" Fiberglass Sleeving
48.	KC 309	Standard Buss Bar Assembly
49.	KC 319	U-Terminal Assembly
50.	KE 000	Insulator
51.	KE 341	1/8" Standoff
52.	KA 031	Lid Vent Hole Plug
53.	KM 362	Capacitor Assembly #2
54.	KE 224	Top Four Elements (240V)
55.	KE 225	Middle Four Elements (240V)
56.	KE 226	Bottom Four Elements (240V)
57.	KE 303	#8 x 1/2" Sheet Metal Screw
58.	KE 015	#10-32 x 1/2" Tamperproof Screw
59.	KE 008	Handle (for Round Lid)
60.	KE 314	#8-32 x 1/2" Machine Screw
61.	KC 177	8" Connecting Wire, 12 Gauge
62.	KE 322	#6 Star Washer
63.	KC 192	10" Connecting Wire, 12 Gauge
64.	KC 182	8" Connecting Wire, 12 Gauge
65.	KC 125	18" Connecting Wire, 18 Gauge
66.	KC 370	10" Connecting Wire, 18 Gauge
67.	KC 126	12" Connecting Wire, 12 Gauge
68.	KM 071	Safety Timer, 1027-6
69.	KC 419	15" Connecting Wire, 18 Gauge
70.	KC 106	9, 14" Wire Combo, 18 Gauge
71.	KC 188	8" Connecting Wire, 18 Gauge
72.	KC 153	25" Grounding Wire
73.	KC 150	8" Grounding Wire
74.	KE 101	Terminal Block Assembly
75.	KE 332	#10-32 Hex Nut
76.	KM 309	Lid Safety Switch
77.	KM 363	Lid Switch Mounting Kit
78.	KE 010	Switch Bracket
79.	KF 345	Teflon Switch Actuator